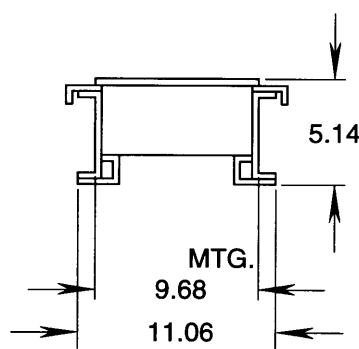


NOMINAL DIMENSIONS,
REFERENCE ONLY

**Cross Reference RA Part
Number 25111-029-12**



PART NO	CHG LTR	NUMBER OF 1 POLE CIRCUITS AVAILABLE	REF. DIM. INCHES		PANEL BUS MATERIAL (MAT./PLATING)	CUTLER-HAMMER STYLE NUMBER REFERENCE ONLY
			A	B		
-01	A	18	12.00	9.00	Al	SL1A134L2A
-02	A	30	18.00	15.00	Al	SL1A194L2A
-03	A	42	24.00	21.00	Al	SL1A254L2A
-04	A	18	12.00	9.00	Cu	SL1A134L2C
-05	A	30	18.00	15.00	Cu	SL1A194L2C
-06	A	42	24.00	21.00	Cu	SL1A254L2C
-07	A	18	12.00	9.00	Cu/Silver	SL1A134L2S
-08	A	30	18.00	15.00	Cu/Silver	SL1A194L2S
-09	A	42	24.00	21.00	Cu/Silver	SL1A254L2S
-10	A	18	12.00	9.00	Cu/Tin	SL1A134L2T
-11	A	30	18.00	15.00	Cu/Tin	SL1A194L2T
-12	A	42	24.00	21.00	Cu/Tin	SL1A254L2T

REFERENCE		LIGHTING AND DISTRIBUTION PNLBD		THIS DRAWING IS THE PROPERTY OF THE ALLEN-BRADLEY CO. INC. AND MAY NOT BE COPIED, USED OR DISCLOSED FOR ANY PURPOSE EXCEPT AS AUTHORIZED IN WRITING BY THE ALLEN-BRADLEY CO. INC. LOCATION: MILWAUKEE, WISCONSIN U.S.A.	
REVISION AUTHORIZATION 1 50289-00		CHASSIS W/SEPARATE MCC NEUTRAL 3 PH, 4-WIRE - 225A MAIN LUG ONLY C-H MODEL PRL1a			
DIMENSIONS APPLY BEFORE SURFACE TREATMENT (DIMENSIONS IN INCHES) TOLERANCES UNLESS OTHERWISE SPECIFIED .XX: ± .02 .XXX: ± .005 ANGLES: ± 1°					
		DR. <i>T. L...</i> DATE 10/13/00 CHKD. <i>S. B...</i> DATE 10-18-00 APPD. <i>G. BRUSKI</i> DATE 10-23-00			
		DWG. SIZE A		SHEET 2 OF 2 25111-029	