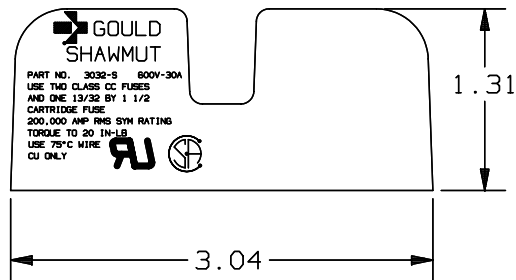
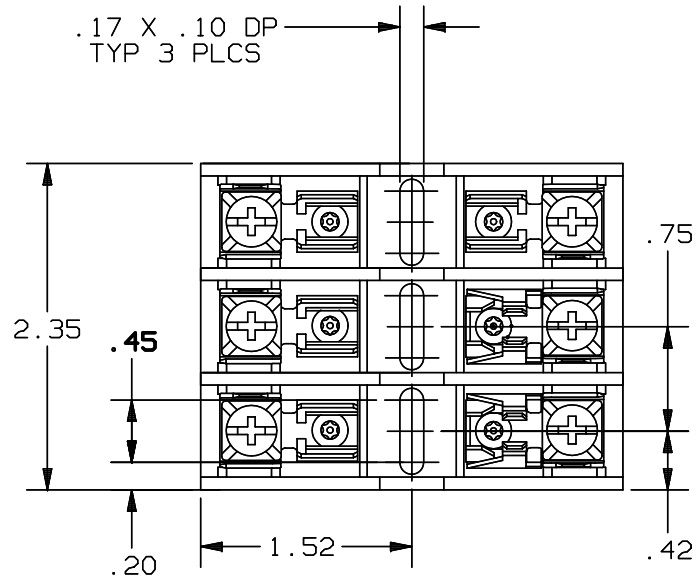


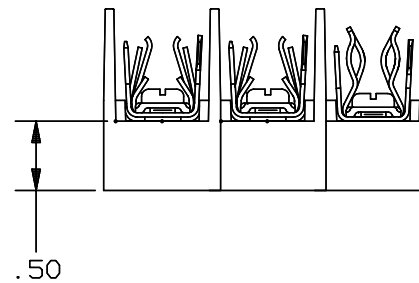
Cross Reference RA Part 25162-179-02

00 5/91 RELEASED BM
 01 7/92 088 REVISED PER ECO GO
 02 6/93 1128 REVISED UL GUIDE KS
 03 1/94 1323 ADDED LABELING



P/N	CONN TYPE	RMS SYM RATING	TORQUE (IN-LBS)	°C WIRE	U/L		CSA
					FILE NO.	GUIDE NO.	REPORT NO.
3032-S	PP	200K	20	75	E52283	IZLT2	LR32169

BP



P/N 3032-S

2. 600V-30A, M/CC 3 POLE

1. MATL COMPOSITION AND RATING:
 THERMOPLASTIC-125°C RTI.

NOTES: UNLESS OTHERWISE SPECIFIED

GHO 5/91

AE 7/92

FUSE BLOCK

05B0344