

# Product Details and Certifications

 RA Part Number: **25645-009-14**

Description: Current Transformer Model 8RL, Ratio 2500:5,  $\pm 1\%$   
Accuracy, 50 VA Burden at 60 Hz



Representative Photo Only (actual product may vary based on configuration selections)

---

## ***CURRENT TRANSFORMER DATA***

Current Ratio	2500:5 A
Accuracy at 60 Hz (%)	$\pm 1\%$
Burden at 60 Hz (VA)	50 VA
Frequency	50-400 Hz
Insulation Level	600 Volts

---

## ***CERTIFICATIONS AND APPROVALS***

UL	1015
CSA	LR89403
CURUS	E93779

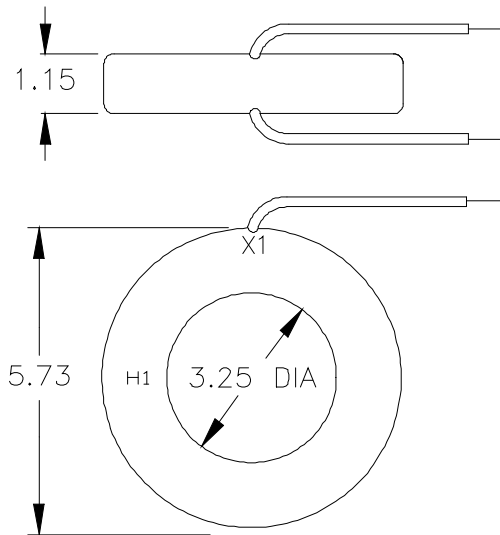


REGULATORY AGENCY APPROVALS



Manufactured to meet the requirements of ANSI/IEEE C57.13.  
Classified by U.L. in accordance with IEC 44-1

## Model 8RL



### APPLICATION:

Metering.

### FREQUENCY:

50-400 Hz.

### INSULATION LEVEL:

600 Volts, 10 kV BIL full wave.

Terminal are brass studs No. 8-32 with one flatwasher, lockwasher and regular nut.

Flexible leads are UL 1015, 105°C, CSA approved, #16 AWG, 24" long. Non-standard, lead length can be specified.

Model 8SHT also available as 8SHL with leads.

Order mounting bracket kit 0221B00183 separately for model 8SHT.

Order bus bar mounting kit 0221A26074 separately, factory installed.

Approximate weight 2.5 lbs.

CATALOG NUMBER	CURRENT RATIO	V.A. ± 1% CLASS	ANSI METERING CLASS AT 60HZ					SECONDARY WINDING RESISTANCE (OHMS @ 75°C)	CONTINUOUS THERMAL RATING FACTOR	
			B0.1	B0.2	B0.5	B0.9	B1.8		@ 30°C	@ 55°C
8**-201	200:5	5.0	1.2	1.2	2.4	4.8	4.8	0.030	2.0	2.0
8**-251	250:5*	7.5	0.6	0.6	1.2	2.4	4.8	0.044	2.0	2.0
8**-301	300:5*	15.0	0.6	0.6	1.2	2.4	2.4	0.049	2.0	2.0
8**-401	400:5*	25.0	0.3	0.3	0.6	1.2	2.4	0.079	2.0	1.5
8**-501	500:5*	35.0	0.3	0.3	0.6	0.6	1.2	0.102	2.0	1.5
8**-601	600:5*	50.0	0.3	0.3	0.6	0.6	1.2	0.147	1.5	1.33
8**-751	750:5*	50.0	0.3	0.3	0.6	0.6	1.2	0.184	1.5	1.0
8**-801	800:5*	60.0	0.3	0.3	0.3	0.6	0.6	0.197	1.5	1.0
8**-102	1000:5*	75.0	0.3	0.3	0.3	0.6	0.6	0.246	1.33	1.0
8**-122	1200:5*	75.0	0.3	0.3	0.3	0.3	0.6	0.169	1.5	1.0
8**-152	1500:5*	90.0	0.3	0.3	0.3	0.3	0.6	0.316	1.33	1.0
8**-162	1600:5*	100.0	0.3	0.3	0.3	0.3	0.6	0.337	1.33	0.8
8**-202	2000:5*	120.0	0.3	0.3	0.3	0.3	—	0.422	1.0	0.8
<b>8**-252</b>	<b>2500:5*</b>	<b>50.0</b>	<b>0.3</b>	<b>0.3</b>	<b>0.3</b>	<b>0.3</b>	<b>—</b>	<b>0.438</b>	<b>1.0</b>	<b>0.8</b>
8**-302	3000:5	60.0	0.3	0.3	0.3	0.3	—	0.526	1.0	0.8
8**-322	3200:5	70.0	0.3	0.3	0.3	0.3	—	0.561	1.0	0.8
8**-402	4000:5	80.0	0.3	0.3	0.3	0.3	—	0.973	0.8	0.8

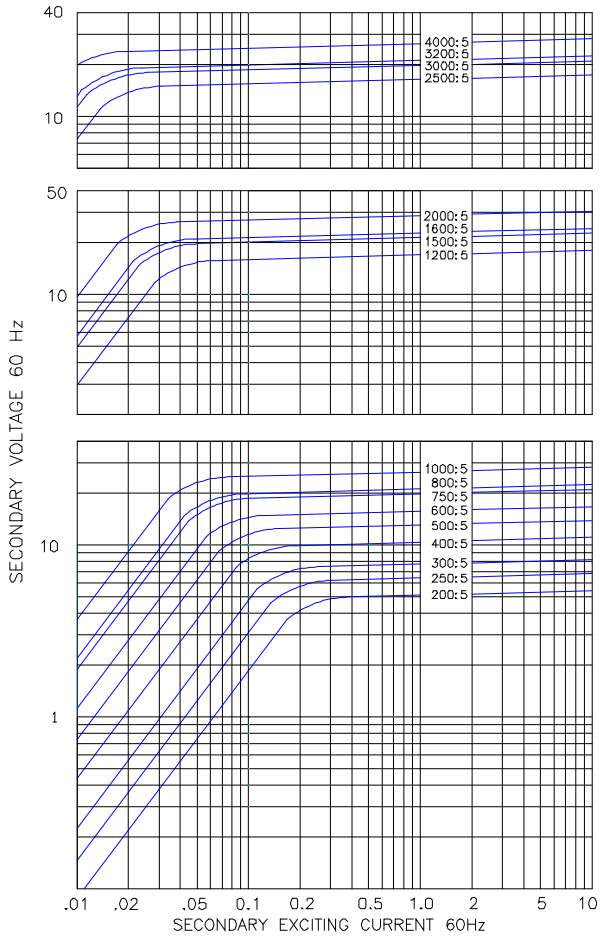


\*\*Note: When ordering, prefix Cat No. with model designation required i.e. 8SHT-201, 8RL-301, etc.

\*Approved for revenue metering by Industry Canada No. T-188

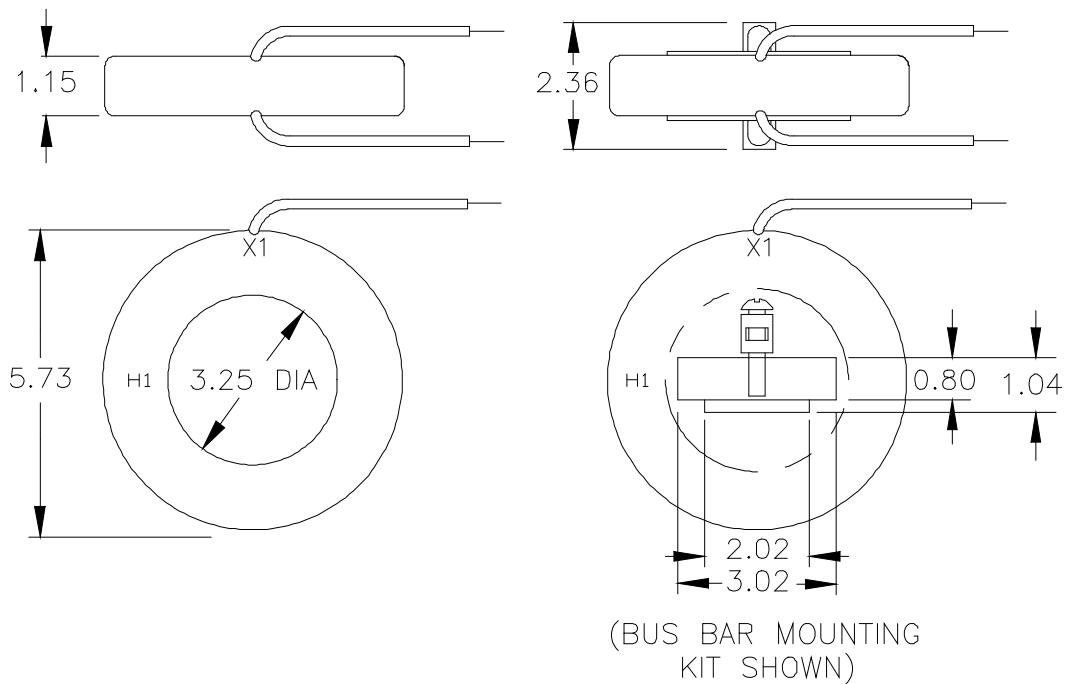
# Model 8

EXCITATION CURVE



Model 8SHT

Model 8RL



(BUS BAR MOUNTING KIT SHOWN)

**USA, Canada, Asia, Latin America**

Tel: +1-800-547-8629

Fax: +1-905-201-2455

e-mail: [sales.multilin@ge.com](mailto:sales.multilin@ge.com)

**Europe, Middle East, Africa**

Tel: +34-94-485-88-00

Fax: +34-94-485-88-45

e-mail: [gemultilin.euro@ge.com](mailto:gemultilin.euro@ge.com)

Please refer to our website [www.digitalenergy.com](http://www.digitalenergy.com) for more detailed contact information