

# Product Details and Certifications

→ RA Part Number: **25645-015-02**

Description: Current Transformer Model 560, Ratio 1200:5



Representative Photo Only (actual product may vary based on configuration selections)

---

## ***CURRENT TRANSFORMER DATA***

Current Ratio	1200:5 A
Frequency	50-400 Hz
Insulation Level	600 Volts

---

## ***CERTIFICATIONS AND APPROVALS***

UL	1015
CSA	LR89403
CURUS	E93779

# CURRENT TRANSFORMER

Model 560

Window Size 3.25" X 4.25"

APPLICATION:  
Metering.

FREQUENCY:  
50-400 Hz.

INSULATION LEVEL:  
0.6 kV, BIL 10 kV full wave.

INSULATION SYSTEM:  
Temperature Class H (180°C.)

CONTINUOUS THERMAL  
RATING FACTOR:

1.33 at 30°C. amb.

1.0 at 55°C. amb.

- Terminals are brass studs No. 10-32 with one flatwasher, lockwasher and regular nut.
- Approximate weight 6 lbs.

REGULATORY AGENCY APPROVALS



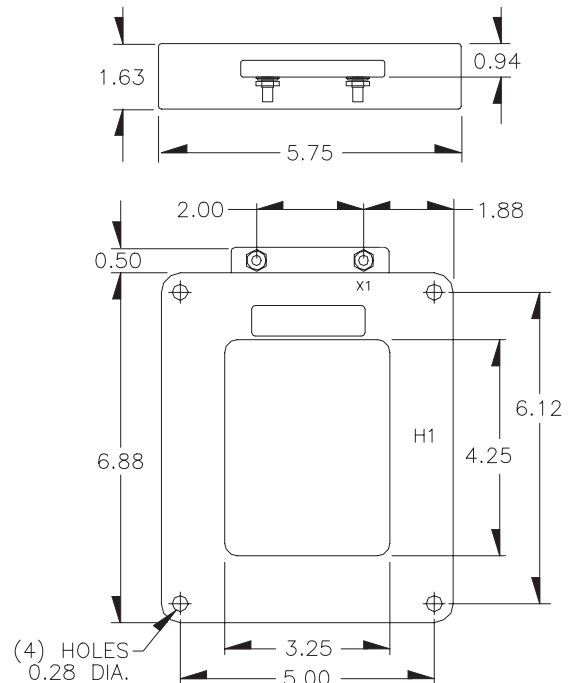
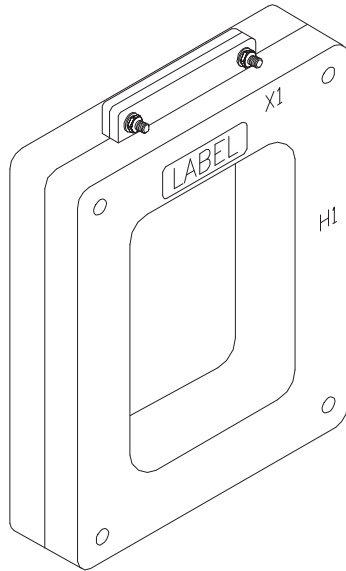
E93779



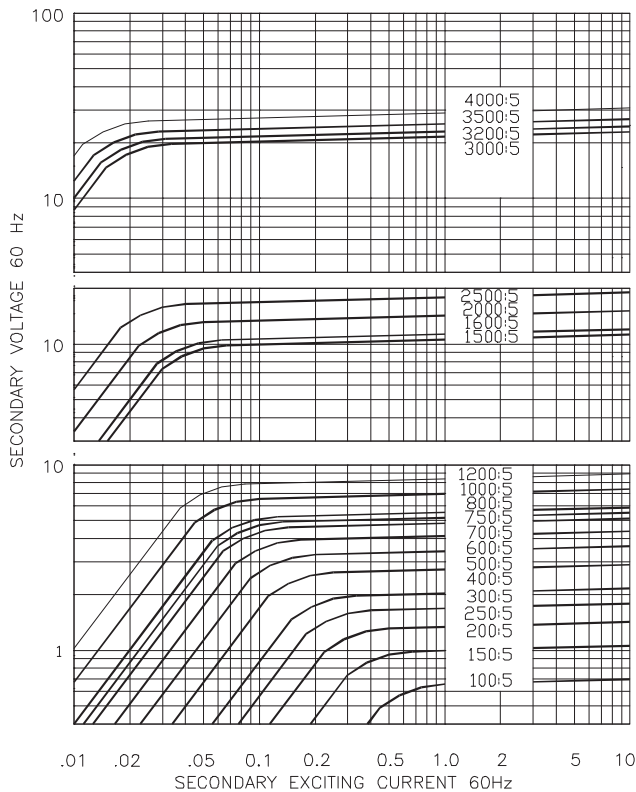
LR89403

Manufactured to meet the requirements of ANSI/IEEE C57.13.  
Classified by U.L. in accordance with IEC 44-1

Approved for revenue metering by Industry Canada. No. AE-0659(\*)



EXCITATION CURVE



CATALOG NUMBER	CURRENT RATIO	ANSI METERING CLASS AT 60 Hz					SECONDARY WINDING RESISTANCE (OHMS @ 75°C.)
		B0.1	B0.2	B0.5	B0.9	B1.8	
560-101	100:5	2.4	-	-	-	-	0.012
560-151	150:5	1.2	2.4	-	-	-	0.017
560-201	200:5	1.2	1.2	-	-	-	0.023
560-251	250:5 *	0.6	1.2	2.4	-	-	0.038
560-301	300:5 *	0.6	0.6	1.2	-	-	0.045
560-401	400:5 *	0.6	0.6	1.2	2.4	-	0.095
560-501	500:5 *	0.3	0.3	0.6	1.2	2.4	0.118
560-601	600:5 *	0.3	0.3	0.6	1.2	1.2	0.142
560-751	750:5 *	0.3	0.3	0.3	0.6	1.2	0.178
560-801	800:5 *	0.3	0.3	0.3	0.6	0.6	0.190
560-102	1000:5 *	0.3	0.3	0.3	0.6	0.6	0.211
<b>560-122</b>	<b>1200:5 *</b>	<b>0.3</b>	<b>0.3</b>	<b>0.3</b>	<b>0.3</b>	<b>0.6</b>	<b>0.253</b>
560-152	1500:5 *	0.3	0.3	0.3	0.3	0.6	0.368
560-162	1600:5 *	0.3	0.3	0.3	0.3	0.6	0.262
560-202	2000:5 *	0.3	0.3	0.3	0.3	0.6	0.328
560-252	2500:5 *	0.3	0.3	0.3	0.3	0.3	0.410
560-302	3000:5 *	0.3	0.3	0.3	0.3	0.3	0.347
560-322	3200:5 *	0.3	0.3	0.3	0.3	0.3	0.370
560-402	4000:5 *	0.3	0.3	0.3	0.3	0.3	0.462