



Hammond Power Solutions Inc.

TITLE: 3PH DISTRIBUTION TRANSFORMER
NAMEPLATE INFORMATION

NO.	DATE	BY	REVISION	DES: GPATEL
				DATE: 07/10/23
				SCALE: NTS

SHEET 1 OF 2

EDB154205200

0.2 schhibb 2010/12/18 05:50

THREE PHASE DRY TYPE TRANSFORMER
ALLEN-BRADLEY
MILWAUKEE, WI. USA



LR3902



E112313

P/N

40022-052-07

KVA

15

CLASS

AN

TYPE

J

TEMP. RISE °C

80

TEMP. CLASS °C

180

FREQ. Hz

60

IMPEDANCE %
@ 100 °C

4.8

ENCL. TYPE

-

WEIGHT LBS

170

INS. SYSTEM

180-1

SERIAL NO:

cab3001e

VOLTS	% RATED VOLTAGE	CONNECTION
630	105	1-2
615	102.5	2-3
600	100	3-4
585	97.5	4-5
570	95	5-6

154205200

HV

600V

V

BILL kV

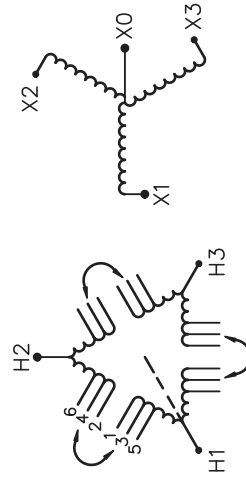
-

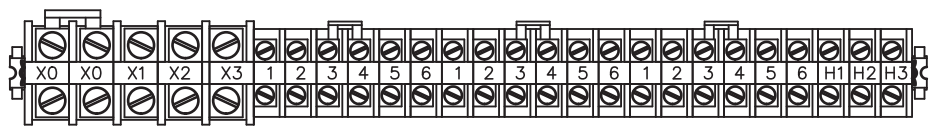
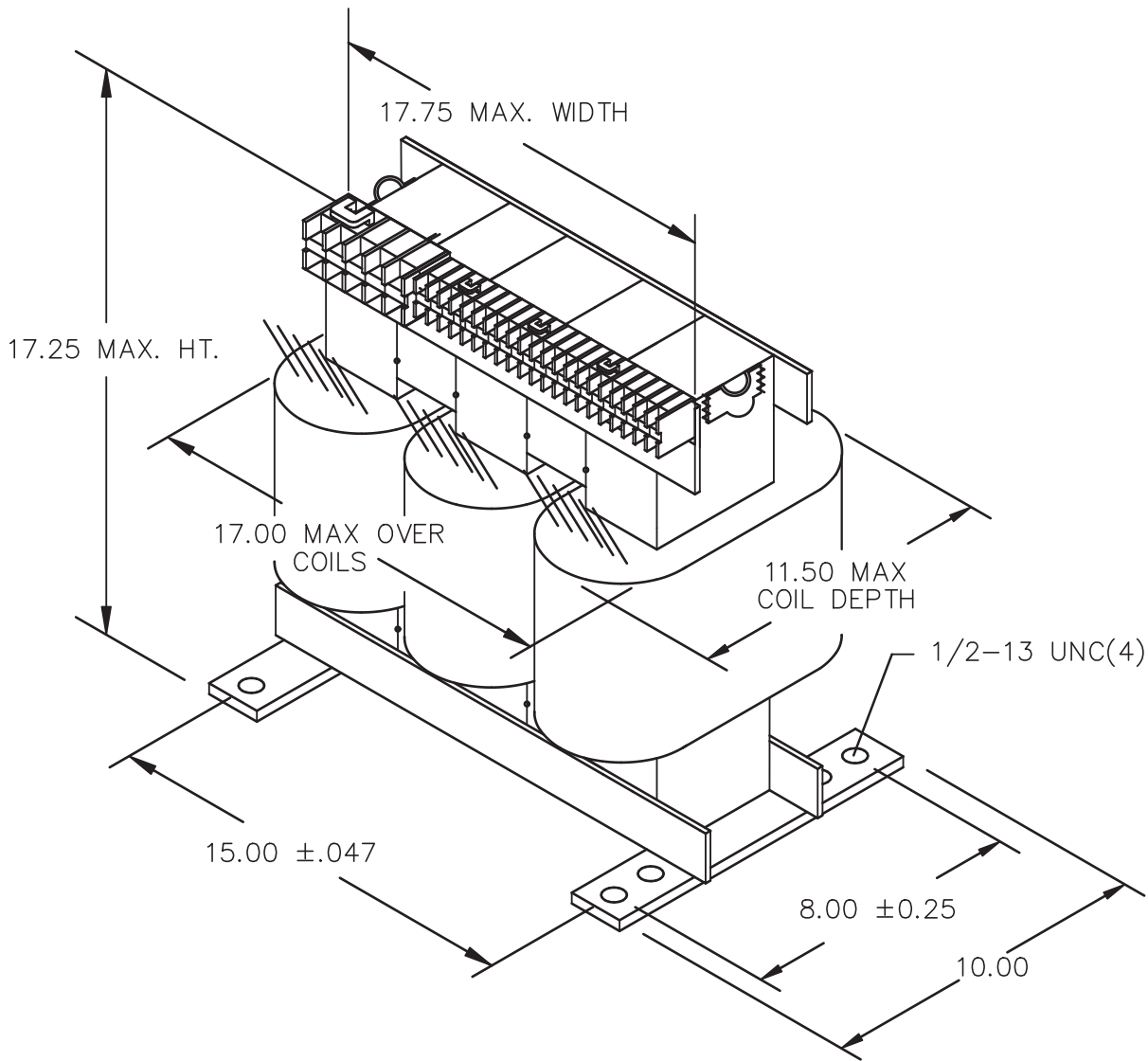
LV

208Y/120V

H1 H2 H3

X0 X1 X2 X3





TERMINAL BLOCKS PER ALLEN BRADLEY DWG. 40022-052 PART NO. 7

NOTES : EXTRA HOLES ON BASE PLATE FOR MOUNTING TO SHIPPING SKID.



TITLE: 3PH DISTRIBUTION TRANSFORMER MECHANICAL INFORMATION				
				DES: GPATEL
				DATE: 07/10/23
NO.	DATE	BY	REVISION	SCALE: NTS

SHEET 2 OF 2

EDB154205200

05:30 8/12/10/102 qbhhps 2.0