



**Hammond Power Solutions Inc.**

TITLE: 3PH DISTRIBUTION TRANSFORMER  
NAMEPLATE INFORMATION

NO.	DATE	BY	REVISION	DES: GPATEL
				DATE: 07/02/26
				SCALE: NTS

SHEET 1 OF 2

EDB154602700

0.0 jwen 2009/08/12 16:55

THREE PHASE DRY TYPE TRANSFORMER  
**ALLEN-BRADLEY**  
MILWAUKEE, WI. USA



LR3902



E112313

P/N 40022-053-04

KVA 45

CLASS AN

TYPE J

TEMP. RISE °C 80

TEMP. CLASS °C 180

FREQ. Hz 60

IMPEDANCE % @ 100 °C 4.4

ENCL. TYPE -

WEIGHT LBS 350

INS. SYSTEM 180-1

SERIAL NO:

cab3001e

VOLTS	% RATED VOLTAGE	CONNECTION
630	105	1-2
615	102.5	2-3
600	100	3-4
585	97.5	4-5
570	95	5-6

154602700  
REV.G

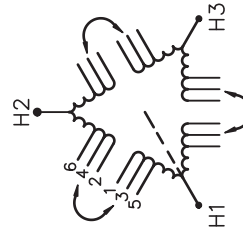
HV

600V

V

BILL  
KV

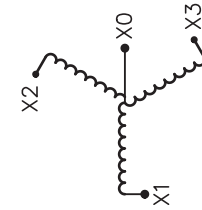
H1 H2 H3

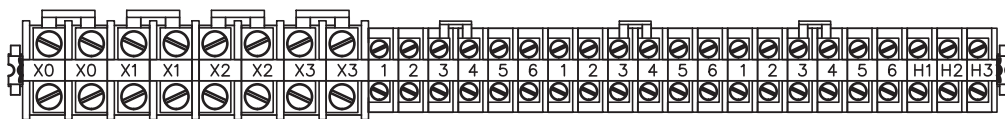
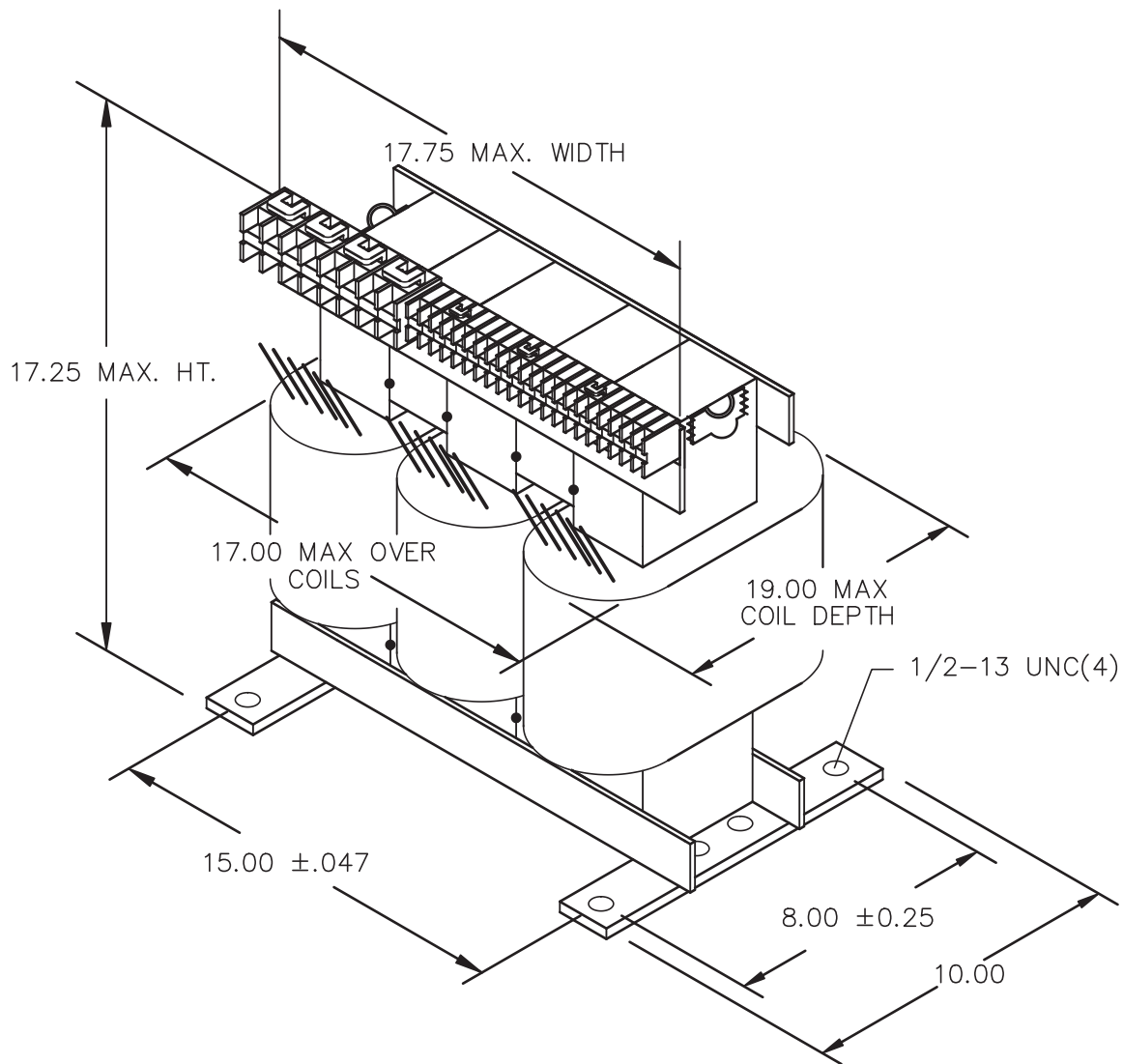


LV

208Y/120V

X0 X1 X2 X3





TERMINAL BLOCKS PER ALLEN BRADLEY DWG. 40022-053 PART NO. 2

NOTES : EXTRA HOLES ON BASE PLATE FOR MOUNTING TO SHIPPING SKID.



TITLE: 3PH DISTRIBUTION TRANSFORMER  
MECHANICAL INFORMATION

				DES: GPATEL
				DATE: 07/02/26
NO.	DATE	BY	REVISION	SCALE: NTS

SHEET 2 OF 2

EDB154602700

0.0 j.wen 2009/08/12 16:55