

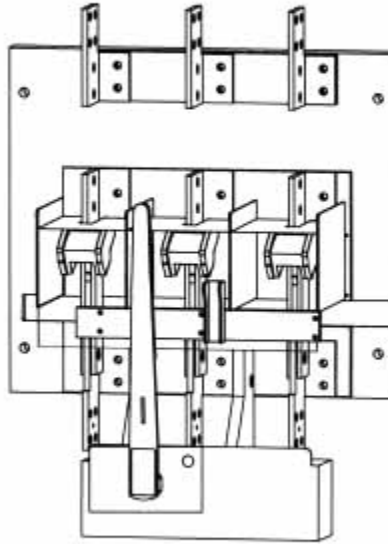
BOTTOM FEED SWITCHES RATED 480 VOLT AC

SERIES VLB (Dwg. 0-1103)

CATALOG NUMBERS

Amp.	2-P 2-W	2-P 3-W	3-P 3-W	3-P 4-W	4-P 4-W
800	VLB247	VLB347N	VLB347	VLB447N	VLB447
1200	VLB248	VLB348N	VLB348	VLB448N	VLB448
1600	VLB249	VLB349N	VLB349	VLB449N	VLB449
2000	VLB2410	VLB3410N	VLB3410	VLB4410N	VLB4410
2500	VLB2411	VLB3411N	VLB3411	VLB4411N	VLB4411
3000	VLB2412	VLB3412N	VLB3412	VLB4412N	VLB4412

Shunt Trip Operator, add suffix -ST
 Motorized Shunt Trip Operator, add suffix -MST

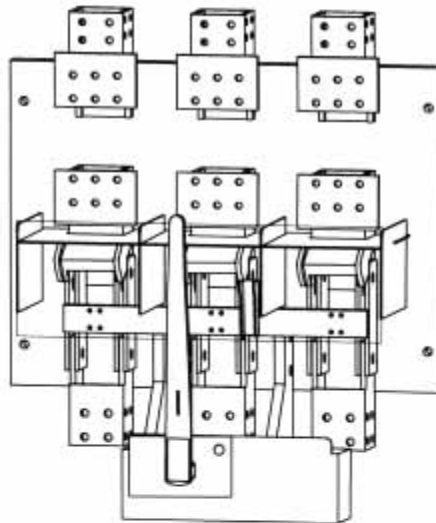


SERIES SLB (Dwg. 0-1116)

CATALOG NUMBERS

Amp.	2-P 2-W	2-P 3-W	3-P 3-W	3-P 4-W
4000	SLB2413	SLB3413N	SLB3413	SLB4413N
5000*	SLB2414		SLB3414	
6000*	SLB2415		SLB3415	

Shunt Trip Operator, add suffix -ST
 Motorized Shunt Trip Operator, add suffix -MST
 * Not U.L. Listed



SERIES VLB & SLB

WITH INTEGRAL GROUND FAULT PROTECTION

Switches have integrally mounted ground fault relay and sensor, control transformer, shunt trip operator, and neutral (when applicable). Units are factory wired and tested.

800-3000 Amp. Dwg. O-1291

4000 Amp. Dwg. O-1330

CATALOG NUMBERS

Amp.	2-P 3-W 120/240V	3-P 3-W 240V	3-P 4-W 208Y/120V	3-P 4-W 240/120V	3-P 3-W 480V	3-P 4-W 480Y/277V	3-P 4-W 380Y/220V
800	VLB347G1	VLB347G2	VLB347G3	VLB347G4	VLB347G5	VLB347G6	VLB347G9
1200	VLB348G1	VLB348G2	VLB348G3	VLB348G4	VLB348G5	VLB348G6	VLB348G9
1600	VLB349G1	VLB349G2	VLB349G3	VLB349G4	VLB349G5	VLB349G6	VLB349G9
2000	VLB3410G1	VLB3410G2	VLB3410G3	VLB3410G4	VLB3410G5	VLB3410G6	VLB3410G9
2500	VLB3411G1	VLB3411G2	VLB3411G3	VLB3411G4	VLB3411G5	VLB3411G6	VLB3411G9
3000	VLB3412G1	VLB3412G2	VLB3412G3	VLB3412G4	VLB3412G5	VLB3412G6	VLB3412G9
4000	SLB3413G1	SLB3413G2	SLB3413G3	SLB3413G4	SLB3413G5	SLB3413G6	SLB3413G9

Motorized Shunt Trip Operator, add suffix -MST

boltswitch[®]

FUSED POWER CIRCUIT DEVICES

OPEN TYPE SWITCHES FOR MOUNTING IN DEAD FRONT SWITCHBOARDS

SERIES VL- TOP FEED
800 THROUGH 3000 AMPERE

SERIES SL- TOP FEED
4000 THROUGH 6000 AMPERE



SERIES VLB- BOTTOM FEED
800 THROUGH 3000 AMPERE

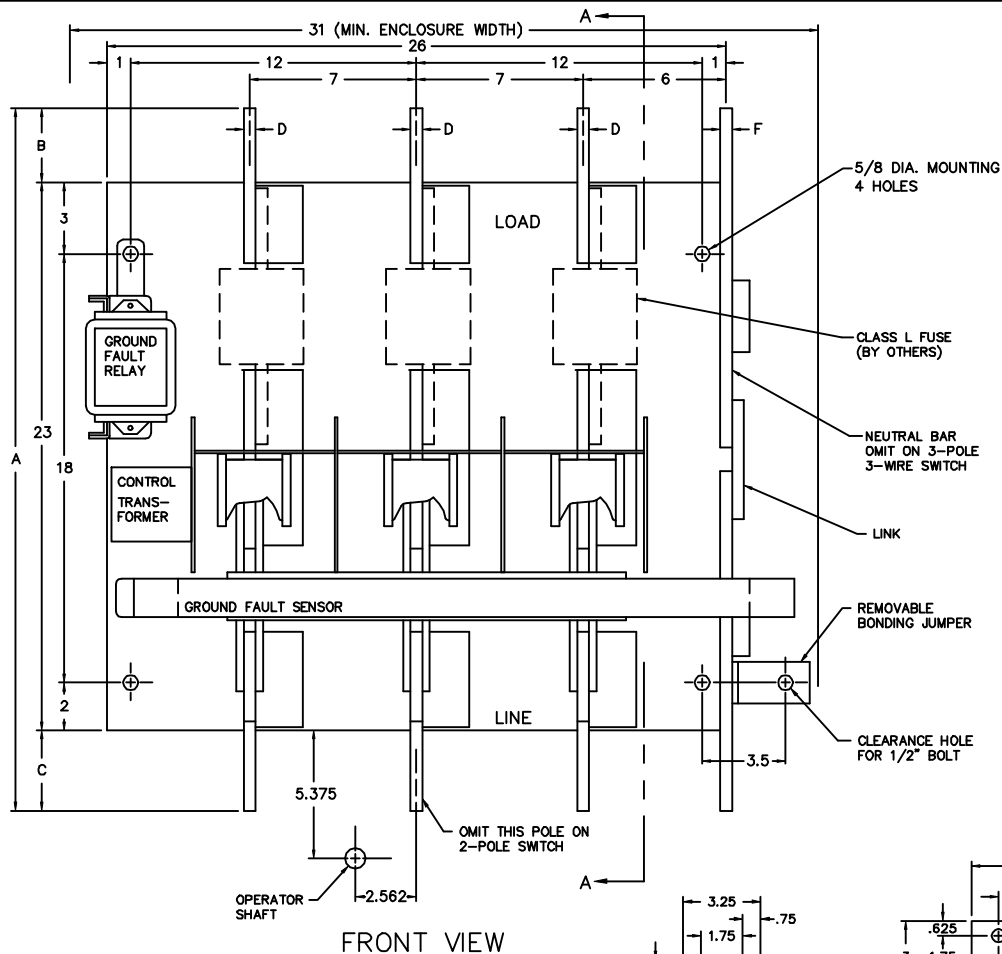
SERIES SLB- BOTTOM FEED
4000 THROUGH 6000 AMPERE



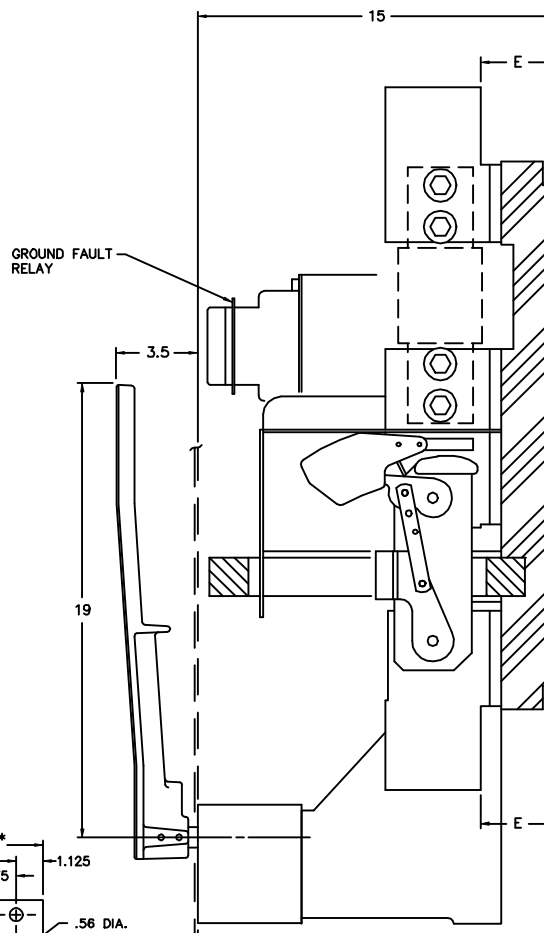
ALL SWITCHES 800-4000 AMPERE HAVE BEEN TESTED IN ACCORDANCE WITH UL977, AND ARE UL LISTED AS "FUSED POWER CIRCUIT DEVICES" UNDER FILE NO. E44498.

APPLICATION: PARTICULARLY RECOMMENDED FOR USE IN SERVICE ENTRANCE SWITCHGEAR, AND/OR WHERE THERE MAY BE HIGH AVAILABLE FAULT CURRENT. THEY WILL RECEIVE CLASS L FUSES.

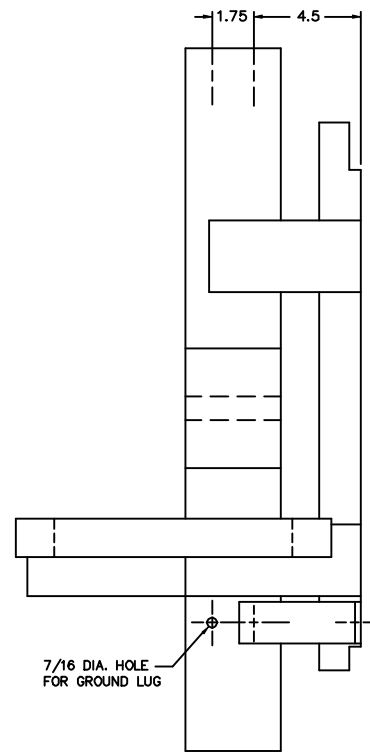
FEATURES: 200,000 AMPERE FAULT CURRENT RATINGS • BOLTED PRESSURE CONTACTS • LOAD BREAK DESIGN • QUICK-MAKE QUICK-BREAK OPERATORS • VISIBLE CONTACTS • SILVER PLATED COPPER CURRENT CARRYING PARTS • GRID TYPE ARC CHUTES • INTERPOLE BARRIERS • TERMINALS DESIGNED FOR LUGS OR BUS BARS • PROVISIONS FOR UP TO THREE PADLOCKS.



FRONT VIEW

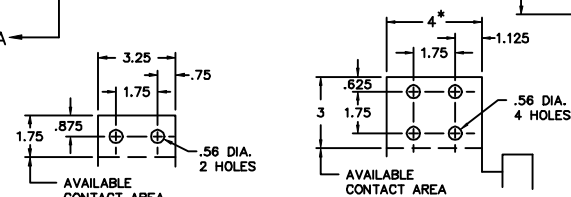


SECTION A-A



SIDE VIEW
(ILLUSTRATES NEUTRAL ONLY)

NOTE: FOR WIRING DIAGRAM OF GROUND FAULT RELAY REFER TO DWG. NO. 0-1431.



800 A. TERMINAL

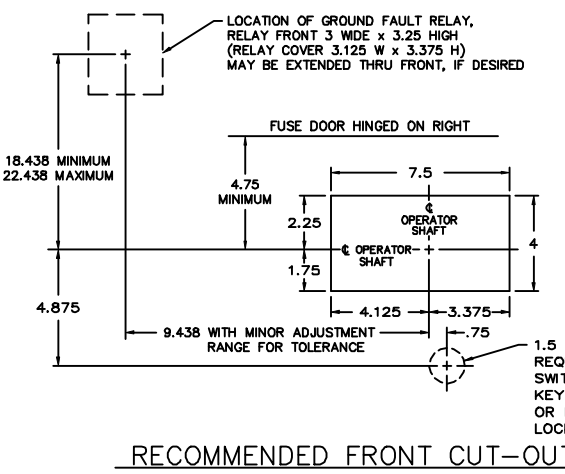
1200-3000 A. TERM.

* 4.438 ON 3000 A. POLES ONLY

VENTILATION
WHEN THE SWITCH IS TOTALLY ENCLOSED, VENTILATING LOUVERS MUST BE PROVIDED YIELDING A MINIMUM OPEN AREA OF "H" SQUARE INCHES NEAR THE TOP OF THE ENCLOSURE, AND "H" SQUARE INCHES NEAR THE BOTTOM OF THE ENCLOSURE.

OPERATOR DETAILS
FOR OPERATOR DETAILS AND ALTERNATE FRONT CUT-OUTS, REFER TO DWG. NO. 0-1090A

KEY INTERLOCK
KEY INTERLOCK SPECIFICATIONS FOR SWITCHES EQUIPPED WITH KEY INTERLOCK PROVISIONS ARE:
.375 BOLT PROJECTION WHEN WITHDRAWN
- KIRK TYPE B
- SUPERIOR TYPE B6003



RECOMMENDED FRONT CUT-OUT

AMP	CATALOG † NUMBER	NET WEIGHT	A	B	C	D	E	F	H
800	VLB347-G6	214	27	1.625	2.375	.375	3	.25	NONE
1200	VLB348-G6	216	29.5	3.125	3.375	.375	3	.31	NONE
1600	VLB349-G6	218	29.5	3.125	3.375	.375	3	.375	60 SQ. IN.
2000	VLB3410-G6	235	29.5	3.125	3.375	.5	3.125	.5	60 SQ. IN.
2500	VLB3411-G6	250	29.5	3.125	3.375	.625	3.125	.625	80 SQ. IN.
3000	VLB3412-G6	262	29.5	3.125	3.375	.75	3.125	.75	120 SQ. IN.

† CATALOG NO. AS SHOWN IS FOR 3 POLE, 4 WIRE, 277/480 VOLT SYSTEMS. SUFFIX "6" WILL CHANGE FOR OTHER SYSTEMS AS FOLLOWS:

POLE	WIRE	VOLTAGE	SUFFIX
2	3	120/240	1
3	3	240	2
3	4	120/208	3
3	4	120/240	4
3	3	480	5
3	3	600	7 ††
3	4	347/600	8 ††
3	4	220/380	9

†† SUFFIX 7 & 8 ARE NOT AVAILABLE ON 2500 AND 3000 AMP

SERIES VLB SWITCHES WITH INTEGRAL GROUND FAULT ELEMENT

SCALE: 11-27-90 APPROVED BY: DRAWN BY: WCE
REVISED 11

boltswitch, inc.
CRYSTAL LAKE, ILLINOIS 60014

DRAWING NUMBER
0-1291

REV. 11 8-19-99 JAE, ADDED SUFFIX -G7 & -G8 ON 800-2000A
REV. 10 3-20-96 WCE, UPDATED FOR MOLDED BASE