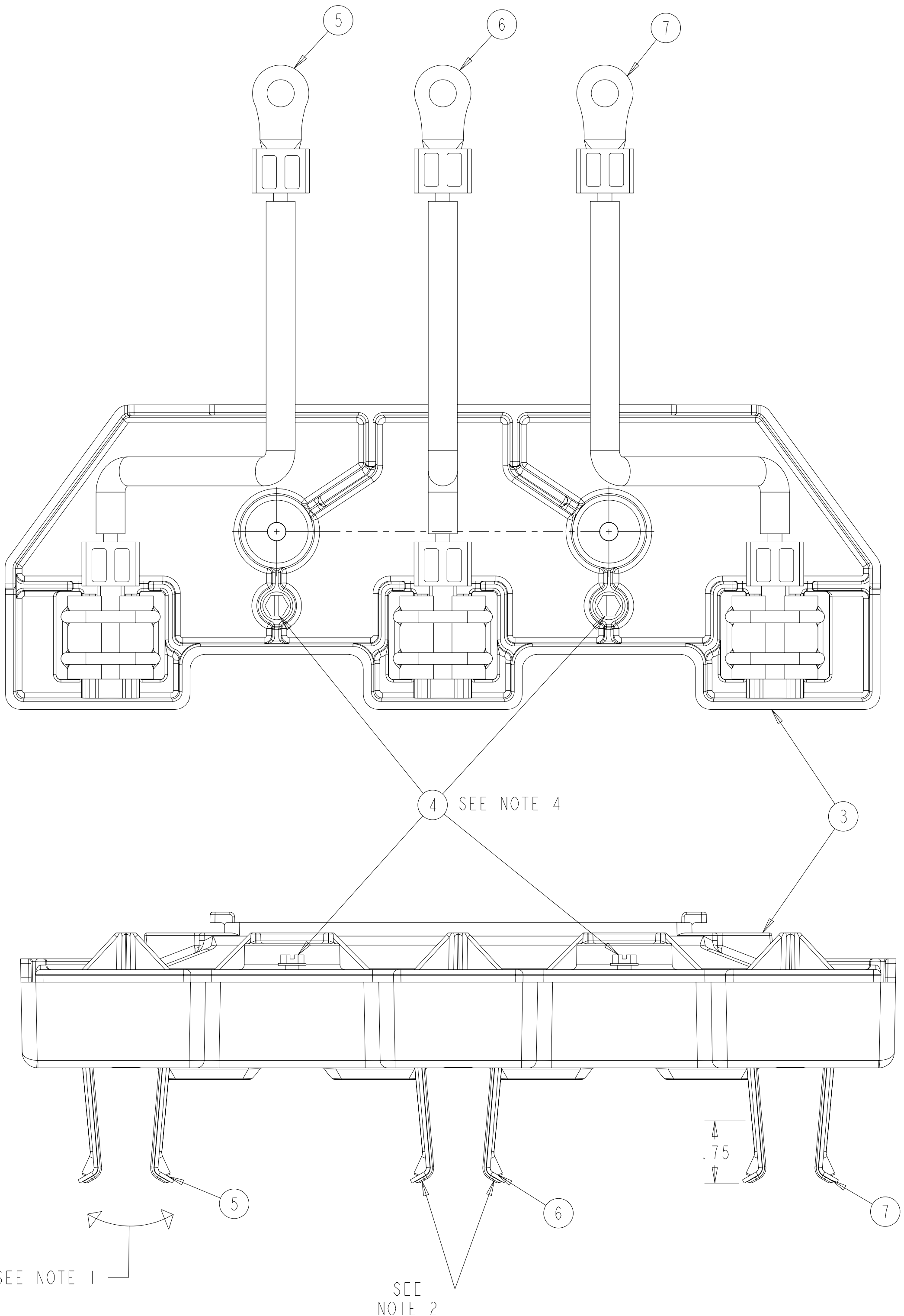


PARTS MUST CONFORM
TO APPLICABLE
ALLEN-BRADLEY CO.
WORKMANSHIP STANDARD
40126-700

A
B
C
D
E
F
G
H



SEE NOTE 1

SEE NOTE 4

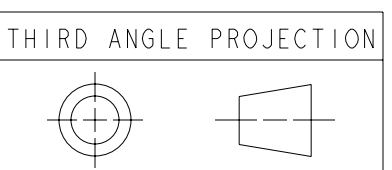
SEE NOTE 3

SEE NOTE 1

SEE NOTE 2

GENERAL NOTES:

- 1) LEADS MUST BE CRIMPED AND FORMED SO THAT WHEN THEY ARE ASSEMBLED, MOVEMENT OF STABS IN DIRECTION SHOWN, WILL NOT BE RESTRICTED.
- 2) LUBRICATE INSIDE OF STABS WITH T9329-101 AND DIMENSION SHOWN BELOW.
- 3) MAXIMUM ANGULAR MISALIGNMENT OF STABS IN EITHER DIRECTION.
- 4) TORQUE RANGE FOR INSTALLATION OF ITEM #4 IS 7 INCH LBS.
ONE SCREW CALLED OUT FOR STAB ASSEMBLIES WITH #10, #8, #6, OR 2-#10 WIRES. TWO SCREWS CALLED OUT FOR OTHER WIRE SIZES.




REVISION AUTHORIZATION		REFERENCES		PLUG-IN STAB ASSEMBLY FOR BUL 2100 MOTOR CONTROL UNITS		FILE NAME	40120_410	PRB
64	21159-09	40126-802, -820 THRU -828				CONFIDENTIAL AND PROPRIETARY INFORMATION THIS DOCUMENT CONTAINS CONFIDENTIAL AND PROPRIETARY INFORMATION OF ROCKWELL AUTOMATION, INC. AND MAY NOT BE USED, COPIED OR DISCLOSED TO OTHERS, EXCEPT WITH THE AUTHORIZED WRITTEN PERMISSION OF ROCKWELL AUTOMATION, INC.		
		DIMENSIONS APPLY BEFORE SURFACE TREATMENT DIMENSIONS IN INCHES TOLERANCES UNLESS OTHERWISE SPECIFIED				DR.	M. JUTZ	DATE
		.XX: ± .02		CHKD.	N/A	DATE	N/A	DWG SIZE C
		.XXX: ± .005		APPD.	C. MALKOWSKI	DATE	1-30-78	40120-410
		ANGLES: ± 1°						PCP Pro/E Document

NOTE:
 1) FOR 2193 150A FEEDER OR 2113 #4 (MCP) IN REDUCED SPACE FACTOR.
 2) WHEN THIS ASSEMBLY IS USED AS A REPLACEMENT KIT, SUPPLY LUBRICATION KIT 40120-886-01.

PARTS MUST CONFORM TO APPLICABLE ALLEN-BRADLEY CO. WORKMANSHIP STANDARD 40126-700

ITEM	DESCRIPTION	PART NO.	PRT. REQ.	AMOUNT PER ASSEMBLY																								
				ASSY. NO.	CHG. NO.	SUB-TITLE	1	2	3	4	5	6	7	8	9	10	11	12	13	14	15	16	17	18	19	20		
3	STAB MOLDING ASSEMBLY	40126-422-51																										
		40126-422-52																										
		40126-422-53			1	1																						
		40126-422-54					1	1																				
		4	#8-18 X .50 SHWHSST	28173-005-09																								
		5	L1 STAB & WIRE ASSY	40120-420-36																								
				40120-420-45																								
				40120-420-58			1																					
				40120-420-61				1																				
				40120-420-64					1																			
				40120-420-67						1																		
				40120-420-69							1																	
				40120-420-71								1																
				40120-420-73									1															
40120-420-74												1																
6	L2 STAB & WIRE	40120-420-80																										
		40120-420-82																										
		40120-420-84																										
		40120-420-89																										
		40120-420-92																										
		40120-420-95																										
		40120-420-99																										
		40120-577-02																										
		40120-577-03																										
		40120-577-04																										
		40120-577-07																										
		40120-577-09																										
		40120-577-10																										
		40120-577-14																										
7	L3 STAB & WIRE ASSY	40120-577-11																										
		40120-420-35																										
		40120-420-46																										
		40120-420-59																										
		40120-420-62																										
		40120-420-65																										
		40120-420-68																										
		40120-420-70																										
		40120-420-72																										
		40120-420-88																										
		40120-420-75																										
		40120-420-78																										
		40120-420-80																										
		40120-420-82																										
40120-420-84																												
40120-420-90																												
40120-420-93																												
40120-420-96																												
40120-420-98																												
40120-577-01																												
40120-577-05																												
40120-420-86																												
40120-577-08																												
40120-420-36																												
40120-577-13																												
10	LUBRICATION KIT	40120-577-12																										
		40120-420-36																										
		40120-420-45																										
		40120-420-60																										
		40120-420-63																										
		40120-420-66																										
		40120-420-67																										
		40120-420-69																										
		40120-420-71																										
		40120-420-73																										
		40120-420-76																										
		40120-420-79																										
		40120-420-81																										
		40120-420-83																										
40120-420-85																												
40120-420-91																												
40120-420-94																												
40120-420-97																												
40120-420-99																												
40120-577-02																												
40120-577-06																												
40120-420-01																												
40120-577-07																												
40120-577-09																												
40120-577-14																												

H	REVISION AUTHORIZATION	64 21159-09	REFERENCES	40126-802, -820 THRU -828	PLUG-IN STAB ASSEMBLY FOR BUL 2100 MOTOR CONTROL UNITS	FILE NAME	40120_410	PRB	
	DIMENSIONS APPLY BEFORE SURFACE TREATMENT					<small>CONFIDENTIAL AND PROPRIETARY INFORMATION</small> <small>THIS DOCUMENT CONTAINS CONFIDENTIAL AND PROPRIETARY INFORMATION OF ROCKWELL AUTOMATION, INC. AND MAY NOT BE USED, COPIED OR DISCLOSED TO OTHERS, EXCEPT WITH THE AUTHORIZED WRITTEN PERMISSION OF ROCKWELL AUTOMATION, INC.</small>			
	DIMENSIONS IN INCHES					LOCATION: MILWAUKEE, WISCONSIN U.S.A.			
	TOLERANCES UNLESS OTHERWISE SPECIFIED					SHEET 3 OF 4			
.XX: ± .02				DR. M. JUTZ		DATE 1-17-78			
.XXX: ± .005				CHKD. N/A		DATE N/A		DWG SIZE	
ANGLES: ± 1°				APPD. C. MALKOWSKI		DATE 1-30-78		C	
40120-410									

