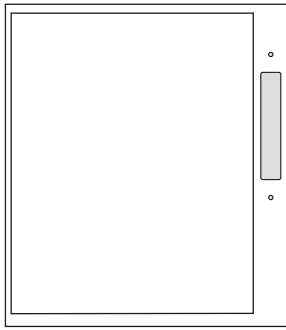


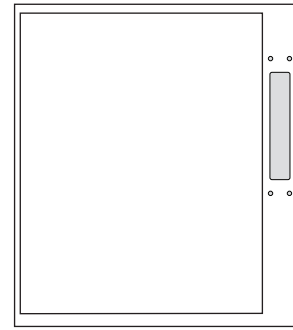
Enclosure with Pre-Drilled Handle Cutout

cross ref
for
40120-495-08

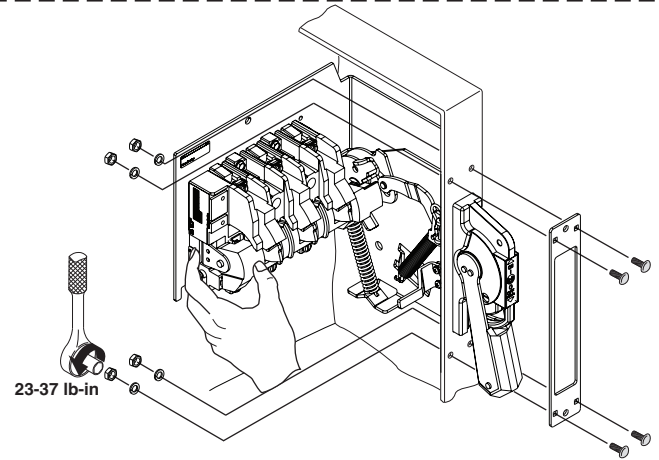
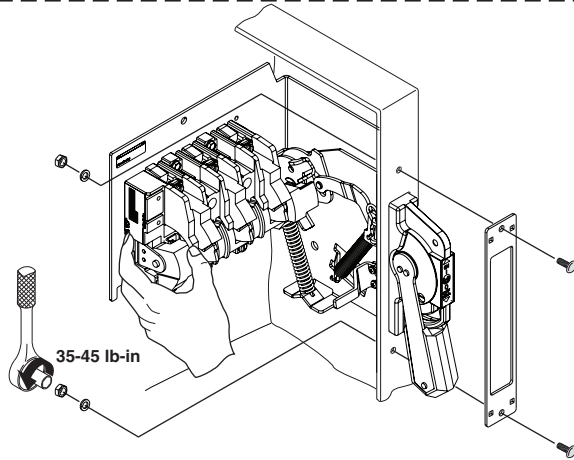
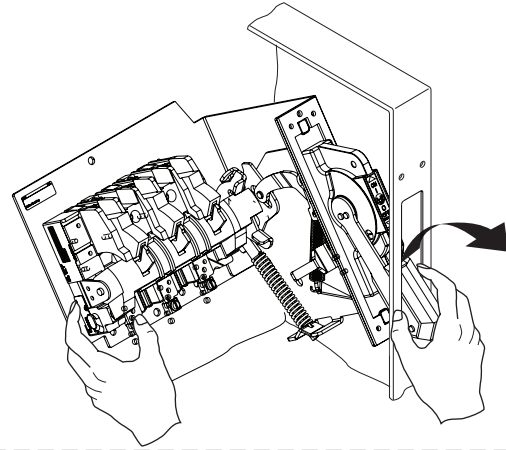
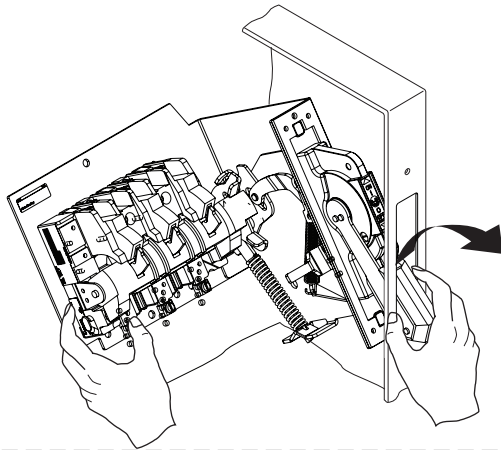
Option 1



Option 2

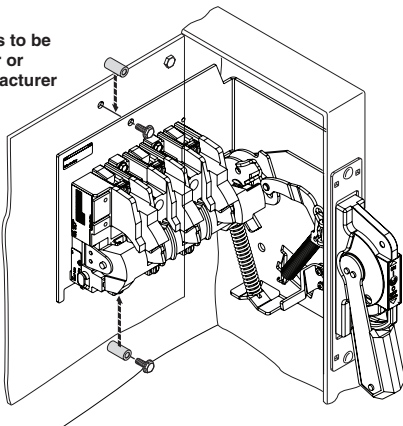


1 Install Disconnect Switch (Left-hand installation unavailable.)

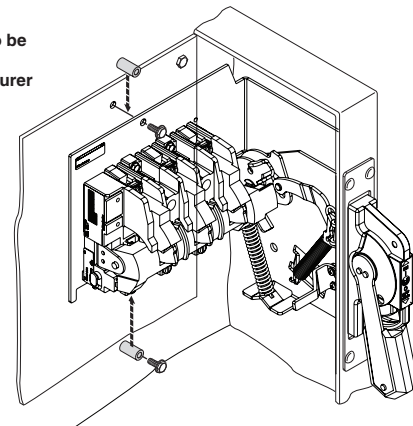


2 Install Disconnect Switch Standoffs

Standoffs & Bolts to be
Provided by User or
Enclosure Manufacturer



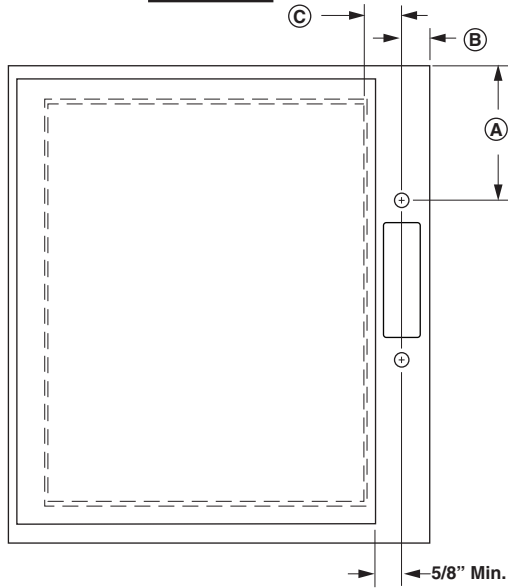
Standoffs & Bolts to be
Provided by User or
Enclosure Manufacturer



Enclosure without Pre-Drilled Handle Cutout

1 Locate Handle

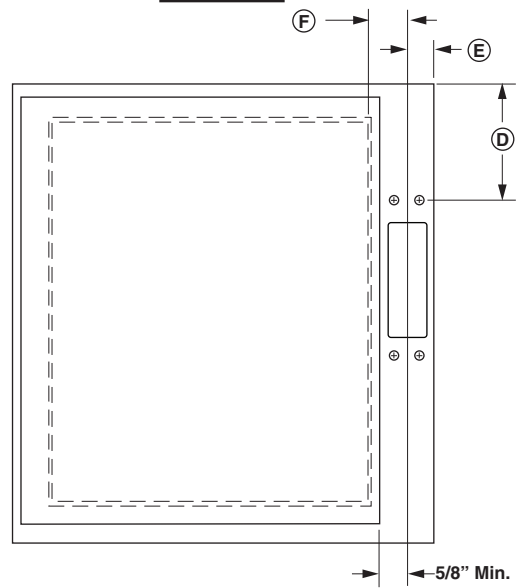
Option 1



Enclosure Flange Cut-Out Dimensions (Option 1)

NEMA SIZE	A (min)	B (min)	C (min)
30A 60A	2-3/4"	1 - 3/16"	1 - 1/16"
100A	4-1/4"	1 - 3/16"	1 - 1/16"
200A	8-1/4"	1 - 3/16"	1 - 1/16"

Option 2

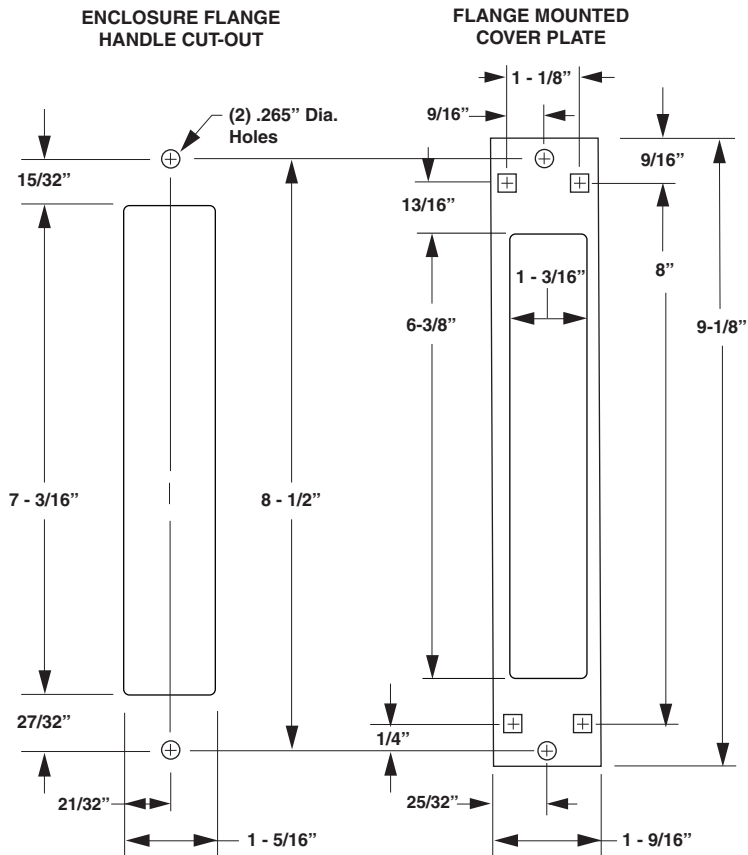


Enclosure Flange Cut-Out Dimensions (Option 2)

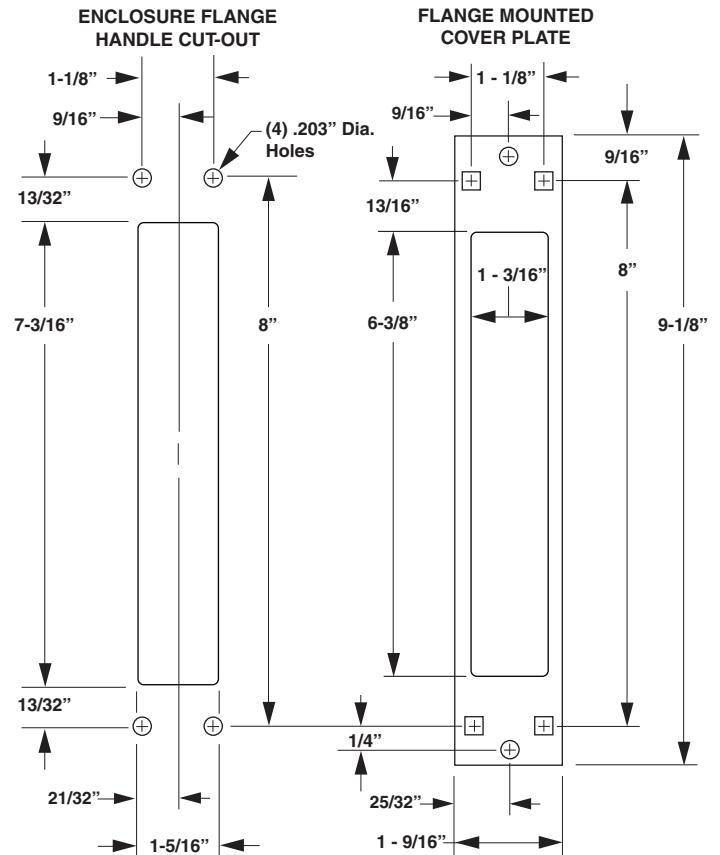
NEMA SIZE	D (min.)	E (min.)	F (min.)
30A 60A	3	1 - 3/16"	1 - 1/16"
100A	4-1/2"	1 - 3/16"	1 - 1/16"
200A	8-1/2"	1 - 3/16"	1 - 1/16"

2 Drill Handle Holes

Option 1



Option 2

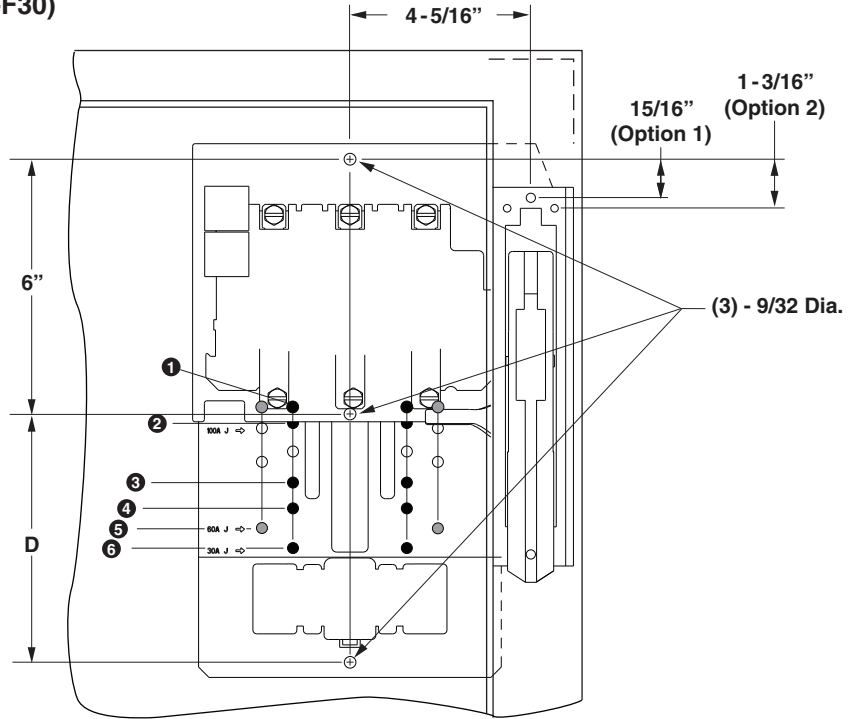


Fuse Block Adapter Plate Installation (Switch Rating **30A** - 60A - 100A)

1 30 Amp Fuse Block Adapter Plate Kit (1494F-F30)

Fuse				
Amps	Voltage	Class	Position	D
30	250	H/R	⑥	2 - 13/16"
30	600	H/R	②	5 - 5/8"
30	600	J	⑥	2 - 13/16"
30	600	HRCII-C	③	4 - 3/16"
60	250	H/R	④	3 - 5/8"
60	600	H/R	①	6 - 1/8"
60	600	J	⑤	3"
60	600	HRCII-C	③	4 - 3/16"

Hardware Torque (lb-in)				
Fuse Amps	Fuse Block Adapter Kit	Fuse Clip	Lug to Terminal	Wire into Lug
30	40-60	22-37	20-25	20-25
60				



60 Amp Fuse Block Adapter Plate Kit (1494F-F60)

Fuse				
Amps	Voltage	Class	Position	D
30	250	H/R	⑧	2 - 13/16"
30	600	H/R	③	5 - 5/8"
30	600	J	⑧	2 - 13/16"
30	600	HRCII-C	⑤	4 - 3/16"
60	250	H/R	⑥	3 - 5/8"
60	600	H/R	②	6 - 1/8"
60	600	J	⑦	3"
60	600	HRCII-C	⑤	4 - 3/16"
100	250	H/R	②	6 - 1/8"
100	600	J	④	4 - 15/16"
100	600	H/R	①	8 - 1/8"

Hardware Torque (lb-in)				
Fuse Amps	Fuse Block Adapter Kit	Fuse Clip	Lug to Terminal	Wire into Lug
30	40-60	22-37	40-60	45-50
60				
100	40-60	16-22	40-60	45-50

