

MIDGET & CLASS CC

600 VOLT / FUSE BLOCKS



600 VOLT MIDGET AND CLASS CC FUSE BLOCKS

Ferraz Shawmut Midget Fuse Blocks accommodate all 30 ampere 1-1/2" x 13/32" midget fuses. Class CC Fuse Blocks accommodate all 30 ampere Class CC fuses. A choice of box, screw, or pressure-plate connectors fit a wide range of stranded or solid copper wire. Insulators are glass-filled polycarbonate (GFPC) with verified dielectric strength in excess of 2500V. Fuse blocks feature a unique adder block which can be snapped onto 1-, 2- or 3-pole blocks to form multi-pole segmented blocks of as many poles as desired. All fuse clips are made of high conductivity tin-plated copper alloy.

Ratings

- 600VAC: 30A
- Withstand rating: 200kA using screw, pressure plate or box connections, 10kA using quick connects
- Temperature/flammability: GFPC insulators rated 125°C, 94V-0 flammability

Approvals

- All fuse blocks meet the requirements of UL Std. 512
- **Midget Block**
UL Recognized Component
Guide IZLT2, File E52283
- CSA Certified
Class 6225, File 32169
- **Class CC Block**
UL Listed,
Guide IZLT, File E52283
- CSA Certified
Class 6225, File 32169



RECOMMENDED FUSE USAGE

Midget Fuse Blockuse with **ATQ, ATM, A6Y-2B, A25Z-2, TRM, OTM, A13X-2, GFN, GGU, A60Q-2**

Class CC Fuse Blockuse with **ATDR, ATMR, ATQR**

Clip & Connector Types

30A MIDGET/CC

COPPER BOX CONNECTOR



SCREW WITH DOUBLE QUICK-CONNECTS



PRESSURE PLATE WITH DOUBLE QUICK-CONNECTS

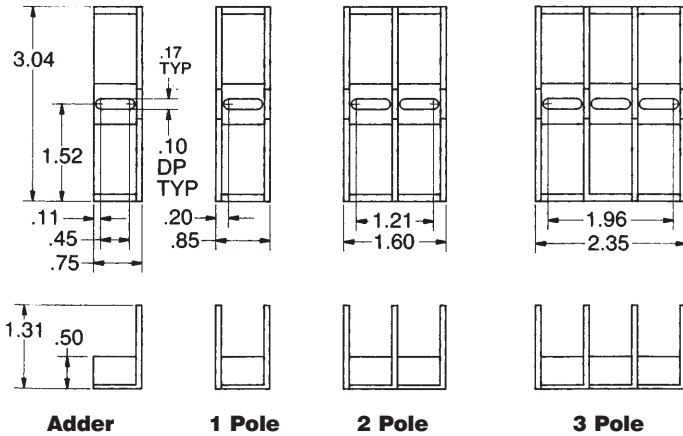


PRESSURE PLATE WITH DOUBLE QUICK-CONNECTS (CLASS CC REJECTION END)



MIDGET & CLASS CC

600 VOLT / FUSE BLOCKS



Recommended mounting screws for all Midget and Class CC fuse blocks: #8 (.164" dia.)

600 Volt, 30A Midget and Class CC Fuse Blocks

| CONNECTOR | | POLES* | CATALOG NUMBER | | | | CONNECTOR TORQUE In - lb |
|--|------------|--------|----------------|----------|----------|----------|-----------------------------|
| TYPE | WIRE RANGE | | TYPE OF FUSE | | | | |
| | | | MIDGET | LISTING | CLASS CC | LISTING | |
| Screw w/double quick connects at both ends | Cu #10-14 | ADDER | 30310 | UL & CSA | 30310R | UL & CSA | 20 |
| | | 1 | 30311 | | 30311R | | |
| | | 2 | 30312 | | 30312R | | |
| | | 3 | 30313 | | 30313R | | |
| | | 4 | 30314 | | 30314R | | |
| Pressure plate (sems) w/double quick connects at both ends | Cu #10-14 | ADDER | 30320 | UL & CSA | 30320R | UL & CSA | 20 |
| | | 1 | 30321 | | 30321R | | |
| | | 2 | 30322 | | 30322R | | |
| | | 3 | 30323 | | 30323R | | |
| | | 4 | 30324 | | 30324R | | |
| Copper box | Cu #6-14 | ADDER | 30350 | UL & CSA | 30350R | UL & CSA | 35 |
| | | 1 | 30351 | | 30351R | | |
| | | 2 | 30352 | | 30352R | | |
| | | 3 | 30353 | | 30353R | | |
| | | 4 | 30354 | | 30354R | | |

Actual part number to order for spare is 30321RAB.

Note: To convert Midget or Class CC adder pole to single pole, use end barrier #U09301.

* Available in any number of poles. Replace last digit in Catalog Number with number of poles needed.

Example: 303112 is a 12-pole screw/double QC connector Midget Fuse Block.

Total width of N poles = (N x .76") + .08 inches. 12 poles = (12 x .76") + .08" = 9.20".

Note: Please see fuse block accessories (H 41) for information regarding fuse block accessories; DFC3M, DFC3LP or DRM.