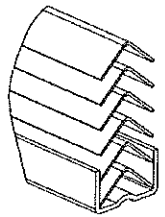
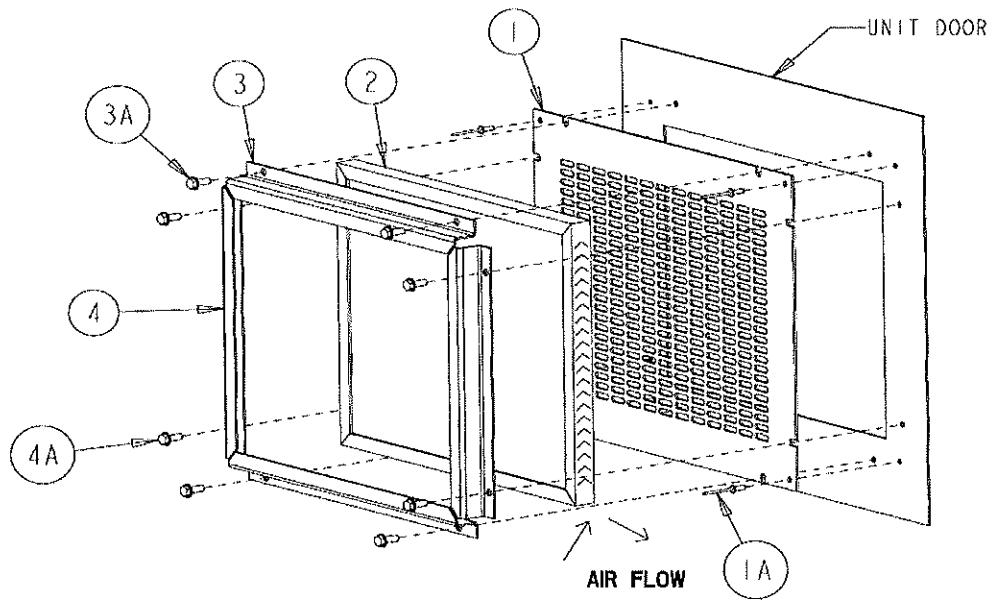


40137-525

		ASSY NO.	-01
ITEM	DESCRIPTION	PRT REQ	
1	VENT PLATE - INPUT		1
1A	VENT PLATE - INPUT DOME HEAD RIVET		4
2	BAFFLE -- 11"W X 9"H		1
3	BAFFLE MOUNTING BRACKET -- 11"		2
3A	#10-32 X 0.5 HWSSTS TAPTITE		4
4	BAFFLE MOUNTING BRACKET -- 9"		2
4A	#10-32 X 0.5 HWSSTS TAPTITE		4
5	DOOR MODIFICATION CUTOUT (REF.)	1	X



ORIENTATION OF
BAFFLE FINs



FRONT VIEW