


# Product Details and Certifications

Cross Reference RA Part Number: PN-236667

 **Product: 592-ESM-IG-100A-S3**

Description: E300 Overload Relay (193/592 IEC/NEMA) Current / Ground Fault Sensing Module (10...100A), Mounts to NEMA Size 3 Contactor



Representative Photo Only (actual product may vary based on configuration sections)

### OVERLOAD DATA

---

|                              |   |
|------------------------------|---|
| Bulletin Number              | 592- NEMA Overload Relay                      |
| Module Type                  | ESM Sensing Module                            |
| Sensing Module Type          | Current and Ground Fault Current              |
| Sensing Current Range        | 10... 100A                                    |
| Sensing Module Mounting Type | Mounts to Bulleting 500 Nema Size 3 Contactor |

### CERTIFICATIONS AND APPROVALS

---

- UL
- CSA
- IEC
- CE
- CCC
- KCC

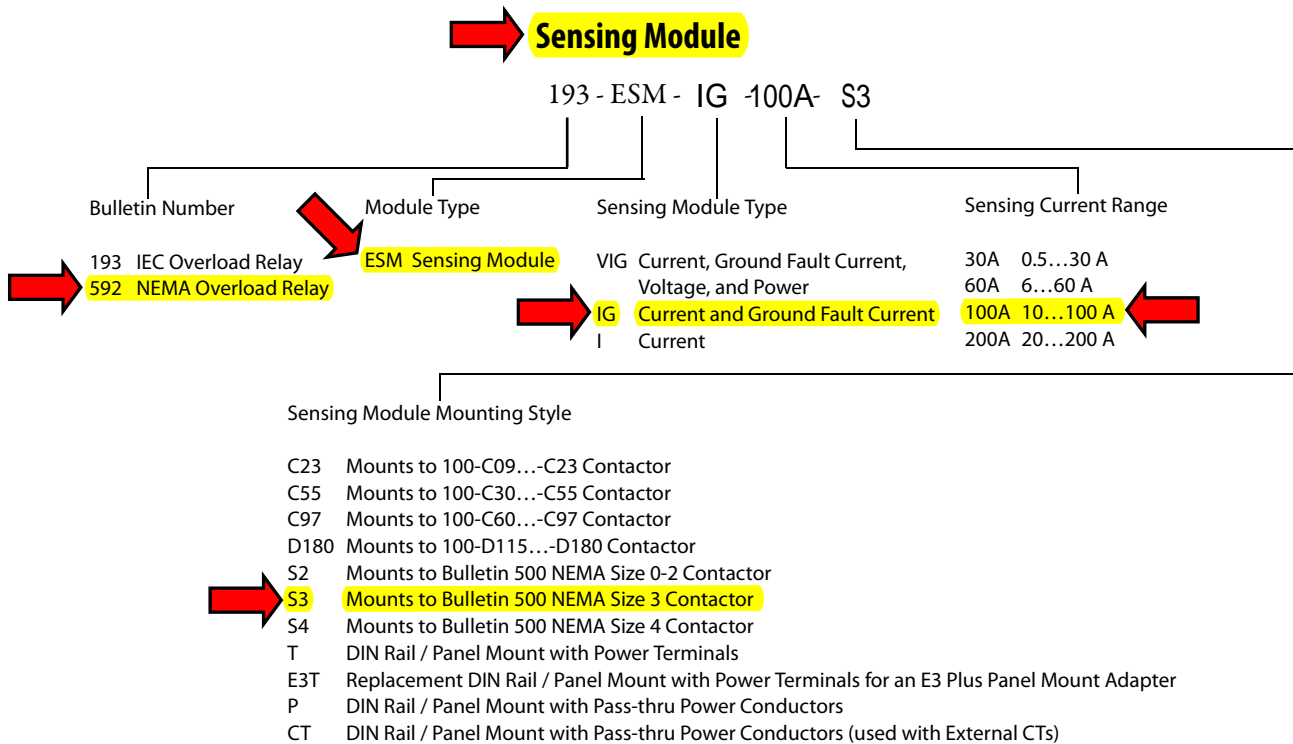
### MANUFACTURING

---

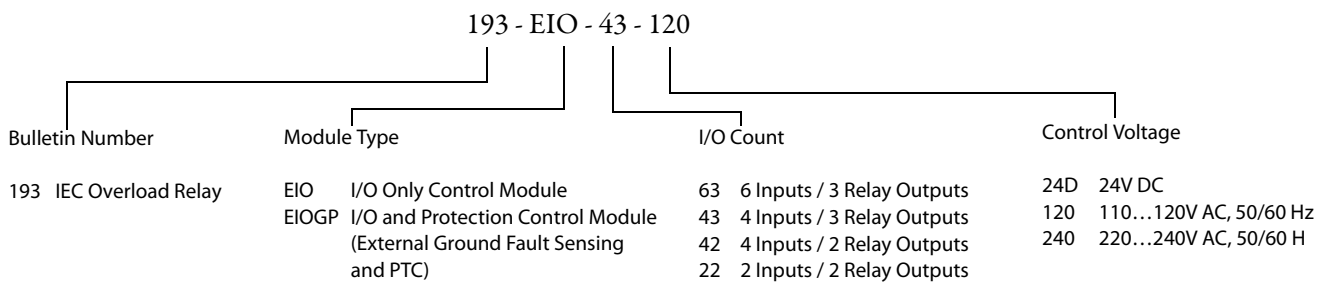
|          |                   |
|----------|-------------------|
| Assembly | Factory Assembled |
|----------|-------------------|

## Catalog Number Explanation

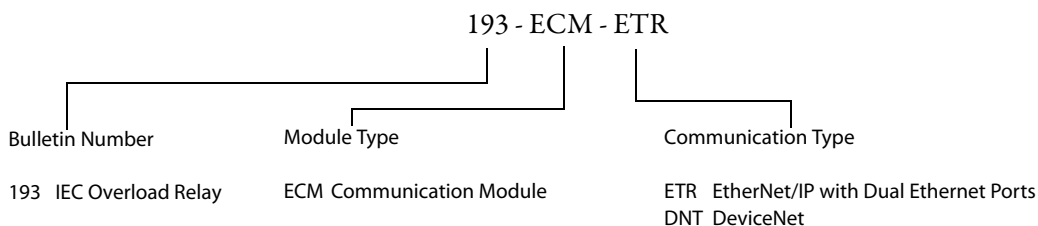
E300 Electronic Overload Relay modules have their own catalog number.



## Control Module



## Communication Module



## Bulletin 193/592-E300 Product Selection

### Sensing Modules

| Description          | Mounting Options  | Current Range [A] | For Use With                                      | Cat. No.             |                     |
|----------------------|---|-------------------|---|----------------------|---------------------|
| Current              | IEC Contactors  | 0.5...30          | 100-C09...C23                                     | 193-ESM-I-30A-C23    |                     |
|                      |   |                   | 100-C30...C55                                     | 193-ESM-I-30A-C55    |                     |
|                      |   | 6...60            | 100-C30...C55                                     | 193-ESM-I-60A-C55    |                     |
|                      |   |                   | 100-C60...100-C97                                 | 193-ESM-I-100A-C97   |                     |
|                      | DIN Rail / Panel Mount Power Terminals                              | 0.5...30          | 100-D115...100-D180                               | 193-ESM-I-200A-D180  |                     |
|                      |   |                   | All contactors and external current transformers  | 193-ESM-I-30A-T      |                     |
|                      |   |                   |   | All contactors       | 193-ESM-I-60A-T     |
|                      |   |                   |   |                      | 193-ESM-I-100A-T    |
|                      | DIN Rail / Panel Mount Power Terminals. Directly replaces 193-ECPM_ | 6...60            | All contactors and external current transformers. | 193-ESM-I-200A-T     |                     |
|                      |   |                   |   | All contactors       | 193-ESM-I-30A-E3T   |
|                      |   |                   |   |                      | 193-ESM-I-60A-E3T   |
|                      |   |                   | 10...100  | All contactors       | 193-ESM-I-100A-E3T  |
|                      | DIN Rail / Panel Mount Pass-thru                                    | 10...100          | All contactors and external current transformers  | 193-ESM-I-30A-P      |                     |
|                      |   |                   |   | All contactors       | 193-ESM-I-60A-P     |
|                      |   |                   |   |                      | 193-ESM-I-100A-P    |
|                      |   |                   |   |                      | 193-ESM-I-200A-P    |
|                      | NEMA Contactors   | 0.5...30          | NEMA Size 0...2                                   | 592-ESM-I-30A-S2     |                     |
|                      |   |                   |   | 592-ESM-I-60A-S2     |                     |
|                      |   | 6...60            | NEMA Size 3                                       | 592-ESM-I-100A-S3    |                     |
|                      |   |                   |   | NEMA Size 4          | 592-ESM-I-200A-S4   |
| Current/Ground Fault | IEC Contactors  | 0.5...30          | 100-C09...C23                                     | 193-ESM-IG-30A-C23   |                     |
|                      |   |                   | 100-C30...C55                                     | 193-ESM-IG-30A-C55   |                     |
|                      |   | 6...60            | 100-C30...C55                                     | 193-ESM-IG-60A-C55   |                     |
|                      |   |                   | 100-C60...100-C97                                 | 193-ESM-IG-100A-C97  |                     |
|                      | DIN Rail / Panel Mount Power Terminals                              | 10...100          | 100-D115...100-D180                               | 193-ESM-IG-200A-D180 |                     |
|                      |   |                   | All contactors                                    | 193-ESM-IG-30A-T     |                     |
|                      |   |                   |   | All contactors       | 193-ESM-IG-60A-T    |
|                      |   |                   |   |                      | 193-ESM-IG-100A-T   |
|                      | DIN Rail / Panel Mount Power Terminals. Directly replaces 193-ECPM_ | 20...200          | All contactors                                    | 193-ESM-IG-200A-T    |                     |
|                      |   |                   |   | All contactors       | 193-ESM-IG-30A-E3T  |
|                      |   |                   |   |                      | 193-ESM-IG-60A-E3T  |
|                      |   |                   | 10...100  | All contactors       | 193-ESM-IG-100A-E3T |
|                      | DIN Rail / Panel Mount Pass-thru                                    | 0.5...30          | All contactors and external current transformers  | 193-ESM-IG-30A-P     |                     |
|                      |   |                   |   | All contactors       | 193-ESM-IG-60A-P    |
|                      |   |                   |   |                      | 193-ESM-IG-100A-P   |
|                      |   |                   |   |                      | 193-ESM-IG-200A-P   |
|                      | NEMA Contactors   | 0.5...30          | NEMA Size 0...2                                   | 592-ESM-IG-30A-S2    |                     |
|                      |   |                   |   | 592-ESM-IG-60A-S2    |                     |
|                      |   | 6...60            | NEMA Size 3                                       | 592-ESM-IG-100A-S3   |                     |
|                      |   |                   |   | NEMA Size 4          | 592-ESM-IG-200A-S4  |