


Product Details and Certifications

Cross Reference RA Part Number: PN-349445

 **Product: 592-ESM-IG-200A-S4**

Description: E300 Overload Relay (193/592 IEC/NEMA) Current /
Ground Fault Sensing Module (20...200 A), Mounts
to NEMA Size 4 Contactor



Representative Photo Only (actual product may vary based on configuration sections)

OVERLOAD DATA

Bulletin Number	592-NEMA Overload Relay
Module Type	ESM Sensing Module
Sensing Module Type	Current and Ground Fault Current
Sensing Current Range	20...200 A
Sensing Module Mounting Type	Mounts to Bulletin 500 NEMA Size 4 Contactor

CERTIFICATIONS AND APPROVALS

UL
CSA
CE
CCC
KCC

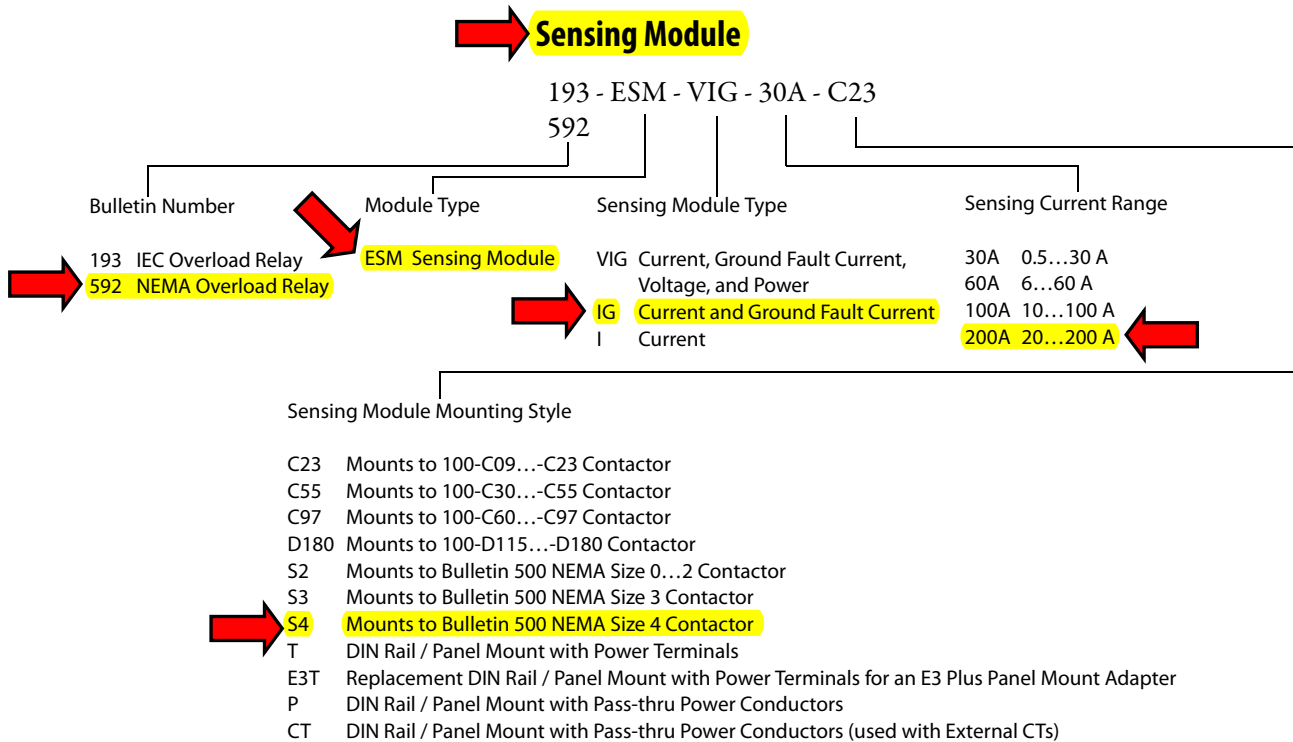
MANUFACTURING

Assembly

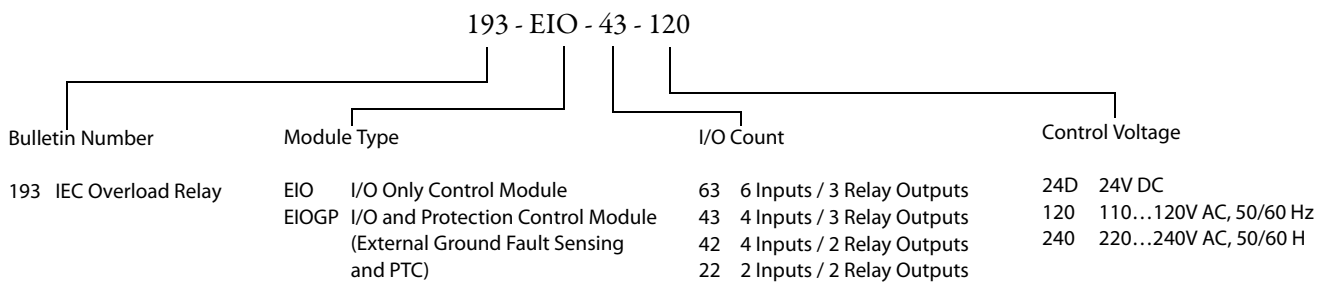
Factory Assembled

Catalog Number Explanation

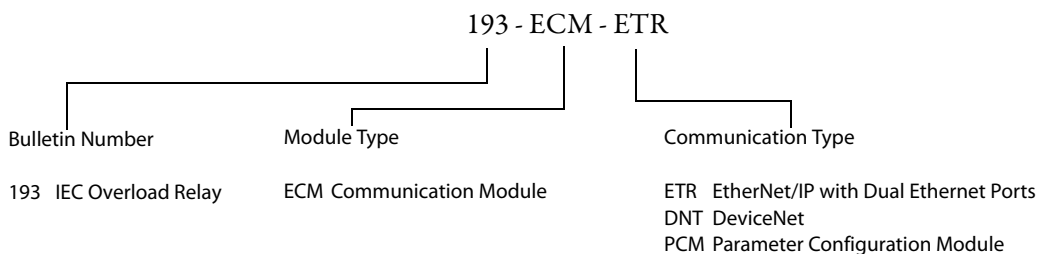
E300 Electronic Overload Relay modules have their own catalog number.



Control Module



Communication Module



Bulletin 193/592-E300 Product Selection

Sensing Modules

Description	Mounting Options	Current Range [A]	For Use With	Cat. No.	
Current	IEC Contactors	0.5...30	100-C09...C23	193-ESM-I-30A-C23	
			100-C30...C55	193-ESM-I-30A-C55	
		6...60	100-C30...C55	193-ESM-I-60A-C55	
			100-C60...100-C97	193-ESM-I-100A-C97	
	DIN Rail / Panel Mount Power Terminals	0.5...30	100-D115...100-D180	193-ESM-I-200A-D180	
			All contactors and external current transformers	193-ESM-I-30A-T	
				All contactors	193-ESM-I-60A-T
					193-ESM-I-100A-T
	DIN Rail / Panel Mount Power Terminals. Directly replaces 193-ECPM_	6...60	All contactors and external current transformers.	193-ESM-I-30A-E3T	
				All contactors	193-ESM-I-60A-E3T
					193-ESM-I-100A-E3T
			DIN Rail / Panel Mount Pass-thru	10...100	All contactors and external current transformers
	All contactors	193-ESM-I-60A-P			
		193-ESM-I-100A-P			
	NEMA Contactors	20...200			NEMA Size 0...2
			NEMA Size 3	193-ESM-I-30A-S2	
				NEMA Size 4	193-ESM-I-60A-S2
			193-ESM-I-100A-S3		
	Current/Ground Fault	IEC Contactors	0.5...30	100-C09...C23	193-ESM-IG-30A-C23
				100-C30...C55	193-ESM-IG-30A-C55
6...60			100-C30...C55	193-ESM-IG-60A-C55	
			100-C60...100-C97	193-ESM-IG-100A-C97	
DIN Rail / Panel Mount Power Terminals		0.5...30	100-D115...100-D180	193-ESM-IG-200A-D180	
			All contactors	193-ESM-IG-30A-T	
				All contactors	193-ESM-IG-60A-T
					193-ESM-IG-100A-T
DIN Rail / Panel Mount Power Terminals. Directly replaces 193-ECPM_		6...60	All contactors	193-ESM-IG-200A-T	
				All contactors	193-ESM-IG-30A-E3T
					193-ESM-IG-60A-E3T
			DIN Rail / Panel Mount Pass-thru	10...100	All contactors
All contactors		193-ESM-IG-30A-P			
		193-ESM-IG-60A-P			
NEMA Contactors		20...200			NEMA Size 0...2
			NEMA Size 3	193-ESM-IG-200A-P	
				NEMA Size 4	193-ESM-IG-30A-S2
			193-ESM-IG-60A-S2		
NEMA Contactors		10...100	NEMA Size 3	193-ESM-IG-100A-S3	
				NEMA Size 4	193-ESM-IG-200A-S4
	NEMA Size 4		592-ESM-IG-200A-S4		
			592-ESM-IG-200A-S4		