

L-Frame

Table 12-195. Types LDB, HLDB and LDCB Electronic Circuit Breakers with Non-Interchangeable Electronic Trip Units Suitable for Reverse Feed

| Maximum Continuous Ampere Rating at 40°C ① | Number of Poles | Circuit Breaker Frame Including DigiTrip RMS 310 Electronic Trip Unit Less Terminals and Rating Plug | | | | Digitrip RMS 310 Rating Plug (Order as Separate Items) | |
|--|-----------------|--|------------------------|------------------------|------------------------|--|--|
| | | L – Adjustable Long Delay Pickup (By Adjustable Rating Plug) S – Adjustable Short Delay Pickup with Fixed Short Delay Time (I ² t Response) or Adjustable Short Time (Flat Response) I – Adjustable Instantaneous Pickup by Setting Short Time Delay Time to Instantaneous G – Adjustable Ground Fault Pickup with Adjustable Ground Fault Delay (Flat Response) | | | | Fixed | Adjustable |
| | | Catalog Number | | | | | |
| | | LS | LSI | LSG | LSIG | Catalog Number | |
| Short Time Range | | 2 – 8 x I _n | 2 – 8 x I _n | 2 – 8 x I _n | 2 – 8 x I _n | | |
| Short Time Delay | | — | 0 – 300 ms | — | 0 – 300 ms | | |
| Ground Fault Pickup | | — | — | Varies by Frame | Varies by Frame | | |
| Ground Fault Delay | | — | — | 0 – 500 ms | 0 – 500 ms | | |
| Type LDB, HLDB and LDCB with DigiTrip 310 Non-Interchangeable Trip Unit | | | | | | | |
| 600 | 3 | LDB3600FT33W | LDB3600FT32W | LDB3600FT35W | LDB3600FT35W | 6LES300T 6LES350T 6LES400T 6LES450T 6LES500T 6LES600T | 300/400/500/600 A6LES600T1 420/440/460/480 A6LES400T5 520/540/560/580 A6LES500T5 |
| 600 | 3 | HLDB3600FT33W | HLDB3600FT32W | HLDB3600FT35W | HLDB3600FT36W | 6LES300T 6LES350T 6LES400T 6LES450T 6LES500T 6LES600T | 300/400/500/600 A6LES600T1 420/440/460/480 A6LES400T5 520/540/560/580 A6LES500T5 |
| 600 | 3 | LDCB3600FT33W | LDCB3600FT32W | LDCB3600FT35W | LDCB3600FT36W | 6LES300T 6LES350T 6LES400T 6LES450T 6LES500T 6LES600T | 300/400/500/600 A6LES600T1 420/440/460/480 A6LES400T5 520/540/560/580 A6LES500T5 |

① For ac use only.

L-Frame



Typical L-Frame Circuit Breaker

Product Description

- All Cutler-Hammer L-Frame Circuit Breakers by Eaton Corporation are HACR rated.
- L-Frame circuit breakers are available as individual components (Frame, Trip Unit, Terminals), or factory assembled complete breakers.
- L-Frame circuit breakers with non-interchangeable trip units are suitable for reverse feed use.
- CE marked.

Technical Data and Specifications

Table 12-182. UL 489 Interrupting Capacity Ratings ^①

| Circuit Breaker Type | Number of Poles | Interrupting Capacity (kA rms Symmetrical Amperes) | | | | | |
|------------------------|-----------------|--|-----|-----|-----|----------|-------------------|
| | | Volts ac (50/60 Hz) | | | | Volts dc | |
| | | 240 | 277 | 480 | 600 | 125 | 250 ^{②③} |
| LDB | 2, 3 | 65 | — | 35 | 25 | — | 22 |
| LD | 2, 3, 4 | 65 | — | 35 | 25 | — | 22 |
| CLD | 2, 3, 4 | 65 | — | 35 | 25 | — | — |
| HLD, HLDB | 2, 3, 4 | 100 | — | 65 | 35 | — | 25 |
| CHLD ^④ | 2, 3, 4 | 100 | — | 65 | 35 | — | — |
| LDC, LDCB ^⑤ | 2, 3, 4 | 200 | — | 100 | 50 | — | 30 |
| CLDC ^{④⑤} | 2, 3, 4 | 200 | — | 100 | 50 | — | — |

^① Utilization category A circuit breakers.

^② L/R = 8 milliseconds minimum.

^③ 2-pole circuit breaker or two poles of 3-pole circuit breaker. Incorporating Thermal-Magnetic trip unit only.

^④ 100% rated breakers.

^⑤ Current limiting.

Table 12-183. IEC 947-2 Interrupting Capacity Ratings ^⑥

| Circuit Breaker Type | Number of Poles | Interrupting Capacity (kA Symmetrical Amperes) | | | | | | | |
|----------------------|-----------------|--|-----------------|-----------------|-----------------|-----------------|-----------------|-------------------|-----------------|
| | | Volts ac (50/60 Hz) | | | | | | Volts dc | |
| | | 240 | | 415 | | 690 | | 250 ^{⑦⑧} | |
| | | I _{cu} | I _{cs} | I _{cu} | I _{cs} | I _{cu} | I _{cs} | I _{cu} | I _{cs} |
| LDB | 2, 3 | 85 | 85 | 45 | 45 | 20 | 10 | 20 | 10 |
| LD | 2, 3, 4 | 85 | 85 | 45 | 45 | 20 | 10 | 20 | 10 |
| CLD ^⑨ | 2, 3, 4 | 85 | 85 | 45 | 45 | 20 | 10 | — | — |
| HLD, HLDB | 2, 3, 4 | 100 | 100 | 70 | 70 | 25 | 13 | 20 | 10 |
| CHLD ^⑨ | 2, 3, 4 | 100 | 100 | 70 | 70 | 25 | 13 | — | — |
| LDC, LDCB | 2, 3, 4 | 200 | 100 | 100 | 75 | 35 | 18 | 20 | 10 |
| CLDC ^⑨ | 2, 3, 4 | 200 | 100 | 100 | 75 | 35 | 18 | — | — |

^⑥ Utilization category A circuit breakers.

^⑦ L/R = 8 milliseconds minimum.

^⑧ 2-pole circuit breaker or two poles of 3-pole circuit breaker. Incorporating Thermal-Magnetic trip unit only.

^⑨ 100% rated breakers.

L-Frame

Dimensions/Weights

Table 12-185. Dimensions in Inches (mm)

| Number of Poles | Width | Height | Depth |
|-----------------|---------------|---------------|--------------|
| 2, 3 | 8.25 (209.6) | 10.75 (273.1) | 4.06 (103.1) |
| 4 | 11.00 (279.4) | 10.75 (273.1) | 4.06 (103.1) |

Table 12-186. Approximate Shipping Weight, Lbs. (kg)

| Breaker Type | Complete Breaker | | | Frame Only | | | Trip Unit | | |
|--------------|------------------|----------|-----------|------------|----------|----------|-----------|---------|---------|
| | Number of Poles | | | | | | | | |
| | 2 | 3 | 4 | 2 | 3 | 4 | 2 | 3 | 4 |
| LD, HLD, LDC | 18 (8.2) | 20 (9.1) | 25 (11.3) | 14 (6.4) | 15 (6.8) | 20 (9.1) | 3 (1.4) | 4 (1.8) | 5 (2.3) |
| LDB | 18 (8.2) | 20 (9.1) | 25 (11.3) | — | — | — | — | — | — |

L-Frame

Product Selection

This information is presented only as an aid to understanding catalog numbers. It is not to be used to build catalog numbers for circuit breakers or trip units.

Table 12-187. Circuit Breaker/Frame Catalog Numbering System

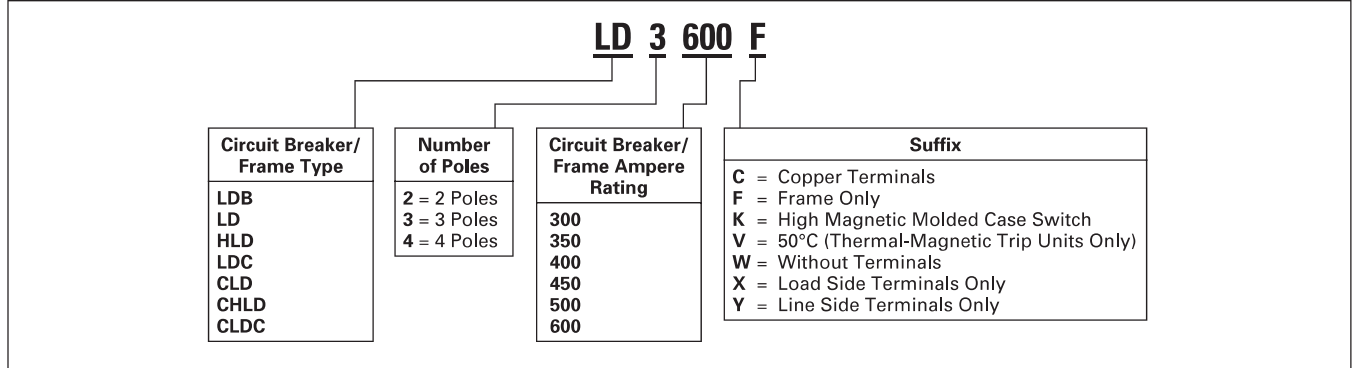
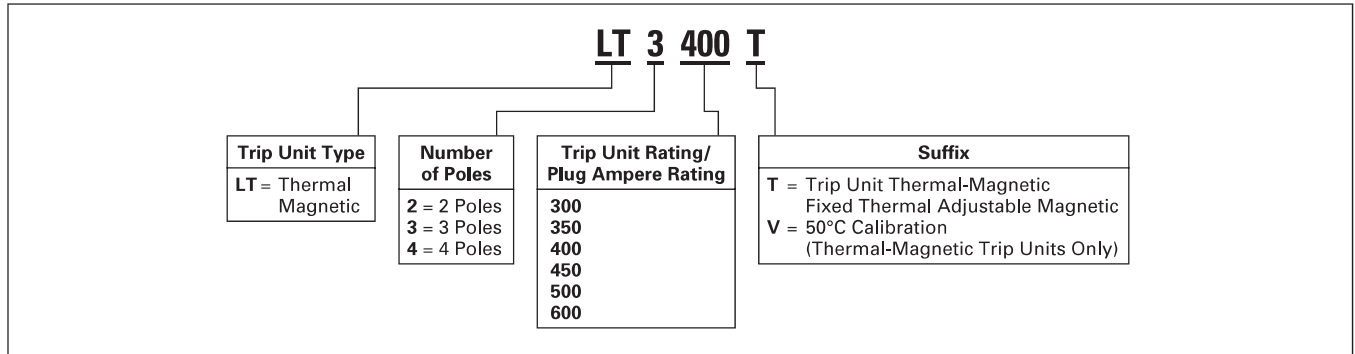


Table 12-188. Thermal-Magnetic Trip Unit Catalog Numbering System



12

Table 12-189. OPTIM Circuit Breaker/Frame Catalog Numbering System

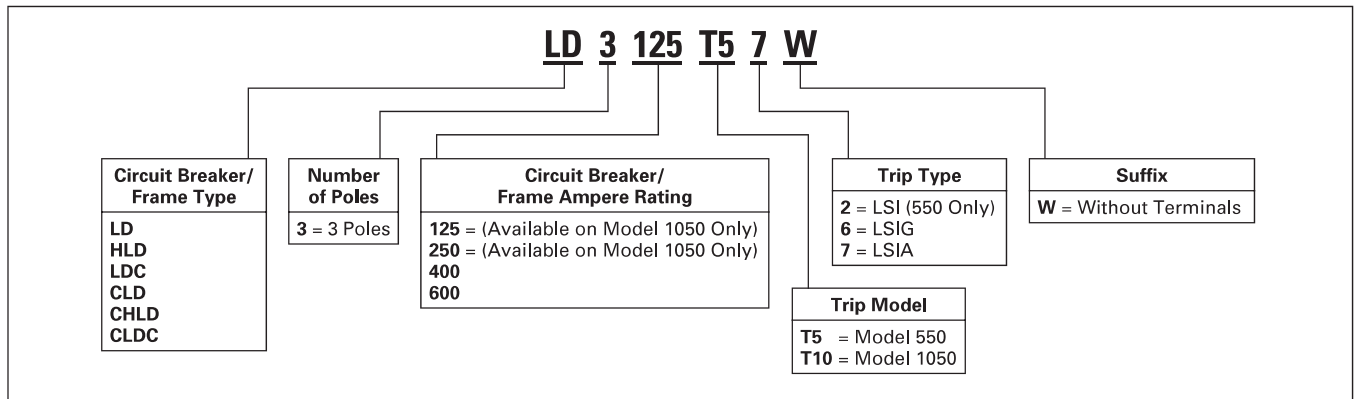


Table 12-190. Digitrip RMS 310 Trip Unit Catalog Numbering System

