



Hammond Power Solutions Inc.

TITLE: 3PH DISTRIBUTION TRANSFORMER
NAMEPLATE INFORMATION

NO.	DATE	BY	REVISION	DES: MCHRISTM
				DATE: 11/01/18
				SCALE: NTS

SHEET 1 OF 2

EDB 198268

0.1 root 2011/01/26 09:10

THREE PHASE DRY TYPE TRANSFORMER
ALLEN-BRADLEY
MILWAUKEE, WI. USA



LR3902



E112313

P/N QPP6847

KVA 30

CLASS AN

TYPE J

TEMP. RISE °C 80

TEMP. CLASS °C 180

FREQ. Hz 60

IMPEDANCE % @ 100 °C 3.3

ENCL. TYPE -

WEIGHT LBS 290

INS. SYSTEM 180-1

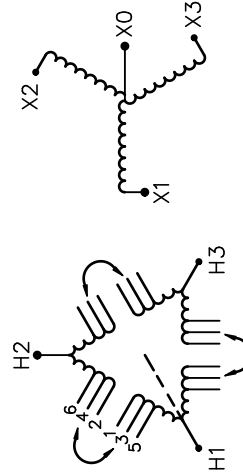
SERIAL NO:

cab3001e

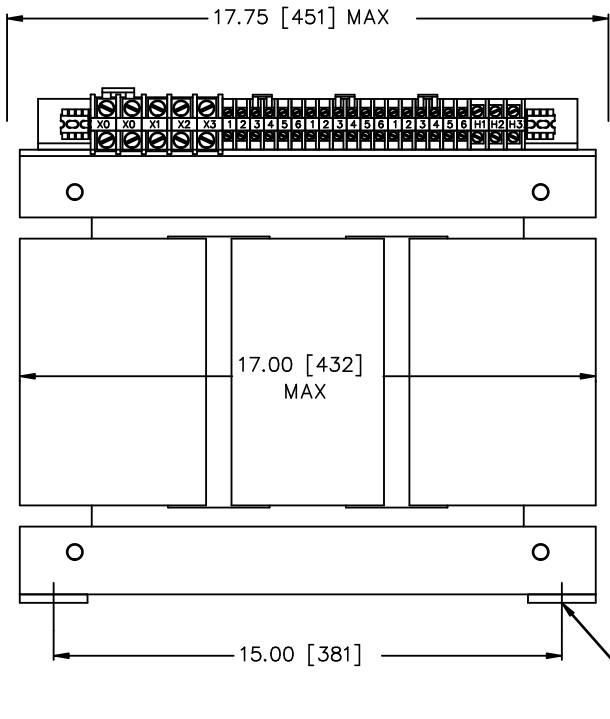
VOLTS	% RATED VOLTAGE	CONNECTION
504	105	1-2
492	102.5	2-3
480	100	3-4
468	97.5	4-5
456	95	5-6

HV 480V
BILL kV -
H1 H2 H3

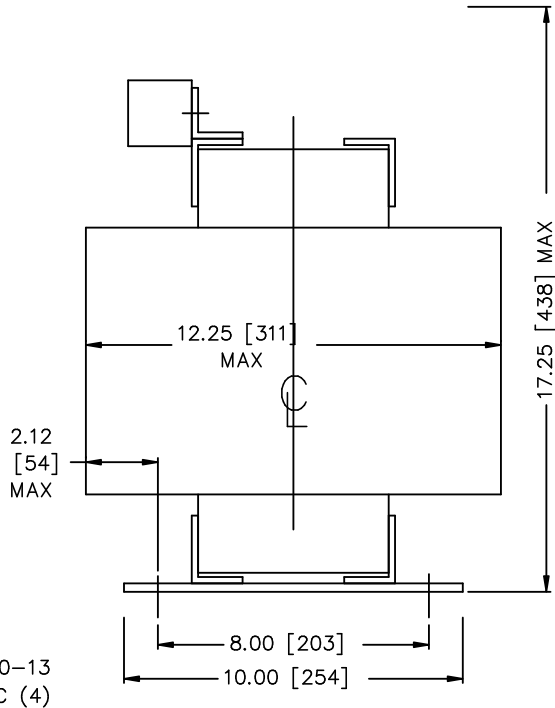
LV 208Y/120V
-
X0 X1 X2 X3



198268 SIM 40022-052-05 TP1
COPPER WINDING
MEETS TP-1-2002 EFFICIENCY



FRONT_VIEW



SIDE_VIEW



TITLE: 3PH DISTRIBUTION TRANSFORMER
MECHANICAL INFORMATION

				DES: MCHRISTM
				DATE: 11/01/18
NO.	DATE	BY	REVISION	SCALE: NTS

SHEET 2 OF 2
EDB 198268

0.1 root 2011/01/26 09:10