



Instrument Transformers, Inc.

a division of GE Multilin 

# Current Transformer Model 2DARL

Window Diameter 1.00"



Cross Reference RA Part Number PN-127245

REGULATORY AGENCY APPROVALS

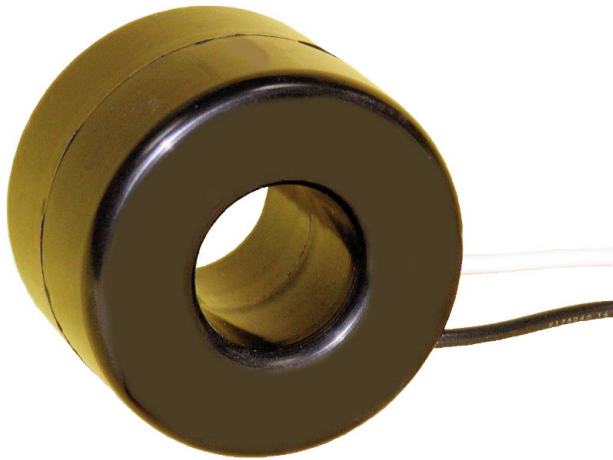


E93779



LR89403

Manufactured to meet the requirements of ANSI/IEEE C57.13.  
Classified by U.L. in accordance with IEC 44-1



**APPLICATION:**

Ammeters , wattmeters and cross current compensation.

**RATING FACTOR:**

1.0 @ 30°C

**FREQUENCY:**

50-400 Hz.

**INSULATION LEVEL:**

600 Volts, 10 kV BIL full wave.

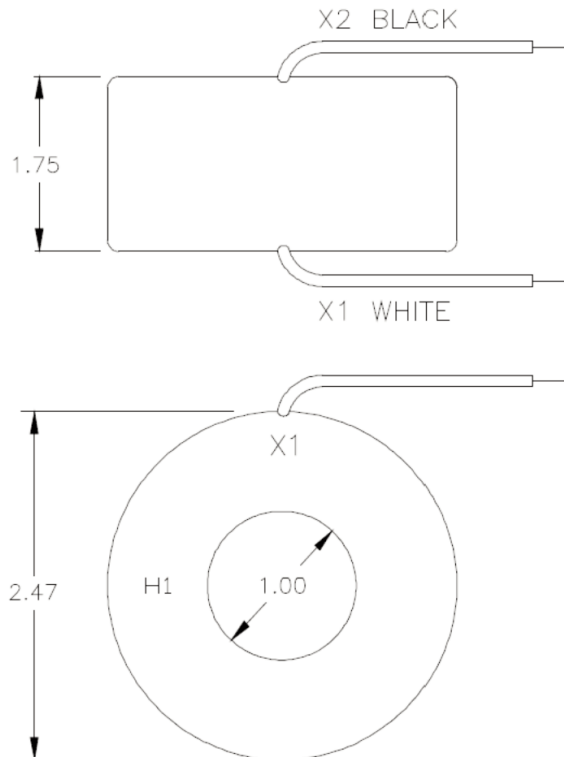
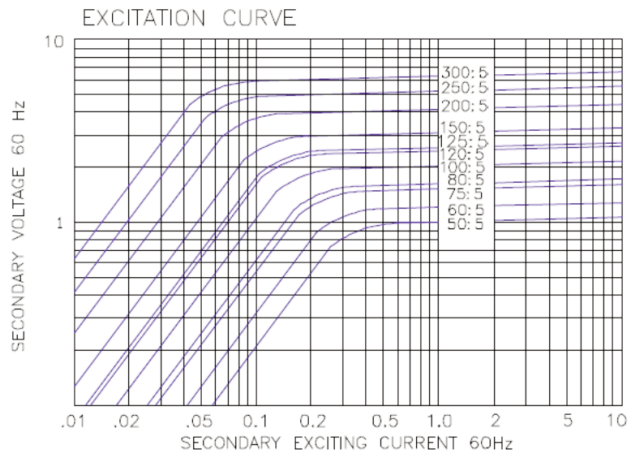
Flexible leads are UL 1015, 105°C, CSA approved, #16 AWG, 24" long. Non-standard, lead length can be specified.

Approximate weight 0.9 lbs.

CATALOG NUMBER	CURRENT RATIO	V.A. ± 1% CLASS	ANSI METERING CLASS AT 60HZ			SECONDARY WINDING RESISTANCE (OHMS @ 75°C)
			B0.1	B0.2	B0.5	
2DARL-500	50:5	2% 2.5	4.8	-	-	0.008
2DARL-600	60:5	2.5	2.4	-	-	0.011
2DARL-750	75:5	3.5	1.2	2.4	-	0.015
2DARL-800	80:5	4.0	1.2	2.4	-	0.016
<b>2DARL-101</b>	<b>100:5</b>	<b>5.0</b>	<b>1.2</b>	<b>2.4</b>	<b>-</b>	<b>0.018</b>
2DARL-121	120:5	5.0	1.2	2.4	-	0.022
2DARL-1250	125:5	5.0	0.6	1.2	-	0.028
2DARL-151	150:5	10.0	0.6	0.6	-	0.031
2DARL-201	200:5	12.5	0.3	0.6	1.2	0.047
2DARL-251	250:5	15.0	0.3	0.3	0.6	0.074
2DARL-301	300:5	20.0	0.3	0.3	0.6	0.089



# Model 2DARL



**USA, Canada, Asia, Latin America**

Tel: +1-800-547-8629

Fax: +1-905-201-2455

e-mail: [sales.multilin@ge.com](mailto:sales.multilin@ge.com)

**Europe, Middle East, Africa**

Tel: +34-94-485-88-00

Fax: +34-94-485-88-45

e-mail: [gemultilin.euro@ge.com](mailto:gemultilin.euro@ge.com)