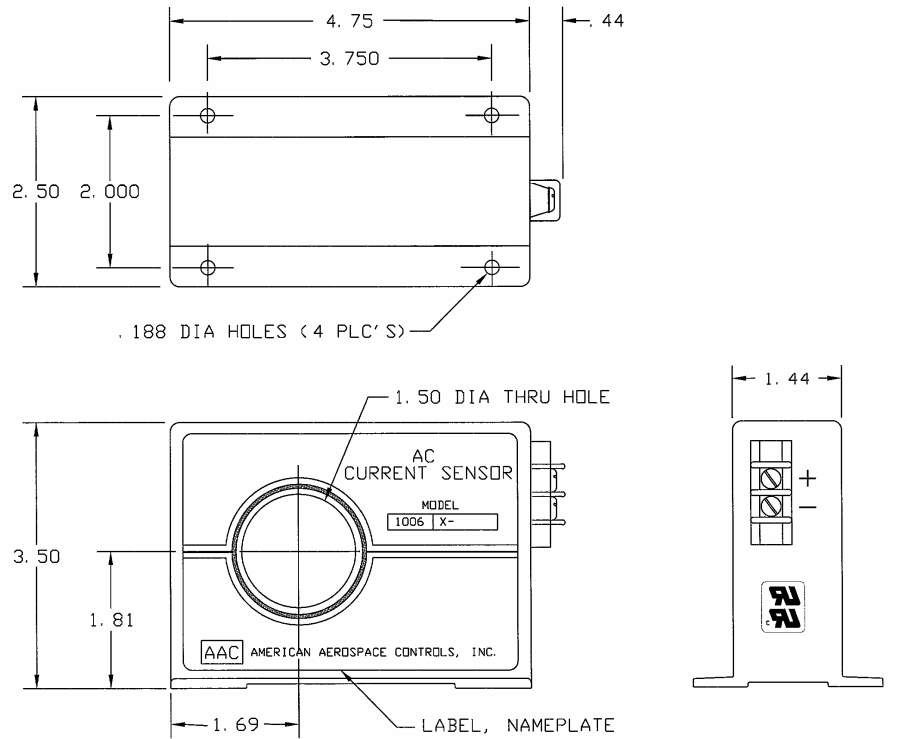


Dimensions in Inches, Tolerances: .XX ± .03 .XXX ± .010

**AC CURRENT TRANSDUCER
SERIES 1006X
4 TO 20mA 2 WIRE LOOP POWER**



PART NO.	INPUT CURRENT	PART NO.	INPUT CURRENT
1006X-5	0 to 5	1006X-200	0 to 200
1006X-10	0 to 10	1006X-250	0 to 250
1006X-20	0 to 20	1006X-300	0 to 300
1006X-25	0 to 25	1006X-400	0 to 400
1006X-30	0 to 30	1006X-500	0 to 500
1006X-50	0 to 50	1006X-600	0 to 600
1006X-75	0 to 75	1006X-800	0 to 800
1006X-100	0 to 100	1006X-1000	0 to 1000
1006X-150	0 to 150	1006X-1200	0 to 1200

INPUT CURRENT

RANGE	See Table
FREQUENCY	50 & 60 Hz
OVERLOAD CONTINUOUS	500Aac or two X FS which ever is greater to a maximum of 1750A

OUTPUT

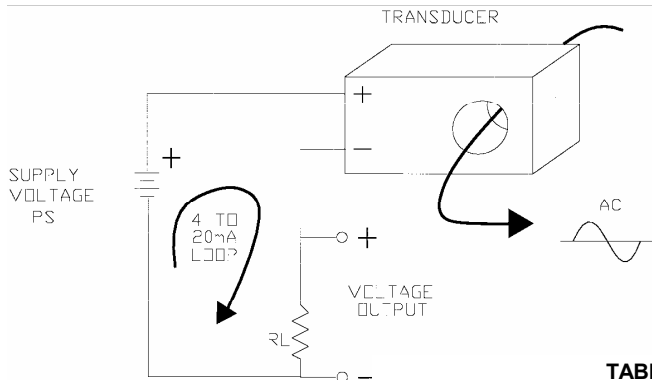
VOLTAGE SIGNAL	4 to 20mA DC FS (Full Scale)
ACCURACY	±0.5% FS (±0.1mA) Over Temperature Range
RIPPLE	.2% FS Typical
RESPONSE (10 to 90%)	100 m-sec max.
TEMPERATURE COEFFICIENT	±0.02% FS/°C max.
LOAD RESISTANCE (RL)	250 Ohms Nominal
LOAD RESISTANCE RANGE	0 to 1400 Ohms (See Table II)
REPEATABILITY	±0.1% FS
CURRENT SIGNAL @ OVERLOAD	30mA Typical
PROTECTION	Reverse Polarity Protected

POWER SUPPLY

SUPPLY VOLTAGE (PS)	15Vdc Nominal
CURRENT DRAIN	20mA
SUPPLY VOLTAGE RANGE	10 to 35Vdc (See Table II)

ENVIRONMENTAL AND PHYSICAL CHARACTERISTICS

OPERATING TEMPERATURE RANGE	-20° to +70°C
STORAGE TEMPERATURE RANGE	-55° to +85°C
ISOLATION	Input/Output/Case
CONDUCTOR CABLE VOLTAGE	1.5KV max. (5KV with Insul. Cable)
CASE	Molded Plastic meets UL flammability rating 94V-0
WEIGHT	1.2 lbs. max.



**TABLE II
SUPPLY (PS) VS LOAD RESISTANCE (RL)**

SUPPLY	LOAD RESISTANCE
11Vdc	0 to 250 Ohms
16Vdc	0 to 500 Ohms
21Vdc	0 to 750 Ohms
26Vdc	0 to 1000 Ohms
28Vdc	0 to 1100 Ohms
34Vdc	0 to 1400 Ohms



TERMINALS:

5-40 SCREWS, 3/8" CENTER TO CENTER SPACING, ACCEPTS WIRE SIZES UP TO 14 AWG. AND WIRE LUGS UP TO 9/32" WIDE.

$RL = VX + (.02)RL$

$VX = 6V$

$RL = 6V + (.02)(1400) = 34Vdc$

AAC

**Drawing Number
700-1006X**

**Rev.
L**