

PowerLogic power-monitoring units

Power Meter Series 800

Technical data sheet

2007



EB0463



PE101815-51



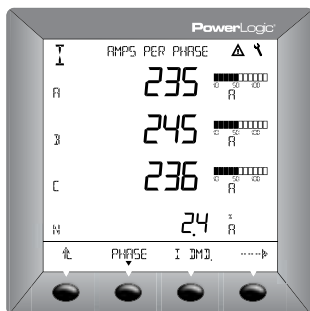
Front view of Power Meter Series 800 meter with integrated display.

PE101825-50



Rear view of Power Meter Series 800 meter.

DB11759



Power Meter PM800 Series meter display screen showing bar graphs.

The PowerLogic Power Meter Series 800 offers many high-performance capabilities needed to meter and monitor an electrical installation in a compact 96 x 96 mm unit. All models include an easy-to-read display that presents measurements for all three phases and neutral at the same time, an RS-485 Modbus communication port, one digital input, one KY-type digital output, total harmonic distortion (THD) metering, and alarming on critical conditions. Four models offer an incremental choice of custom logging and power quality analysis capabilities. Expand any model with field-installable option modules that offer a choice of additional digital inputs and outputs, analog inputs and outputs, and *Transparent Ready* Ethernet port.

Applications

- Panel instrumentation
- Sub-billing, cost allocation and energy management
- Remote monitoring of an electrical installation
- Power quality analysis
- Utility bill verification, utility contract optimization and load preservation.

Characteristics

Easy to install

Mounts using two clips, with no tools required. Direct connect the voltage inputs, with no need for potential transformers (PTs) up to 600 VAC.

Easy to operate

Intuitive navigation with self-guided, language-selectable menus.

System status at a glance

Large, anti-glare display with back-light provides summary screens with multiple values. Bar charts graphically represent system loading and I/O.

Custom alarming with time stamping

Over 50 alarm conditions, including over or under conditions, digital input changes, phase unbalance and more. The models PM850 and PM870 offer boolean logic that can be used to combine up to four alarms.

Power quality analysis

The PM800 series offers an incremental range of features for troubleshooting and preventing power quality related problems. All models offer THD metering. The PM810 with PM810LOG option and PM820 offer individual current and voltage harmonics readings. The PM850 and PM870 offer waveform capture (PM870 is configurable) and power quality compliance evaluation to the international EN50160 standard. The PM870 offers voltage and current disturbance (sag/swell) detection.

Extensive on-board memory

All models offer billing (energy and demand), maintenance, alarm and customizable data logs, all stored in non-volatile memory (PM810 requires PM810LOG option).

IEC 62053-22 class 0.5S accuracy for active energy

Accurate energy measurement for sub-billing and cost allocation.

Trend curves and short-term forecasting

The models PM850 and PM870 offer trend logging and forecasting of energy and demand readings to help compare load characteristics and manage energy costs.

Expandable I/O capabilities

Use the on-board or optional digital inputs for pulse counting, status/position monitoring, demand synchronization or control (gating) of the conditional energy metering. Use the on-board or optional digital outputs for equipment control or interfacing, controllable by internal alarms or externally through digital input status. Use the optional analog inputs and outputs for equipment monitoring or interfacing.

Metering of other utilities (WAGES)

All models offer five channels for demand metering of water, air, gas, electricity or steam utilities (WAGES) through the pulse counting capabilities of the digital inputs. Pulses from multiple inputs can be summed through a single channel.

Modular and upgradeable

All models offer easy-to-install option modules (memory, I/O and communications) and downloadable firmware for enhanced meter capabilities.

Remote display

The optional remote display can be mounted as far as 10 m from the metering unit. The adapter includes an additional 2- or 4-wire RS-485/RS-232 communication port.

Serial and Ethernet communications

All models include an RS-485 port supporting Modbus protocol (ASCII and RTU). An optional module provides Ethernet ModbusTCP/IP communications with e-mail on alarm, full function web server and Ethernet-to-serial line gateway functionality.

PB101814-36



Power Meter Series 800 without display.

PB101813-39



Power Meter Series 800 with integrated display.

PB101822-68



Power Meter Series 800 with remote display.

PB101818-60



Remote display adapter with display and cable.

PB101819-32



Remote display adaptor alone.

Part Numbers

Description

Power Meter without display

Use the base meter unit without display to comply with voltage limitations for local regulations when door mounting is not possible, or when meter voltage exceeds regulations, or when local display is not required. When the meter is used without a display, configuration of the communications port is limited to the default (address 1, 9600 baud, parity even). Requires software to read data.

PM810 power meter unit only, no display, basic instrumentation, THD, alarming, 80 kB logging (with PM810LOG)	PM810UMG
PM820 power meter unit only, no display, basic instrumentation, THD, alarming, 80 kB logging	PM820UMG
PM850 power meter unit only, no display, basic instrumentation, THD, alarming, 800 kB logging, waveform capture	PM850UMG
PM870 power meter unit only, no display, basic instrumentation, THD, alarming, 800 kB logging, configurable waveform capture and disturbance detection	PM870UMG

Power Meter with integrated display

Use the meter with integrated display for panel mounting when door space is available and when voltage usage is within the local regulation limits.

PM810 power meter with integrated display,	PM810MG
PM820 power meter with integrated display	PM820MG
PM850 power meter with integrated display	PM850MG
PM870 power meter with integrated display	PM870MG

Power Meter with remote display

Conveniently packaged kit consist of a base meter (810, 820, 850 or 870) with a remote display, remote display adapter, and remote display cable 3.65 m (12 ft).

PM810 power meter with remote display	PM810RDMG
PM820 power meter with remote display	PM820RDMG
PM850 power meter with remote display	PM850RDMG
PM870 power meter with remote display	PM870RDMG

Parts and accessories

Remote display adapter with remote display and a 3.65 m (12 ft) cable

Use this combination of remote display, adapter, and 3.65 m (12 ft) cable to equip a base meter unit for use with a remote display. In addition, the display can be carried from meter to meter, enabling you to purchase one display for multiple meters. Each base unit meter must be equipped with a remote display adapter (PM8RDA).

Remote display adapter alone

When added to the front of the base unit (PM8xxU), the adapter brings two additional communication ports: one for the remote display and one 4-wire/2-wire RS 485/RS 232.

Part number list continued on next page.



Power Meter PM870 with ECC module (bottom view showing connectors and configuration switches).



ECC module (front view)



ECC module (side view showing LED indicators).



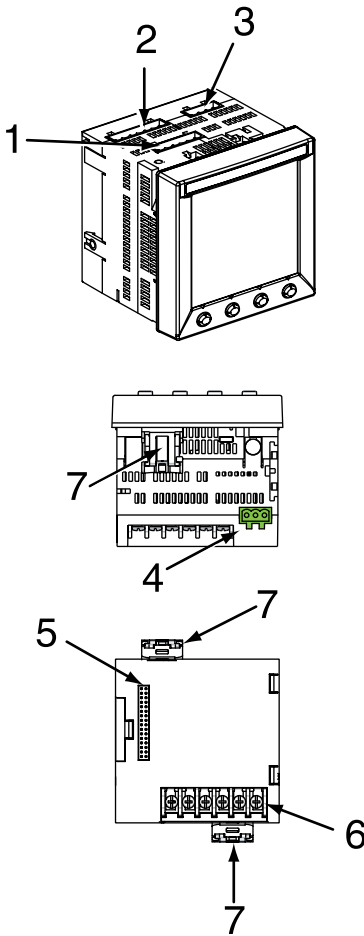
PM8M26 module.



Power Meter PM800 with PM8M22 and PM8M26 modules.

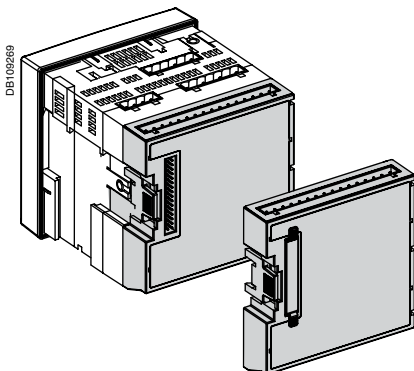
Part Numbers - continued

Description	
Optional modules	
Ethernet communication module provides a 10/100BaseTx UTP port, an RS-485 Modbus serial master port, Ethernet-to-serial line gateway functionality, and an embedded web server that is fully compliant with Transparent Ready - Level 1 (TRe1) systems.	PM8ECC
2 digital outputs (relays), 2 digital inputs	PM8M22
2 digital outputs (relays), 6 digital inputs	PM8M26
2 digital outputs (relays), 2 digital inputs, 2 analog outputs, 2 analog inputs	PM8M2222
PM810 optional logging module for on-board data recording, uses a non-volatile, battery-backed internal clock	PM810LOG
RJ11 Extender kit to mount RJ11 jack in panel door (for use with PM800, CM3000, and CM4000 series meters)	RJ11EXT
Cable for remote display adapter 1.25 m (4 ft)	CAB4
Cable for remote display adapter 3.65 m (12 ft)	CAB12
Cable for remote display adapter 9.14 m (30 ft)	CAB30



Power Meter Series 800 connectors.

1. Control power.
2. Voltage inputs.
3. Digital input/output.
4. RS 485 port.
5. Option module connector.
6. Current inputs.
7. Mounting clips.



Power Meter PM800 Series with I/O module.

Selection guide		PM810	PM820	PM850	PM870
General					
Use on LV and HV systems		■	■	■	■
Current and voltage accuracy		0.1 %	0.1 %	0.1 %	0.1 %
Active energy accuracy		0.5 %	0.5 %	0.5 %	0.5 %
Number of samples per cycle		128	128	128	128
Instantaneous rms values					
Current, voltage, frequency		■	■	■	■
Active, reactive, apparent power	Total and per phase	■	■	■	■
Power factor	Total and per phase	■	■	■	■
Energy values					
Active, reactive, apparent energy		■	■	■	■
Configurable accumulation mode		■	■	■	■
Demand values					
Current	Present and max.	■	■	■	■
Active, reactive, apparent power	Present and max.	■	■	■	■
Predicted active, reactive, apparent power		■	■	■	■
Synchronisation of the measurement window		■	■	■	■
Demand calculation mode Block, sliding, thermal		■	■	■	■
Other measurements					
Hour counter		■	■	■	■
Power quality measurements					
Harmonic distortion	Current and voltage	■	■	■	■
Individual harmonics	Current and voltage	31 ⁽¹⁾	31	63	63
Waveform capture		-	-	■	■ ⁽²⁾
Sag and swell detection		-	-	-	■
Data recording					
Min/max of instantaneous values		■	■	■	■
Data logs		2 ⁽¹⁾	2	4	4
Event logs		-	■	■	■
Trending / forecasting		-	-	■	■
Alarms		■	■	■	■
Time stamping		■ ⁽¹⁾	■	■	■
Display and I/O					
White backlit LCD display		■	■	■	■
Multilingual: English, French, Spanish		■	■	■	■
Digital input		1	1	1	1
Digital output (KY)		1	1	1	1
Input / WAGES metering capability (channels)		5	5	5	5
Communication					
RS 485 port		2-wire	2-wire	2-wire	2-wire
Modbus protocol		■	■	■	■
RS 232/RS 485, 2- or 4-wire Modbus RTU/ASCII (with addition of PM8RDA module)		■	■	■	■

⁽¹⁾ With PM810LOG, battery-backed internal clock and 80 kB memory. ⁽²⁾ Configurable.

Option modules selection guide

The PM800 can be fitted with 2 optional modules, unless otherwise indicated ⁽³⁾

PM8ECC module

10/100BaseTx UTP port, RS-485 Modbus serial master port, Ethernet to serial line gateway, embedded web server

PM8M22 module

2 digital outputs (relays)
2 digital inputs

PM8M26 module

2 digital outputs (relays)
6 digital inputs

This module includes a 24 V DC power supply that can be used to power the digital inputs

PM8M2222 module

2 digital outputs (relays)
2 digital inputs
2 analog outputs 4-20 mA
2 analog inputs 0-5 V or 4-20 mA

⁽³⁾ When using two PM8M2222 the temperature should not exceed 25 °C.

Electrical characteristics

Type of measurement	63rd harmonic, 128 samples per cycle		
Measurement accuracy	Current	0.325 % from 1 A to 10 A	
	Voltage	0.375 % from 50 V to 277 V	
	Power Factor	0.1 % from 1 A to 10 A	
	Power	0.2 %	
	Frequency	±0.02 % from 45 to 67 Hz	
	Active Energy	IEC 62053-22 Class 0.5S	
Reactive Energy	IEC 62053-23 Class 2		
Data update rate	1 s		
Input-voltage characteristics	Measured voltage	0 to 600 V AC (direct L-L) 0 to 347 V AC (direct L-N) up to 3.2 MV AC (with external VT)	
	Metering over-range	1.5 Un	
	Impedance	5 MΩ	
	Frequency measurement range	45 to 67 Hz and 350 to 450 Hz	
Input-current characteristics	CT ratings	Primary	Adjustable from 5 A to 32767 A
		Secondary	1 A or 5 A
	Measurement input range	5 mA to 10 A	
	Permissible overload	15 A continuous 50 A for 10 seconds per hour 500 A for 1 second per hour	
	Impedance	< 0.1 Ω	
	Load	< 0.15 VA	
Control Power	AC	100 to 415 ±10 % V AC, 15 VA with options	
	DC	125 to 250 ±20 % V DC, 10 W with options	
	Ride-through time	45 ms at 120 V AC	
Onboard input/output	Digital output (KY)	6 to 220 ±10 % V AC or 3 to 250 ±10 % V DC, 100 mA max. at 25 °C) 1350 V rms isolation	
	Digital input	20 to 150 V AC/DC (±10 %) < 5 mA max. burden	

Options

PM8M22	Digital outputs (relay)	6 to 240 V AC or 6 to 30 V DC 2 A rms, 5 A max. for 10 seconds per hour	
	Digital inputs	19 to 30 V DC, 5 mA max. at 24 V DC	
PM8M26	Digital outputs (relay)	6 to 240 V AC, 6 to 30 V DC 2 A rms, 5 A max. for 10 seconds per hour	
	Digital inputs	20 to 150 V AC/DC, 2 mA max.	
	24 V internal supply	20 - 34 V DC, 10 mA max. (feeds 6 digital inputs)	
PM8M2222	Digital outputs (relay)	6 to 240 V AC, 6 to 30 V DC 2 A rms, 5 A max. for 10 seconds per hour	
	Digital inputs	20 to 150 V AC/DC, 2 mA max.	
	Analog outputs	4 to 20 mA into 600 Ω max.	
	Analog inputs	Adjustable from 0 to 5 V DC or 4-20 mA	
Switching frequency	PM8M22	Input/output	1 Hz, 50 % duty cycle (500 ms ON/OFF)
		Input	25 Hz, 50 % duty cycle (20 ms ON/OFF)
	PM8M26 and PM8M2222	Output	1 Hz, 50 % duty cycle (500 ms ON/OFF)
Mechanical endurance (digital outputs)	15 million operations		
Electrical endurance (digital outputs)	250000 commutations at 2 A / 250 V AC		

Mechanical characteristics

Weight (meter with integrated display)	0.6 kg		
IP degree of protection (IEC 60529)	IP52 front display, IP30 meter body		
Dimensions	Without options	96 x 96 x 70 mm (mounting surface)	
	With 1 option	96 x 96 x 90 mm (mounting surface)	

Environmental conditions

Operating temperature	Meter	-25 °C to +70 °C ⁽¹⁾	
	Display	-10 °C to +50 °C	
Storage temp.	Meter + display	-40 °C to +85 °C	
Humidity rating	5 to 95 % RH at 40 °C (non-condensing)		
Pollution degree	2		
Installation category	III, for distribution systems up to 347 V L-N / 600 V AC L-L		
Dielectric withstand	As per EN 61010, UL508		
Altitude	3000 m max.		

⁽¹⁾ 65 °C if control power is above 305 V AC.

Electromagnetic compatibility

Electrostatic discharge	Level III (IEC 61000-4-2)
Immunity to radiated fields	Level III (IEC 61000-4-3)
Immunity to fast transients	Level III (IEC 61000-4-4)
Immunity to impulse waves	Level III (IEC 61000-4-5)
Conducted immunity	Level III (IEC 61000-4-6)
Immunity to magnetic fields	Level III (IEC 61000-4-8)
Immunity to voltage dips	Level III (IEC 61000-4-11)
Conducted and radiated emissions	C € industrial environment/FCC part 15 class A EN 55011
Harmonics emissions	IEC 61000-3-2
Flicker emissions	IEC 61000-3-3

Safety

Europe	C €, as per IEC 61010-1 ⁽¹⁾
U.S. and Canada	UL508

Onboard communications

RS 485 port	2-wire, up to 38400 baud, Modbus
-------------	----------------------------------

Model-dependent characteristics

Data Logs	PM810 with PM810LOG, PM820, PM850 and PM870: - 1 billing log - 1 customizable log PM850 and PM870 only: 2 additional custom logs
Min./max.	Worst min. and max. with phase indication for Voltages, Currents, Voltage unbalance, and THD. Min. and max. values for power factor (True and Displacement), power (P, Q, S) and frequency
One event log	Time stamping to 1 second
Trend curves (PM850 and PM870 only)	Four trend curves: 1 minute, 1 hour, 1 day and 1 month. Min./max./avg. values recorded for eight parameters: - every second for one minute for the 1-minute curve - every minute for one hour for the 1-hour curve - every hour for one day for the 1-day curve - every day for one month for the 1-month curve
Hour counter	Load running time in days, hours and minutes
Energy per interval	Up to three user-defined intervals per day Available for all models (the PM810 requires the PM810LOG module)
Forecasting (PM850 and PM870 only)	Forecasting of the values for the trended parameters for the next four hours and next four days
PM850 waveform capture	Triggered manually or by alarm, 3-cycle, 128 samples/cycle on 6 user configurable channels
PM870 enhanced waveform capture	From 185 cycles on 1 channel at 16 samples per cycle up to 3 cycles on 6 channels at 128 samples per cycle
Alarms	Adjustable pickup and dropout setpoints and time delays, numerous activation levels possible for a given type of alarm Historical and active alarm screens with time stamping Response time: 1 second Boolean combination of four alarms is possible using the operators NAND, OR, NOR and XOR on PM850 and PM870 Digital alarms: status change of digital inputs
Memory available for logging and waveform capture ⁽²⁾	80 kbytes in PM810 with PM810LOG and PM820 800 kbytes in PM850 and PM870
Firmware update	Update via the communication ports File download available free from powerlogic.com website
Bar graphs	Graphical representation of system performance

Display characteristics

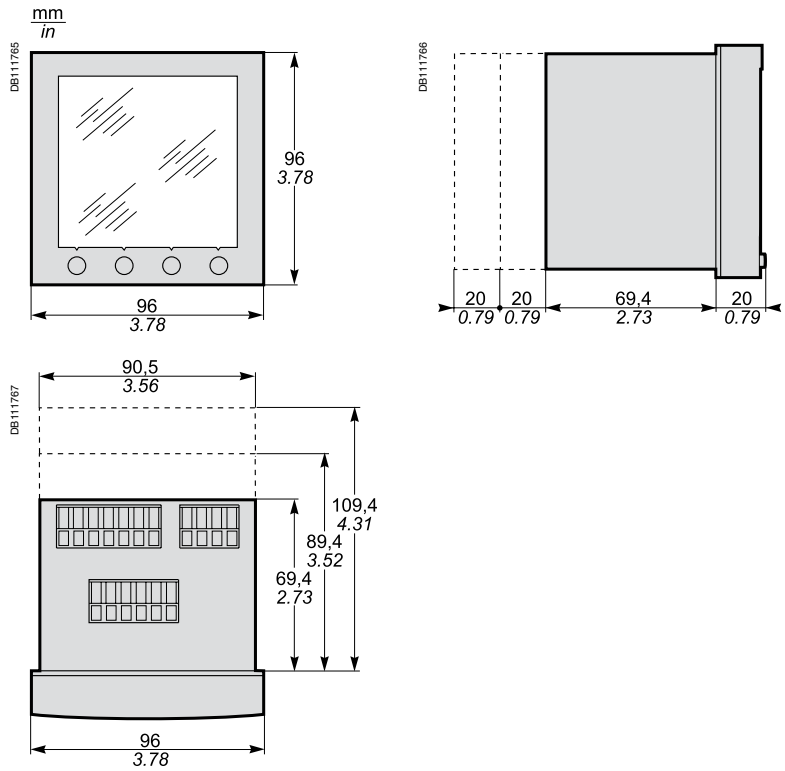
Languages	English, French, Spanish		
Display screen	Back-lit white LCD (6 lines total, 4 concurrent values)		
Dimensions	Display screen viewable area	73 x 69 mm	
	Integrated	Overall	96 x 96 mm
		Depth meter + display	69.4 mm + 17.8 mm
	Remote display	Overall	96 x 96 x 40 mm
Weight	Meter with remote display adapter	0.81 kg	
	Remote display	0.23 kg	

⁽¹⁾ Protected throughout by double insulation.

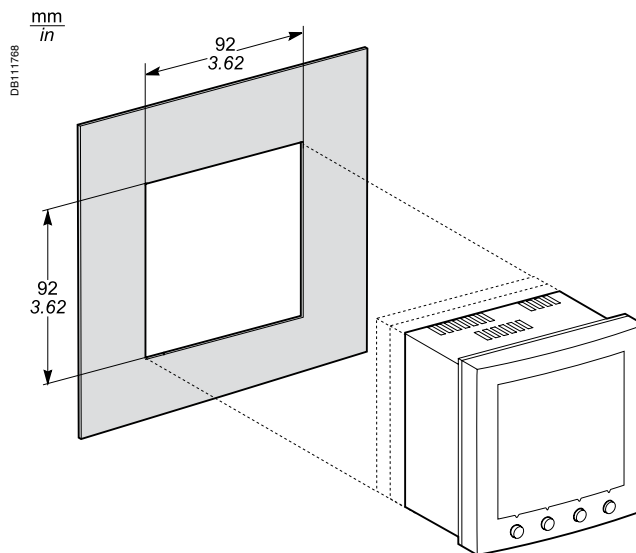
⁽²⁾ Waveform capture with PM850 and PM870 only.

Power meter with integrated display

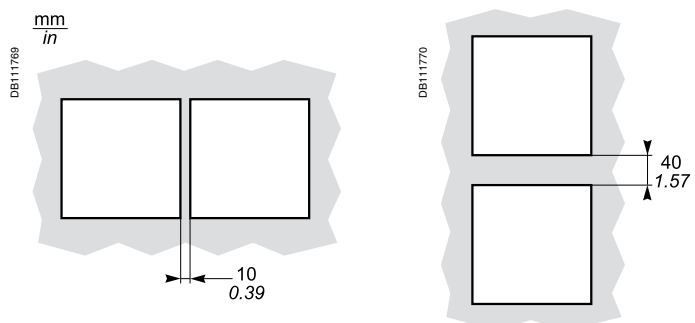
Dimensions



Front-panel mounting (meter with integrated display)

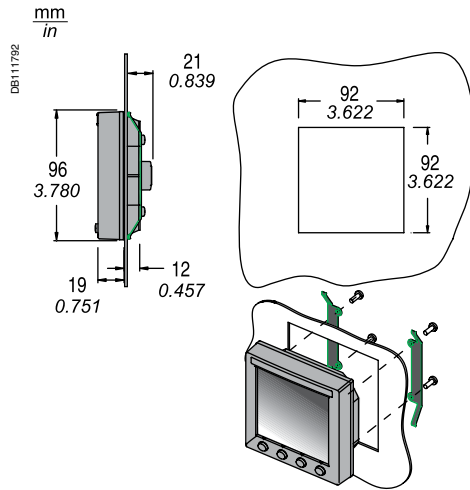


Spacing between units

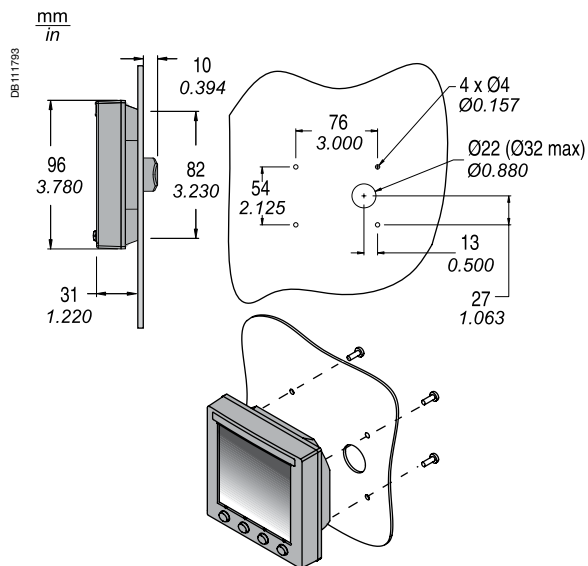


Remote display door mounting

Flush mounting

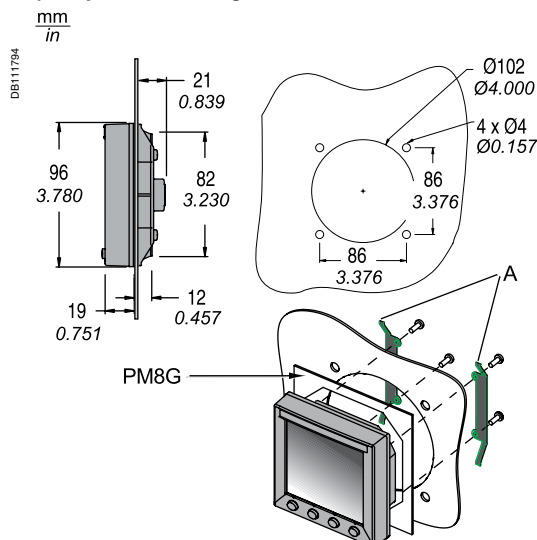


Surface mount

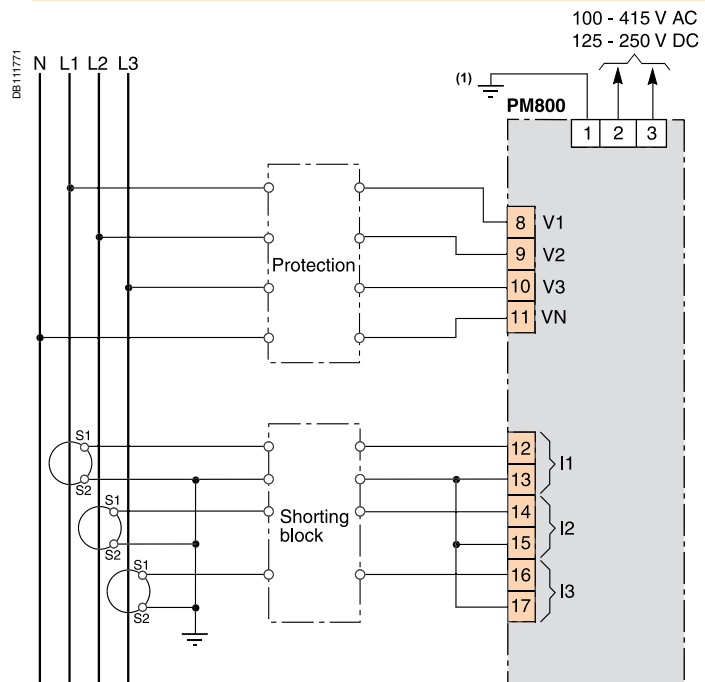


For mounting in a Ø102 cutout

(to replace an analogue device: ammeter, voltmeter, etc.)

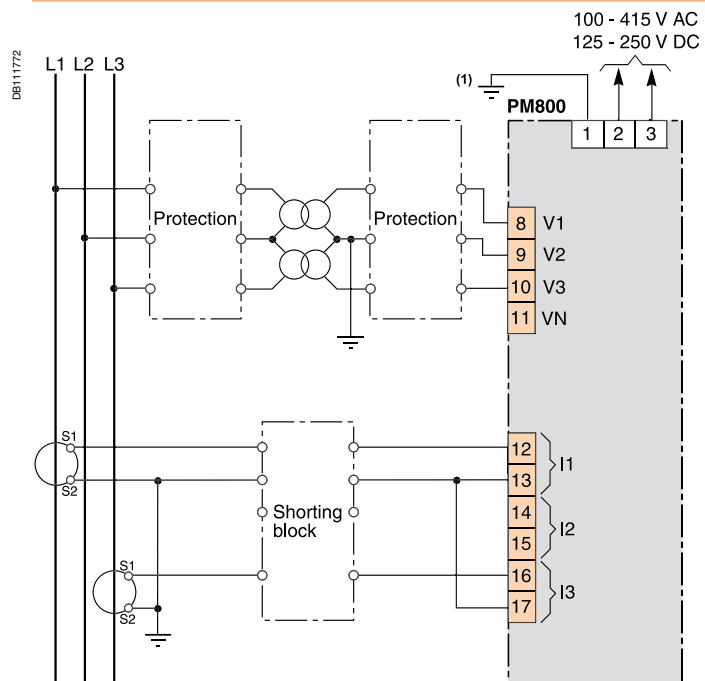


4-wire connection with 3 CTs and no PT



Connection example.

3-wire connection with 2 CTs and 2 PTs

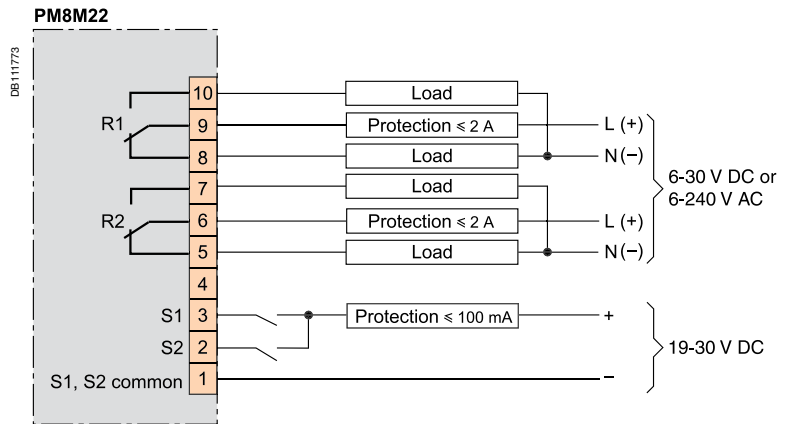


Connection example.

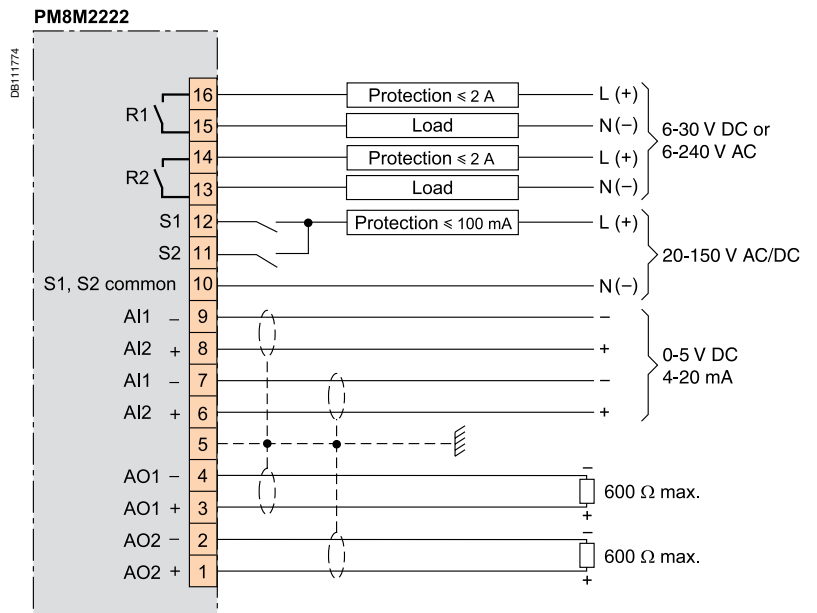
(1) Functional earth terminal.

Note: other types of connection are possible. See product documentation.

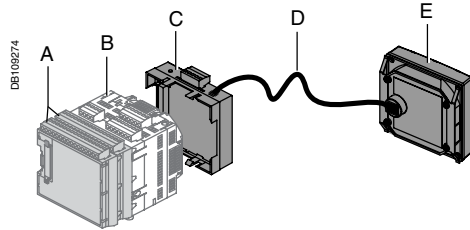
PM8M22 module



PM8M2222 module

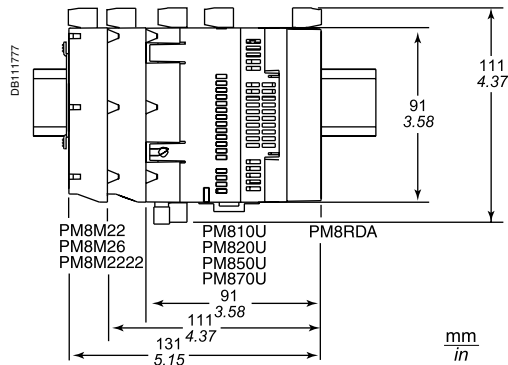


Remote display kit

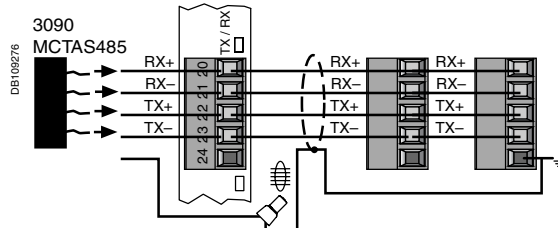


- A. I/O modules
- B. Power meter 800 series (base unit)
- C. Remote display adapter
- D. CAB12 cable
- E. Remote display (rear view)

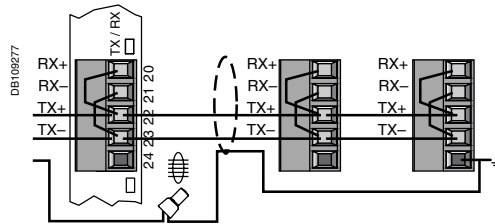
Dimension (meter with I/O and remote display adapter)



4-wire connection (RS 485) of remote display adapter



2-wire connection (RS 485) of remote display adapter



Wiring color codes

2-wire connections

Belden 9841 cable:

- (+) blue, white stripe
- (-) white, blue stripe
- (shield) silver

4-wire connections

Belden 9843 cable:

- (TX+) blue, white stripe
- (TX-) white, blue stripe
- (RX+) orange, white stripe
- (RX-) white, orange stripe
- (SG) green, white stripe
- (unused) white, green stripe
- shield

Belden 9842 cable:

- (TX+) blue, white stripe
- (TX-) white, blue stripe
- (RX+) orange, white stripe
- (RX-) white, orange stripe
- shield

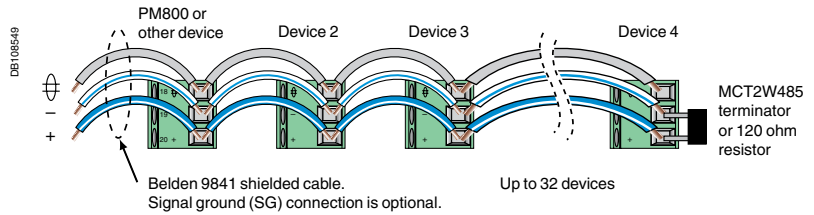
Belden 8723 cable:

- (TX+) green
- (TX-) white
- (RX+) red
- (RX-) black
- shield

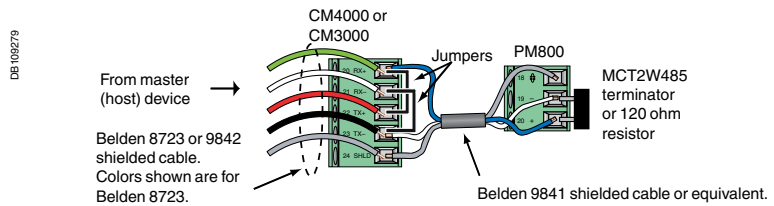
Surge protection

For surge protection, it is recommend that the shield wire be connected directly to an external earth ground at a single point.

PM800 meter unit RS-485 port 2-wire daisy-chain connection

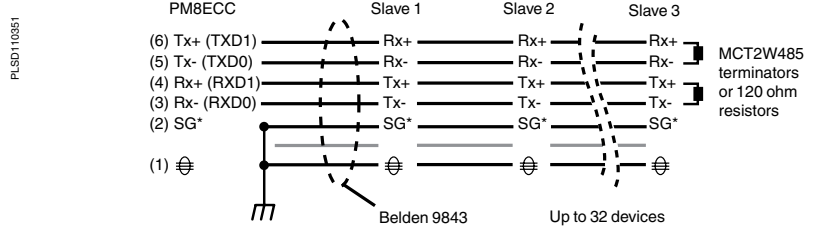


PM800 meter unit RS-485 port 4-wire to 2-wire Modbus or Jbus connection



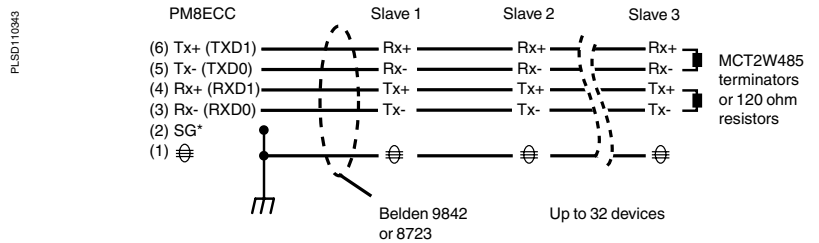
Power Meter Series 800 Installation and connection (cont.)

PM8ECC module RS-485 port connections for 4-wire devices that support separate signal ground and shield wire



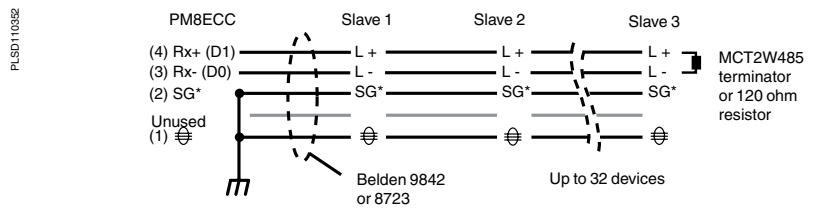
Note: SG is signal ground.

PM8ECC module RS-485 port connections 4-wire devices that do not support separate signal ground and shield wire



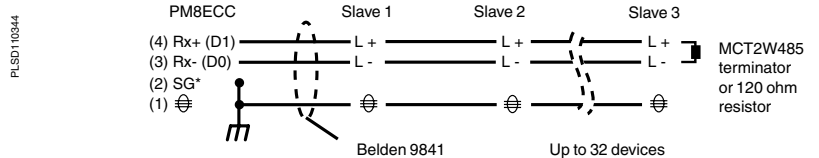
Note: SG is signal ground.

PM8ECC module RS-485 port connections for 2-wire devices that support separate signal ground and shield wire



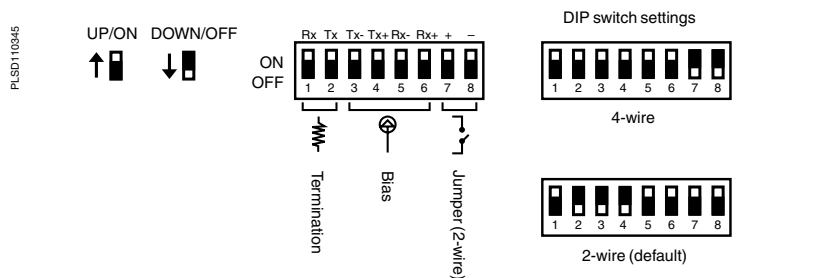
Note: SG is signal ground.

PM8ECC module RS-485 port connections 2-wire devices that do not support separate signal ground and shield wire



Note: SG is signal ground.


PM8ECC module RS-485 port biasing and termination



Schneider Electric Industries SAS
89, boulevard Franklin Roosevelt
F - 92500 Reuil-Malmaison (France)

<http://www.powerlogic.com>
<http://www.schneider-electric.com>
<http://www.merlin-gerin.com>

As standards, specifications and designs develop from time, always ask for confirmation of the information given in this publication. PowerLogic, System Manager, Modbus, ION and ION Enterprise are either trademarks or registered trademarks of Schneider Electric.

 Printed on recycled paper.

Design: Schneider Electric
Photos: Schneider Electric
Printed: xxxxx