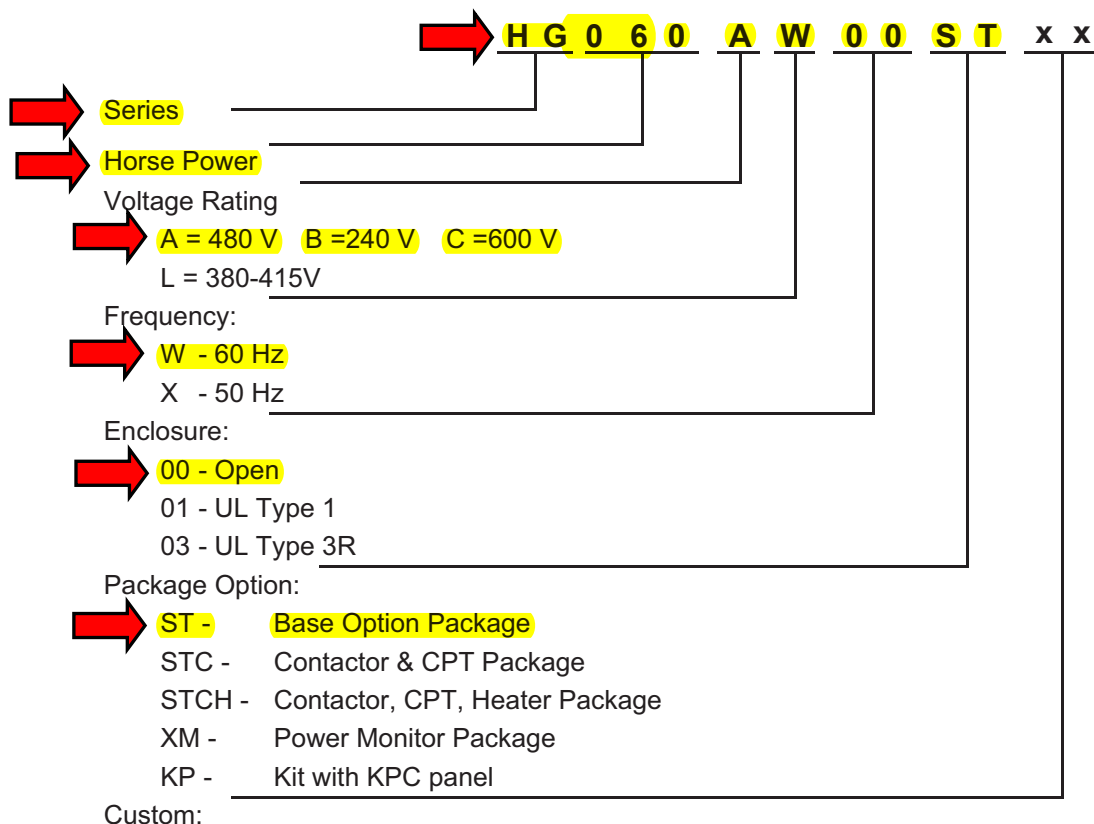


HG7 HarmonicGuard Series Drive-Applied Filter

➔ **Cross Reference RA Part Number PN-153145**

HG7 Part Numbering System



HG7

DC Filters are also available. Please contact factory for more information: 800-824-8282

Power Monitor Package

The Power Monitor package includes contactors and filter monitoring equipment. For units rated at 60 horsepower and below, the XM package utilizes indicator lights for filter operation and fuse failure. From 75 HP through 400 HP, the XM package uses the HG2 Protection Monitor/ Harmonic-Power Factor meter. Please see product brochure for further details.

HG7 480V Open

480V Open ST & XM	Open Part Number	HP	kVar	Dimensions (in.)	List Price	Power Monitor Open Part Number	XM Open Price
				Height x Width x Depth			
	HG8AW00ST	7.5	3	19.75 x 17.00 x 6.50	\$1,851.00	HG8AW00XM	\$2,212.00
	HG10AW00ST	10	3	19.75 x 17.00 x 6.50	\$1,997.00	HG10AW00XM	\$2,285.00
	HG15AW00ST	15	5	19.75 x 17.00 x 8.00	\$2,187.00	HG15AW00XM	\$3,648.00
	HG20AW00ST	20	6	19.75 x 17.00 x 8.00	\$2,360.00	HG20AW00XM	\$4,391.00
	HG25AW00ST	25	8	19.75 x 17.00 x 8.00	\$2,457.00	HG25AW00XM	\$4,735.00
	HG30AW00ST	30	10	30.75 x 17.00 x 9.25	\$2,620.00	HG30AW00XM	\$5,050.00
	HG40AW00ST	40	15	30.75 x 17.00 x 9.25	\$3,124.00	HG40AW00XM	\$5,396.00
	HG50AW00ST	50	15	30.75 x 17.00 x 9.25	\$3,470.00	HG50AW00XM	\$5,549.00
	HG60AW00ST	60	20	30.75 x 17.00 x 9.25	\$3,862.00	HG60AW00XM	\$6,945.00
	HG75AW00ST	75	25	30.75 x 17.00 x 9.25	\$4,303.00	HG75AW00XM	\$6,963.00
	HG100AW00ST	100	30	30.75 x 17.00 x 9.50	\$6,127.00	HG100AW00XM	\$8,547.00
	HG125AW00ST	125	40	56.00 x 17.00 x 12.00	\$6,287.00	HG125AW00XM	\$10,812.00
	HG150AW00ST	150	45	56.00 x 17.00 x 12.50	\$7,809.00	HG150AW00XM	\$12,236.00
	HG200AW00ST	200	60	67.00 x 17.00 x 14.00	\$9,956.00	HG200AW00XM	\$13,577.00
	HG250AW00ST	250	75	67.00 x 17.00 x 14.00	\$11,986.00	HG250AW00XM	\$18,272.00
	HG300AW00ST	300	90	67.00 x 17.50 x 14.00	\$13,951.00	HG300AW00XM	\$18,974.00
	HG350AW00ST	350	105	67.00 x 17.50 x 14.00	\$15,224.00	HG350AW00XM	\$20,060.00
	HG400AW00ST	400	120	40.00 x 40.00 x 20.00	\$16,628.00	HG400AW00XM	\$23,789.00
	HG450AW00ST	450	150	40.00 x 40.00 x 20.00	\$19,596.00	HG450AW00XM	\$26,006.00
	HG500AW00ST	500	150	40.00 x 40.00 x 20.00	\$20,402.00	HG500AW00XM	\$26,269.00
	HG600AW00ST	600	180	45.00 x 45.00 x 24.00	\$23,056.00	HG600AW00XM	\$29,664.00
	HG700AW00ST	700	210	45.00 x 45.00 x 24.00	\$27,168.00	HG700AW00XM	\$34,727.00
	HG800AW00ST	800	240	45.00 x 45.00 x 24.00	\$31,091.00	HG800AW00XM	\$40,117.00
	HG900AW00ST	900	270	45.00 x 45.00 x 24.00	\$32,759.00	HG900AW00XM	\$43,422.00

480V Open STC	Open Part Number	HP	kVar	Watts Loss	Dimensions (in.)	Open Weight	Open List Price
					Height x Width x Depth		
	HG8AW00STC	7.5	3	200	19.75 x 17.00 x 6.75	45	\$2,129.00
	HG10AW00STC	10	3	200	19.75 x 17.00 x 6.75	45	\$2,255.00
	HG15AW00STC	15	5	275	19.75 x 17.00 x 8.00	55	\$2,515.00
	HG20AW00STC	20	6	300	19.75 x 17.00 x 8.00	65	\$2,820.00
	HG25AW00STC	25	8	325	30.75 x 17.00 x 8.00	75	\$3,082.00
	HG30AW00STC	30	10	375	30.75 x 17.00 x 10.00	85	\$3,377.00
	HG40AW00STC	40	15	625	30.75 x 17.00 x 10.00	125	\$3,712.00
	HG50AW00STC	50	15	650	30.75 x 17.00 x 10.00	135	\$4,086.00
	HG60AW00STC	60	20	825	30.75 x 17.00 x 10.00	140	\$4,582.00
	HG75AW00STC	75	25	950	30.75 x 17.00 x 10.00	145	\$5,162.00
	HG100AW00STC	100	30	975	56.00 x 17.00 x 10.00	205	\$7,128.00
	HG125AW00STC	125	40	1150	56.00 x 17.00 x 14.00	225	\$7,676.00
	HG150AW00STC	150	45	1450	56.00 x 17.00 x 14.00	265	\$8,980.00
	HG200AW00STC	200	60	1775	67.00 x 17.00 x 14.00	360	\$11,450.00
	HG250AW00STC	250	75	2050	67.00 x 17.00 x 14.00	370	\$13,784.00
	HG300AW00STC	300	90	2500	60.00 x 32.00 x 19.00	445	\$17,004.00
	HG350AW00STC	350	105	2725	60.00 x 32.00 x 19.00	470	\$18,686.00
	HG400AW00STC	400	120	3100	40.00 x 40.00 x 20.00	570	\$21,314.00
	HG450AW00STC	450	150	3350	40.00 x 40.00 x 20.00	690	\$24,380.00
	HG500AW00STC	500	150	3500	40.00 x 40.00 x 20.00	725	\$25,223.00
	HG600AW00STC	600	180	3500	45.00 x 45.00 x 24.00	1000	\$28,120.00