

THREE PHASE DRY TYPE TRANSFORMER  
**ALLEN-BRADLEY**  
 MILWAUKEE, WI. USA

**AI**<sup>®</sup> P/N **QPP6847**  
 E112313

**SA**<sup>®</sup> LR3902  
 HV **480V**  
 LV **208Y/120V**

**CLASS AN**  
**TYPE J**  
**TEMP. RISE °C 80**  
**TEMP. CLASS °C 180**  
**FREQ. Hz 60**  
**IMPEDANCE % @ 100 °C 3.3**  
**ENCL. TYPE -**  
**WEIGHT LBS 290**  
**INS. SYSTEM 180-1**

**SERIAL NO:** cab3001e

VOLTS	% RATED VOLTAGE	CONNECTION
504	105	1-2
492	102.5	2-3
480	100	3-4
468	97.5	4-5
456	95	5-6

**BILL kV**  
**H1 H2 H3**  
**X0 X1 X2 X3**

**198268** SIM 40022-052-05 TP1  
 COPPER WINDING  
 MEETS TP-1-2002 EFFICIENCY

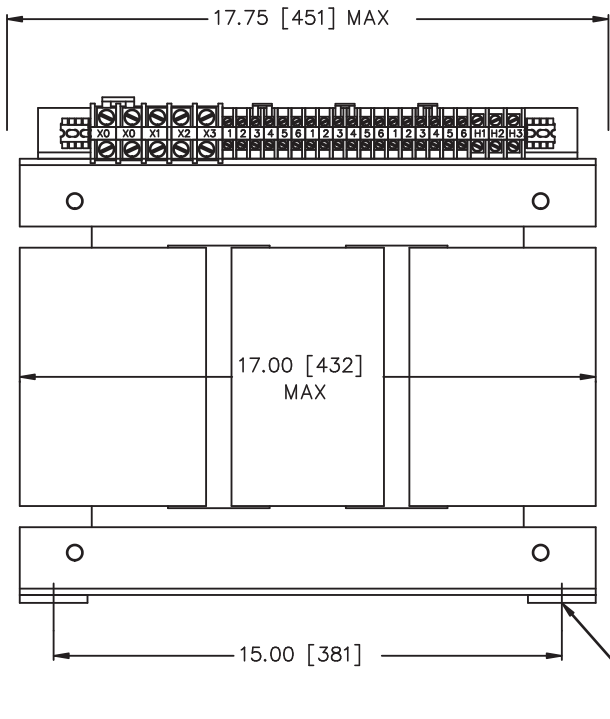


TITLE: 3PH DISTRIBUTION TRANSFORMER NAMEPLATE INFORMATION

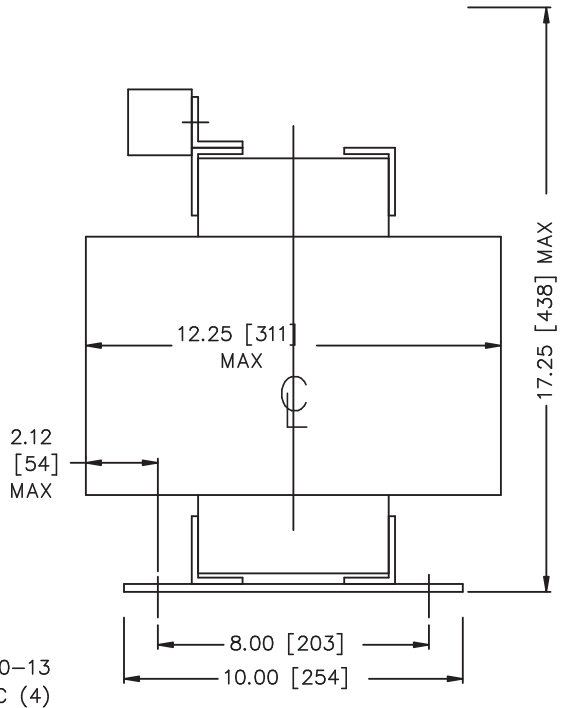
DES: MCHRISTM
DATE: 11/01/18
SCALE: NTS

NO.	DATE	BY	REVISION

SHEET 1 OF 2  
**EDB 198268**



FRONT\_VIEW



SIDE\_VIEW



TITLE: 3PH DISTRIBUTION TRANSFORMER  
MECHANICAL INFORMATION

				DES: MCHRISTM
				DATE: 11/01/18
NO.	DATE	BY	REVISION	SCALE: NTS

SHEET 2 OF 2

EDB 198268

0.1 mchristman 2011/01/21 16:44