



Hammond Power Solutions Inc.

TITLE: 3PH DISTRIBUTION TRANSFORMER	
NAMEPLATE INFORMATION	
NO.	1
DATE	13/06/18
BY	CY
REVISION	REVISED P/N
SCALE:	DES: GPATEL
NTS	DATE: 11/11/14

SHEET 1 OF 2

EDB 201764

→ Cross Reference RA Part Number PN-210298

THREE PHASE DRY TYPE TRANSFORMER ALLEN BRADLEY CAT. No. **PN-210298**

ALLEN-BRADLEY MILWAUKEE, WI. USA

LR3902 HV E112313 LV

VOLTS	% RATED VOLTAGE	CONNECTION
630	105	1-2
615	102.5	2-3
600	100	3-4
585	97.5	4-5
570	95	5-6

V **600V** **208Y/120V**

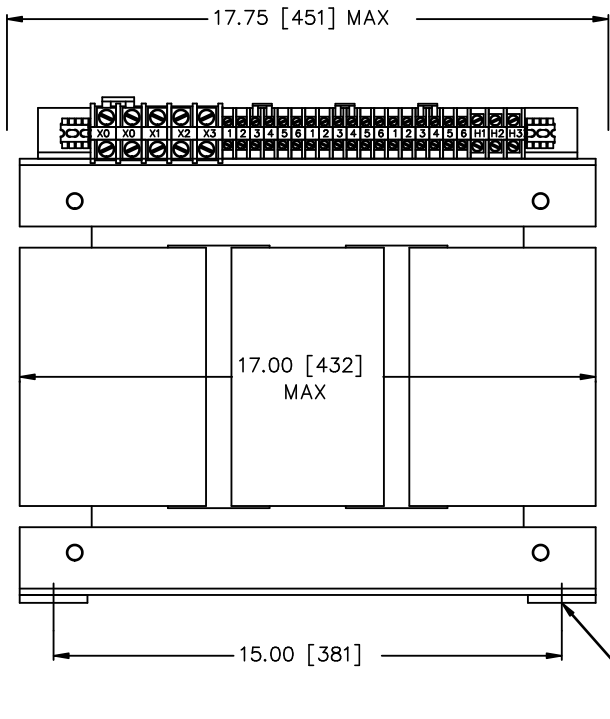
kV BIL **-** **-**

H1 H2 H3 **X0 X1 X2 X3**

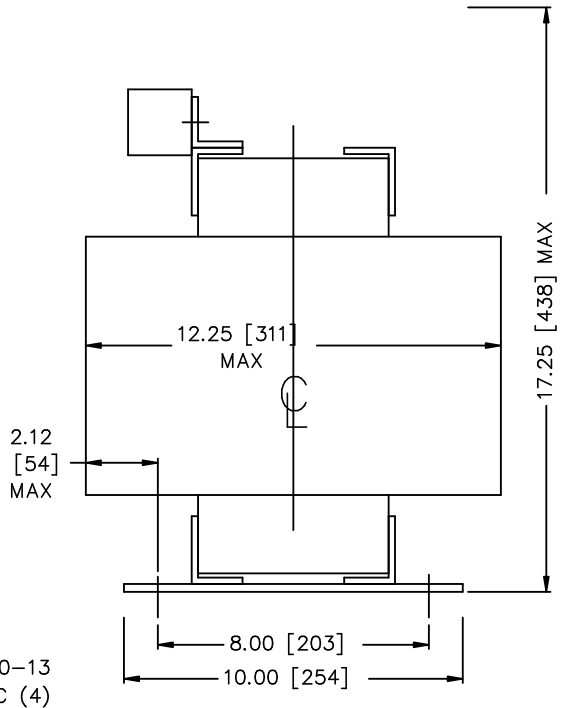
ENERGY EFFICIENCY **CSA C802.2-00** **NEMA TP 1-2002**

201764 COPPER WINDING

kVA	30
CLASS	AN
TYPE	J
TEMP. RISE °C	130
TEMP. CLASS °C	200
FREQ. Hz	60
IMPEDANCE % @ 150 °C	3.9
ENCL. TYPE	-
WEIGHT LBS	250
PART NO.	201764
SERIAL NO:	cab3084e



FRONT_VIEW



SIDE_VIEW



TITLE: 3PH DISTRIBUTION TRANSFORMER
MECHANICAL INFORMATION

1	13/06/18	CY	REVISED P/N	DES: GPATEL
				DATE: 11/11/14
NO.	DATE	BY	REVISION	SCALE: NTS

SHEET 2 OF 2
EDB 201764

1.0 cym 2016/5/10/5:13:15