

K-Frame

100% Rated Digitrip OPTIM 550 Electronic Circuit Breakers with Interchangeable Rating Plug

Order as individual components: Breaker Frame (which includes Trip Unit), Rating Plug, Terminals.

Table 12-80. 100% Rated Digitrip OPTIM 550 Electronic Circuit Breakers with Interchangeable Rating Plug

Maximum Continuous Ampere Rating @ 40°C	Circuit Breaker Frame Only						Digitrip OPTIM Rating Plug Only	
	L – Adjustable Long Delay Pickup (I _p) with Adjustable Long Delay Time (I ² t or I ⁴ t Response) ①						Ampere Rating	Fixed Rating Plug
	S – Adjustable Short Delay Pickup with Adjustable Short Delay Time (I ² t or Flat Response)							
	I – Adjustable Instantaneous Pickup							
G – Adjustable Ground Fault Pickup with Adjustable Ground Fault Time (I ² t or Flat Response)								
A – Adjustable Ground Fault Alarm with Adjustable Ground Fault Time (I ² t or Flat Response)								
OPTIM 550 ②								
LSI		LSIG		LSIA				
Catalog Number	Price U.S. \$	Catalog Number	Price U.S. \$	Catalog Number	Price U.S. \$	Catalog Number	Price U.S. \$	

3-Pole Standard Interrupting Capacity 600V AC Rated 35 kAIC @ 480V AC

125	CKD3125T52W	3,905.	CKD3125T56W	4,715.	CKD3125T57W	4,245.	70	ORPK125A70	112.
							90	ORPK125A90	112.
							100	ORPK125A100	112.
							110	ORPK125A110	112.
							125	ORPK125A125	112.
250	CKD3250T52W	4,815.	CKD3250T56W	6,160.	CKD3250T57W	5,550.	125	ORPK025A125	112.
							150	ORPK025A150	112.
							175	ORPK025A175	112.
							200	ORPK025A200	112.
							225	ORPK025A225	112.
							250	ORPK025A250	112.
400	CKD3400T52W	4,815.	CKD3400T56W	6,160.	CKD3400T57W	5,550.	200	ORPK40A200	112.
							225	ORPK40A225	112.
							250	ORPK40A250	112.
							300	ORPK40A300	112.
							350	ORPK40A350	112.
							400	ORPK40A400	112.

3-Pole High Interrupting Capacity 600V AC Rated 65 kAIC @ 480V AC

125	CHKD3125T52W	6,110.	CHKD3125T56W	6,930.	CHKD3125T57W	6,510.	70	ORPK125A70	112.
							90	ORPK125A90	112.
							100	ORPK125A100	112.
							110	ORPK125A110	112.
							125	ORPK125A125	112.
250	CHKD3250T52W	7,020.	CHKD3250T56W	8,380.	CHKD3250T57W	7,700.	125	ORPK025A125	112.
							150	ORPK025A150	112.
							175	ORPK025A175	112.
							200	ORPK025A200	112.
							225	ORPK025A225	112.
							250	ORPK025A250	112.
400	CHKD3400T52W	7,020.	CHKD3400T56W	8,380.	CHKD3400T57W	7,700.	200	ORPK40A200	112.
							225	ORPK40A225	112.
							250	ORPK40A250	112.
							300	ORPK40A300	112.
							350	ORPK40A350	112.
							400	ORPK40A400	112.

① Long delay I⁴t response selection limits short delay time to flat response.

② Zone Interlocking, PowerNet, or both features can be added at the factory by adding Suffixes **ZG**, **PN** or **ZGP** respectively to above Catalog Number (Refer to Page 12-184 and take list price Adder x 1.25).

Note: Instruction Leaflet/FRED Number 29C104.

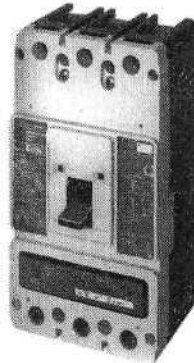
12

K-Frame

Contents

Description	Page
Product Description	12-37
Technical Data and Specifications	12-37
Dimensions/Weights	12-39
Product Selection	12-40

K-Frame



Typical K-Frame Circuit Breaker

Product Description

- All K-Frame Circuit Breakers are HACR rated.
- K-Frame circuit breakers are available as individual components (Frame, Trip Unit, Terminals), or factory assembled complete breakers.
- K-Frame circuit breakers with non-interchangeable trip units are suitable for reverse feed use.

Technical Data and Specifications

Table 12-62. NEMA/UL489/CSA Interrupting Capacity Ratings

Circuit Breaker Type	Number of Poles	Interrupting Capacity (Symmetrical Amperes) (kA)				
		Volts AC (50/60Hz)				Volts DC
		240	277	480	600	
DK	2, 3	65	—	—	—	10
KDB	2, 3, 4	65	—	35	25	10
KD	2, 3, 4	65	—	35	25	10
HKD	2, 3, 4	100	—	65	35	22
KDC	2, 3, 4	200	—	100	50	22
CKD	3	65	—	35	25	10
CHKD	3	100	—	65	35	22



① 2-pole circuit breaker or two outside poles of 3-pole circuit breaker.

② Time constant is 3 milliseconds minimum at 10 kA and 8 milliseconds minimum at 22 kA.

Table 12-63. IEC 157-1 (P1) Interrupting Capacity Ratings

Circuit Breaker Type	Number of Poles	Interrupting Capacity (Symmetrical Amperes) (kA)						
		Volts AC (50/60Hz)						Volts DC
		240	380	415	440	500	600	
DK	2, 3	65	—	—	—	—	—	10
KDB	2, 3, 4	65	40	40	—	—	—	10
KD	2, 3, 4	65	40	40	—	—	—	10
HKD	2, 3, 4	100	65	65	—	—	—	22
KDC	2, 3, 4	200	100	100	—	—	—	22

③ 2-pole circuit breaker or two outside poles of 3-pole circuit breaker.

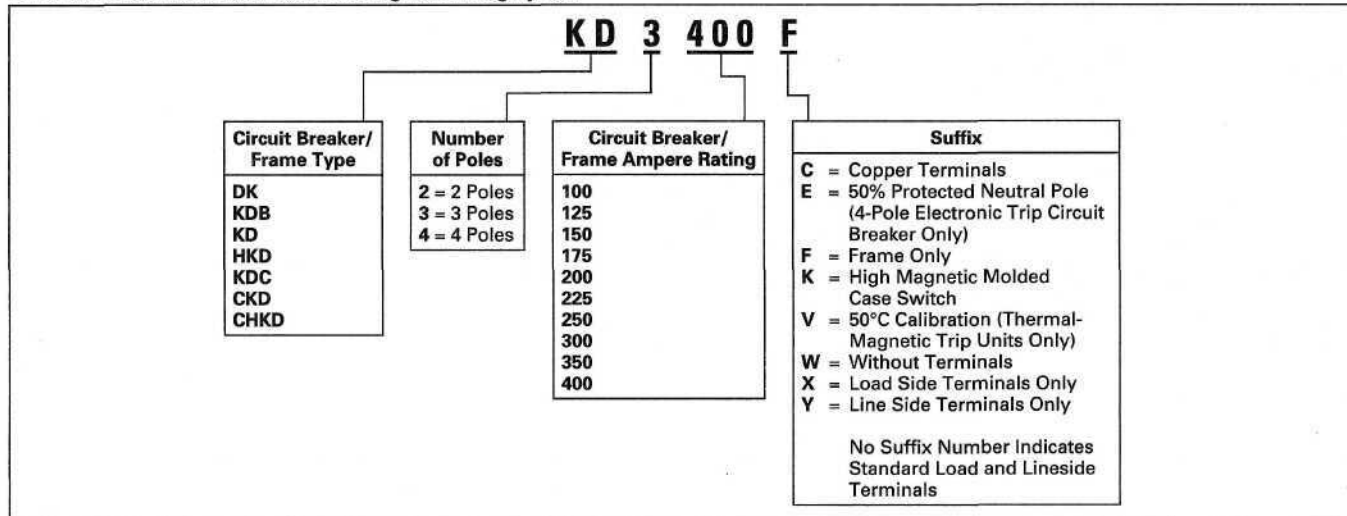
④ Time constant is 3 milliseconds minimum at 10 kA and 8 milliseconds minimum at 22 kA.

K-Frame

Product Selection

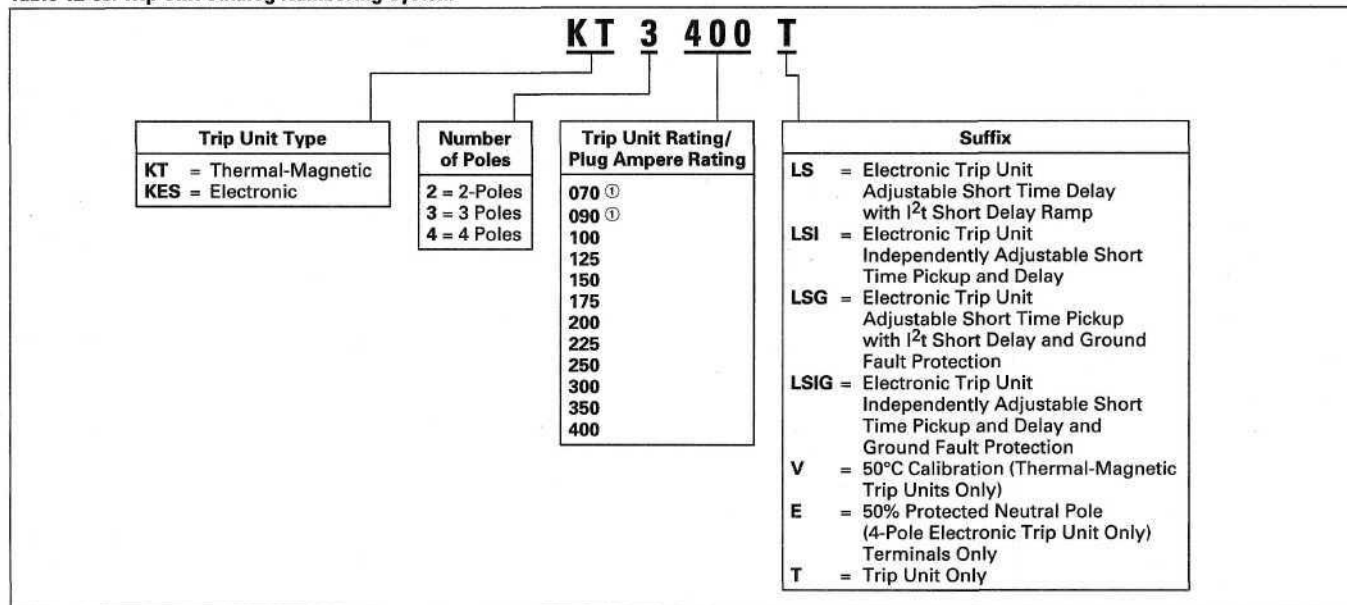
This information is presented only as an aid to understanding Catalog Numbers. It is not to be used to build Catalog Numbers for circuit breakers or trip units.

Table 12-67. Circuit Breaker/Frame Catalog Numbering System



12

Table 12-68. Trip Unit Catalog Numbering System



① Ampere rating available with electronic trip unit only.

Table 12-69. OPTIM Circuit Breaker/Frame Catalog Numbering System

