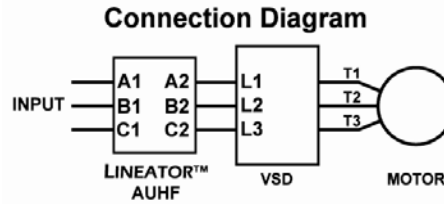
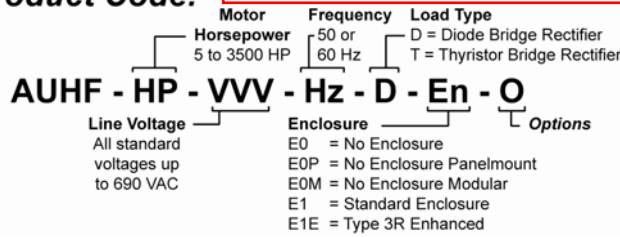


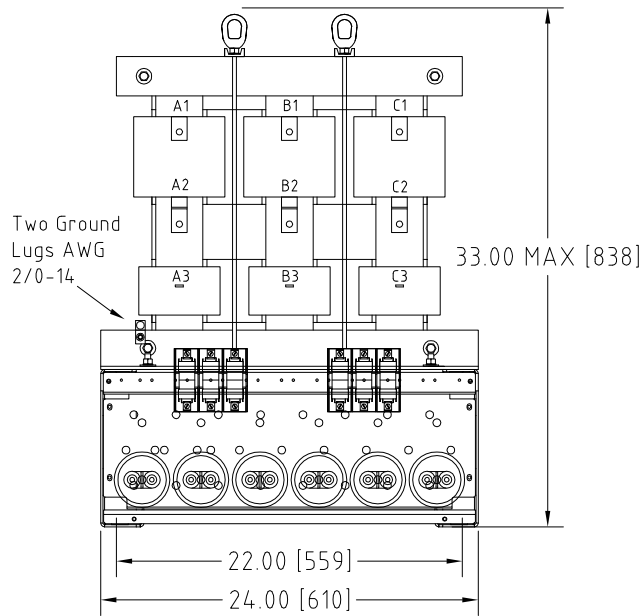
Product Code: **AUHF-250-600-60-D-EOP-CONT-250-C6**



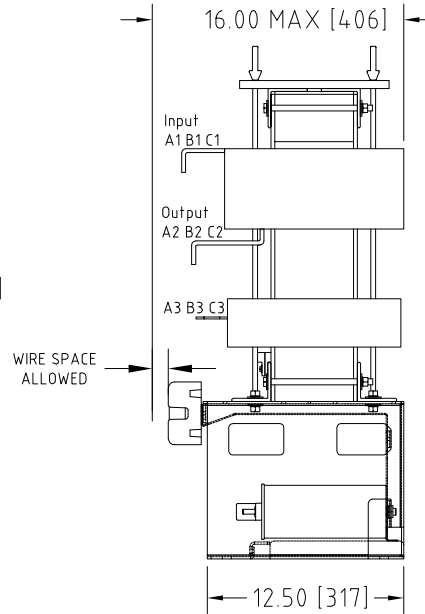
GENERAL SPECIFICATIONS:	
RATING	For motor/drive system sizes 5HP(4kW) to 3500HP(2600kW)
VOLTAGE	Standard voltages up to 690V
FREQUENCY	60Hz (50Hz available)
OVERLOAD CAPABILITY	Suitable for overload of 150% for 60 seconds every 10 minutes
HARMONICS TREATED	All harmonics 5 th and higher
K-FACTOR SUITABILITY	Up to 20 (Reduced to <1.5 on input of AUHF)
MAXIMUM CAPACITIVE REACTIVE CURRENT @ N.L.	< 20% of rated input current
INPUT CURRENT	< 8% @ Full Load
DISTORTION	
EFFICIENCY	> 99%
ELEVATION	≤ 3300ft [1000m] above sea level
VENTILATION	Convection air cooled
AMBIENT TEMPERATURE	≤ 104 Deg F [40 Deg C]
WINDING MATERIAL	Copper
ENCLOSURE	Type: TYPE-3R, Colour: ANSI 61 Grey Paint: Polyester powder coated Wall Mtg Capability: 5 to 200HP
OPTIONS:	TYPE-3R Enhanced Outdoor Ventilated Enclosure, Fan Cooling (150-350HP), Hinged Doors (150-350HP)

Motor Size		Lineator Rating (3-Phase)				480V (60Hz)				600V (60Hz), 690V (50-60Hz)			
HP	kW	Input Amps			Output kW	Standard Enclosure		Enhanced Enclosure		Standard Enclosure		Enhanced Enclosure	
		460/480V 60Hz	575/600V 60Hz	660/690V 50/60Hz		Case Style	Weight lbs [kg] ^[1]	Case Style	Weight lbs [kg] ^[1]	Case Style	Weight lbs [kg] ^[1]	Case Style	Weight lbs [kg] ^[1]
5	4	7	5	5	4.5								
7.5	5.5	9	7	6	6.3								
10	7.5	12	10	8	8.5								
15	11	17	14	12	13								
20	15	23	18	16	17								
25	18.5	29	23	20	21								
30	22	34	28	24	25								
40	30	46	37	32	34								
50	37.5	57	45	40	42								
60	45	69	55	48	51								
75	55	85	68	59	63								
100	75	113	90	79	84								
125	90	141	112	98	104								
150	110	169	135	118	125								
200	150	226	180	158	168								
250	185	281	225	196	209								
300	200	337	270	235	251								
350	250	395	315	275	292								
400	315	470	375	325	349								
500	400	595	475	415	443								
600	450	670	535	470	499								
700	500	780	625	545	579								
800	560	890	715	620	662								
900	630	990	795	690	736								
1000	710	1100	880	770	818								
1100	800	1210	970	845	900								
1200	900	1330	1060	925	987								
1300	970	1430	1145	1000	1064								
1400	1000	1540	1235	1075	1145								
1500	1120	1650	1325	1155	1228								
1600	1200	1770	1415	1235	1316								
1800	1350	1990	1595	1390	1481								
2000	1450	2200	1765	1535	1636								
2300	1700	2530	2030	1765	1882								
2500	1850	2755	2205	1920	2045								
2800	2100	3100	2480	2160	2303								
3000	2250	3320	2660	2315	2468								
3500	2600	3855	3085	2685	2618								

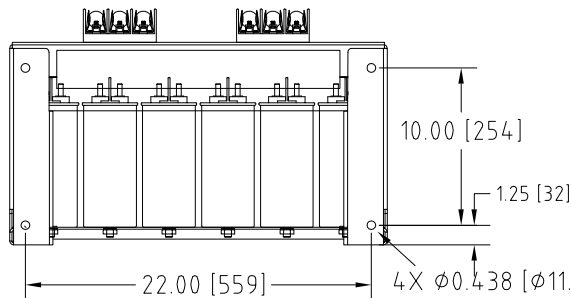
Rev. No.	Revision Note	Date	By	Checked
A9	Replaced Caps to ASC 100uF, 620V	18 FEB 12	YM	YM
A10	Changed width of the bottom bracket from 20" to 24"	21 FEB 12	YM	YM



Front View



Side View

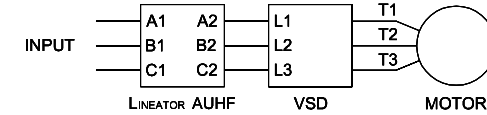


Bottom View

NOTE:

This open style unit is not equipped with panel mount brackets. If panel mounting is desired, a suitable bracket must be provided by others.

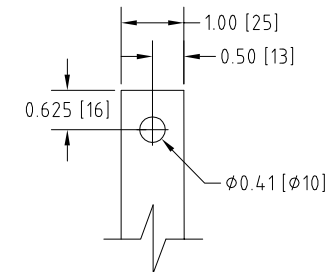
Connection Diagram



UNIT SPECIFICATIONS				INPUT	OUTPUT	APPROX. WT
HP [kW]	PHASE	VOLTS	Hz	AMPS	kW	lb [kg]
250 [185]	3	600	60	225	209	510 [232]

NOTES:

- CUSTOMER IS RESPONSIBLE FOR INSTALLATION TO MEET ALL NATIONAL AND LOCAL ELECTRICAL CODES AND OTHER APPLICABLE ELECTRICAL SAFETY AUTHORITIES.
- CUSTOMER IS RESPONSIBLE FOR PROPER COOLING OF FILTER COMPONENTS. ALLOWED AMBIENT: MAXIMUM 60°C, MINIMUM -40°C. A MINIMUM CLEARANCE OF 2" MUST BE ALLOWED ON BOTH RIGHT AND LEFT SIDES. PROPER VENTILATION MUST ENSURE THAT SUPPLY AIR FLOWS THROUGH THE REACTOR COILS FROM BELOW THE UNIT.



Input A1,B1,C1 & Output A2,B2,C2
TERMINALS
THICKNESS 1/4"

MIRUS International Inc.

31 Sun Pac Boulevard, Brampton, ON, Canada L6S 5P6
Tel: (905) 494-1120 Fax: (905) 494-1140 Toll Free: 1-888-TO MIRUS

Unless otherwise specified, dimensions are in inches and [mm].	Drawn By EH	Date Created 22-Jun-06	Checked by YM	Approved by - date YM-22-Jun-06	Scale NTS
--	----------------	---------------------------	------------------	------------------------------------	--------------

The information contained herein is the sole property of MIRUS International Inc. Any form of reproduction, distribution and/or disclosure of this information, all or in part, is strictly prohibited without the express written consent of MIRUS International Inc.		Title 250 HP, 600 V, 60 Hz LINEATOR™ AUHF (Open Style)
Filename AUHF-250-600-60-D-E0P-A10	Revision A10	Sheet 1/1