



Item # **722-0003** VAC, Clip FLush Round



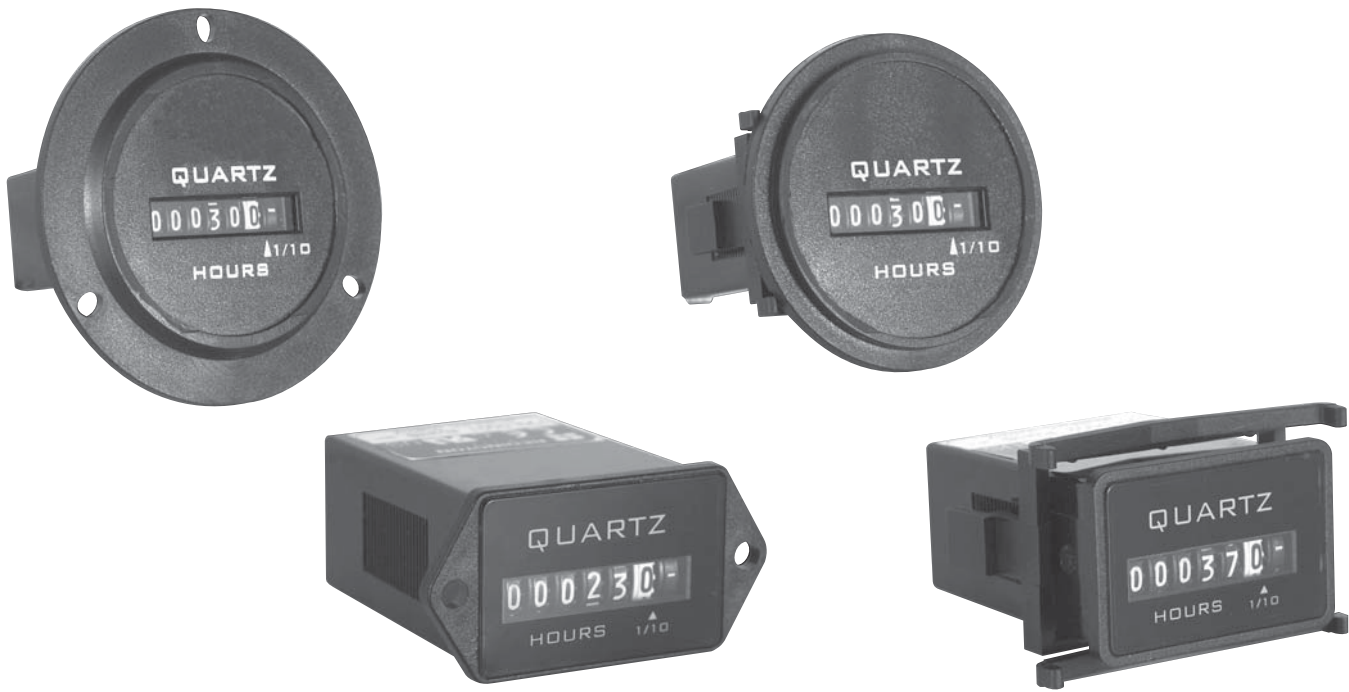
VAC, Clip FLush Round

The Redington Model 722 provides an AC Hour Meter with an operating range of 90-264VAC 50/60 Hz. You no longer require two separate meters, one for 115VAC and one for 230VAC. Models are available in the standard industry housings. Its quartz time base insures accurate long-term time keeping. The Totally Sealed case protects against the environment and provides years of reliable service. All applicable models are NEMA 4X, 12 rated when mounted with optional gasket.

Specifications

Model No.	722
Mounting	Clip Flush-Round
Reset	Non-reset
Termination	1/4 inch (6.3mm) spade terminals
Display	6 - digits, 0.125 inch (3.2mm) 99999.9 Hours - white on black Tenths - red on white
Display Height	0.125 Inch
Display Height	3.2 mm
No. of Digits	6
Records	99999.9 hours
Accuracy	± 0.02 over entire range
Input Voltage	90-240 VAC 50-60 Hz ± 10%
Power	Less than 0.6 watts
Operating Temperature	-40 to +185 °F
Operating Temperature	-40 to +85 °C
Case Material	Black Polymer

Weight	2 oz
Weight	57 gm
Panel Cutout	2.0 Inch
Panel Cutout	50.6 mm
Approvals	UL/CSA Recognized, CE Compliant
Environmental Protection	Totally sealed
Vibration	10-75 Hz
Stock Availability	Yes
Max. Panel Thickness	0.40 Max. Inch
Max. Panel Thickness	10.2 Max. mm
Accessory	5003-008 (NEMA 4X, 12 Gasket)



Description

The Redington Model 722 provides an AC Hour Meter with an operating range of 90-264VAC 50/60 Hz. You no longer require two separate meters, one for 115VAC and one for 230VAC. Models are available in the standard industry housings, 2-Hole Rectangular, Flush-Rectangular, Flush-Round and 3-Hole Round. Its quartz time base insures accurate long-term time keeping. The Totally Sealed case protects against the environment and provides years of reliable service. All models are NEMA 4X,12 rated when mounted with optional gasket.

Features

- Operating voltage 90-264VAC 50/60Hz
- Totally Sealed
- UL/cUL Recognized, CE & RoHS Compliant
- 6 Figure, 99999.9
- Quartz accuracy

Options

- Wire leads
- Gasket kit (for NEMA 4X, 12 rating)
- Custom lens
- Terminals up, down, straight

Specifications

<p>Figures: 6 - digits, 0.14" [3.6mm] 99999.9 Hours and indicator - white on black Decimal - black on white</p> <p>Reset: Non-reset</p> <p>Voltage: 90-264VAC</p> <p>Frequency: 50/60Hz</p> <p>Power: 1 watt max.</p> <p>Mounting: Clip or mounting holes</p> <p>Termination: ¼" [6.3mm] spade terminals</p> <p>Weight: ~2 oz [57 g]</p> <p>Accuracy: ± 0.02% over entire range</p>	<p>Case Material: Black polymer</p> <p>Lens Material: Polymer</p> <p>Agency Approvals: UL/cUL Recognized, CE & RoHS Compliant, SAE & NEMA 4X, 12 Compliant</p> <p>Environmental: Totally Sealed</p> <p>Front Panel: NEMA 4X, 12 rated with optional gasket</p> <p>Temperature: -40°F to +185°F [-40°C to + 85°C]</p> <p>Humidity: 95% (SAE J1378)</p> <p>Vibration: 10-80 Hz, 20g max. (SAE J1378)</p> <p>Shock: 55g @ 9 - 13msec (SAE J1378)</p>
--	--

Models Description

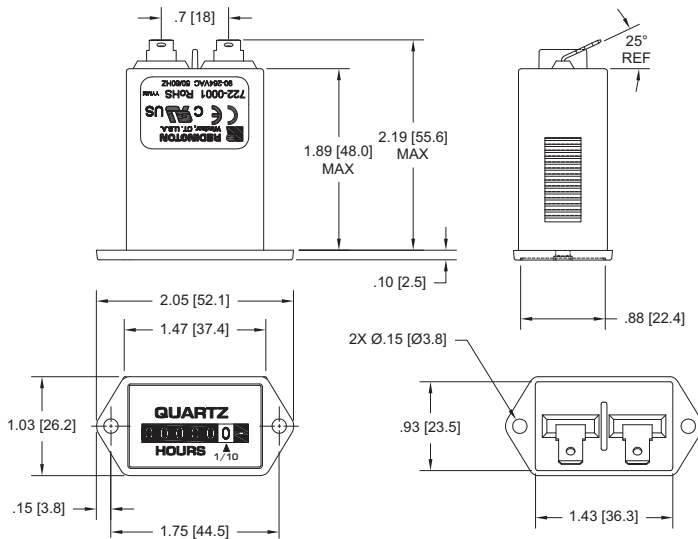
<p>722-0001</p> <p>722-0002</p> <p>722-0003</p> <p>722-0004</p> <p>5003-009</p> <p>5003-010</p> <p>5003-011</p> <p>5003-008</p>	<p>2-Hole Rectangular, 90-264VAC 50/60Hz, ¼" [6.3mm] spade terminals, hours & 1/10's</p> <p>Flush-Rectangular, 90-264VAC 50/60Hz, ¼" [6.3mm] spade terminals, hours & 1/10's</p> <p>Flush-Round, 90-264VAC 50/60Hz, ¼" [6.3mm] spade terminals, hours & 1/10's</p> <p>3-Hole Round, 90-264VAC 50/60Hz, ¼" [6.3mm] spade terminals, hours & 1/10's</p> <p>NEMA 4X, 12 Gasket for Model 722-0002</p> <p>NEMA 4X, 12 Gasket for Model 722-0001</p> <p>NEMA 4X, 12 Gasket for Model 722-0004</p> <p>NEMA 4X, 12 Gasket for Model 722-0003</p>
--	--

* All items are normally in factory stock



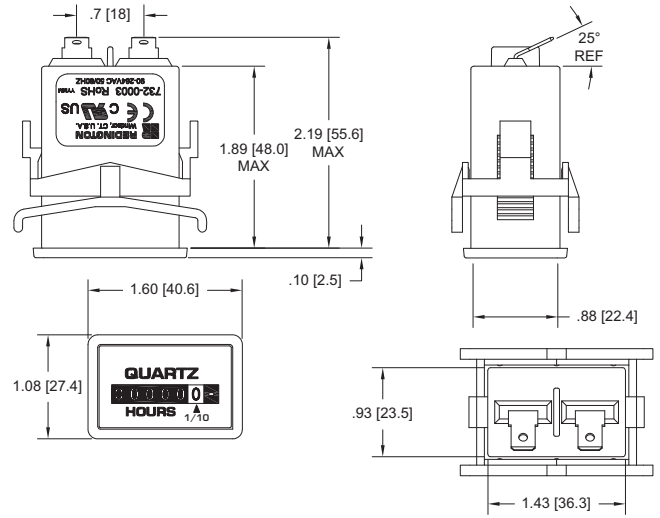
Dimensions

2-Hole



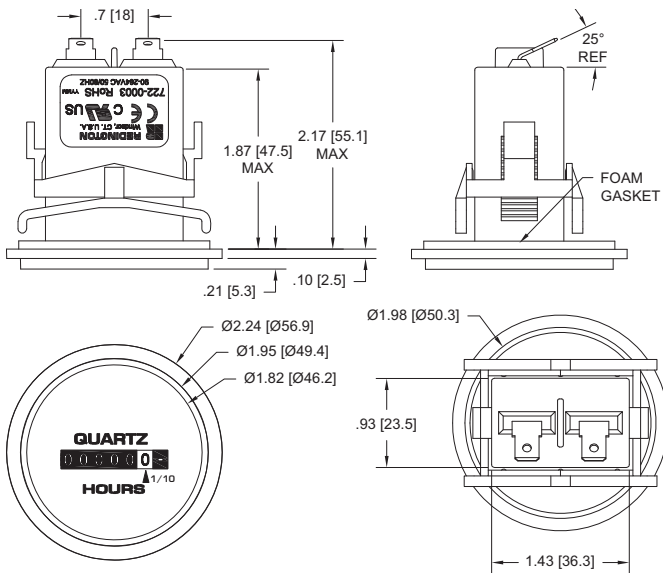
Panel Opening: 1.45" X 0.95" [36.8 X 24.1]

Flush-Rectangular



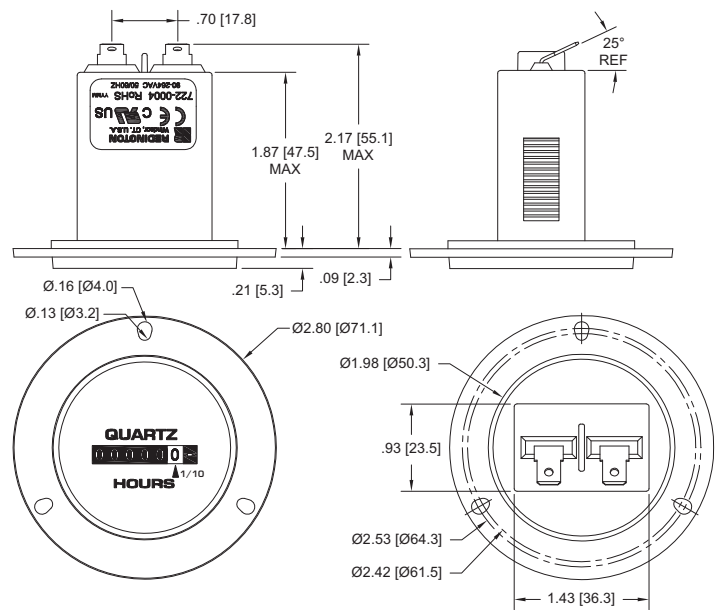
Panel Opening: 1.45" X 0.95" [36.8 X 24.1]
Panel Thickness: 0.03 to 0.63 [0.76 to 16.00]

Flush-Round



Panel Opening: 2.0" [50.6]
Panel Thickness: 0.40 [10.2] Max.

3-Hole Round



Panel Opening: 2.0" [50.6]

Applications

Medical Equipment



Control Panels



Test Equipment



Generators



Office Equipment

