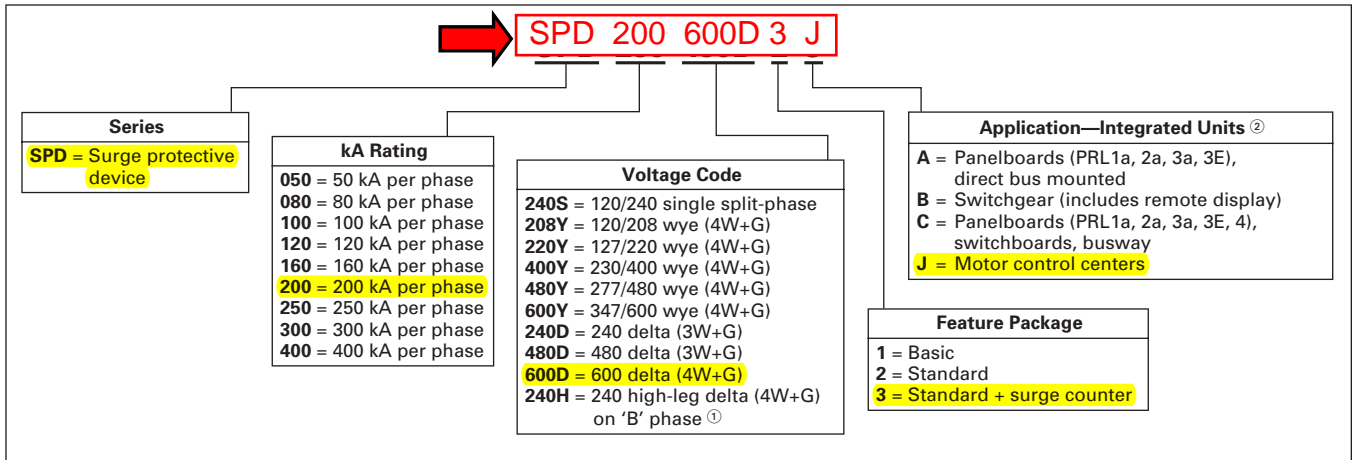




**SPD Series**

**Catalog Numbering System**

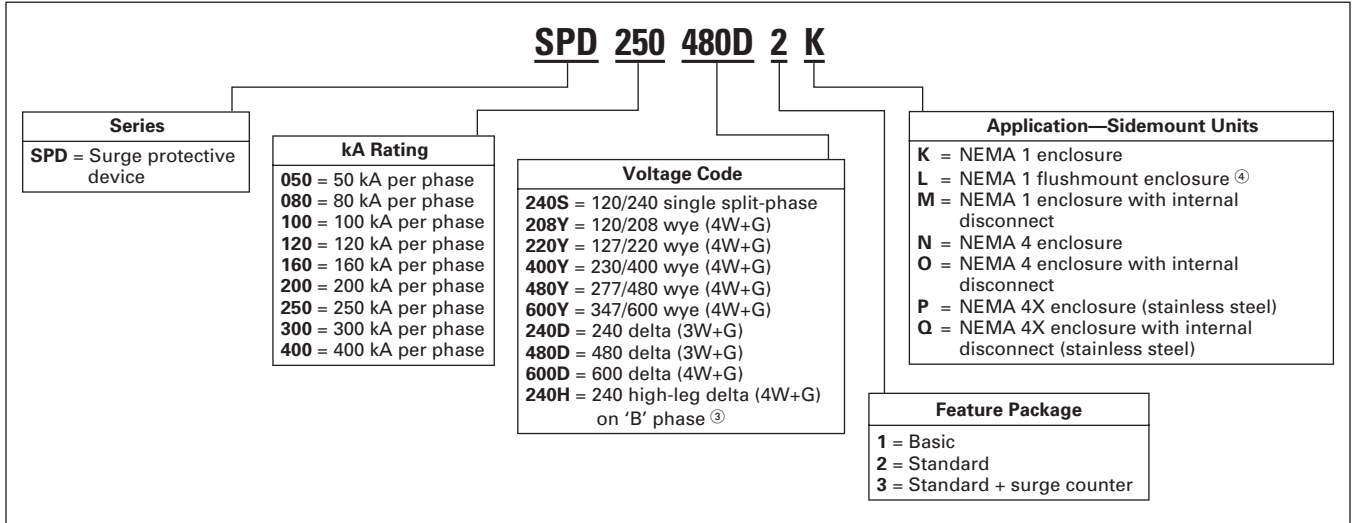
**Table 34.1-5. SPD Series Units Mounted Internal to Electrical Distribution Equipment (Integrated Units)**



① Please consult the factory for 240 high-leg delta (4W+G) applications with high leg on 'C' phase.

② Units used in PRL1a, 2a, 3a and 3E panelboard applications are available in 50–200 kA ratings only. Use the 'C' option for PRL1a, 2a, 3a and 3E panelboard applications when unit is connected through a circuit breaker.  
Example: SPD250480D2J = SPD Series, 250 kA per phase, 480D voltage, standard feature package, motor control center application.

**Table 34.1-6. SPD Series Units for Mounting External to Electrical Distribution Equipment (Sidemount Units)**



③ Please consult the factory for 240 high-leg delta (4W+G) applications with high leg on 'C' phase.

④ NEMA 1 flushmount units are available in 50–200 kA ratings only.  
Example: SPD250480D2K = SPD Series, 250 kA per phase, 480D voltage, standard feature package, housed in NEMA 1 enclosure.

**SPD Series**

**Technical Data**

**Table 34.1-7. SPD Series Specifications**

Description	Specification	
Surge capacity ratings available	50, 80, 100, 120, 160, 200, 250, 300, 400 kA per phase	
Nominal discharge current (I <sub>n</sub> )	20 kA (maximum rating assigned by UL)	
Short-circuit current rating (SCCR)	200 kA	
SPD type	Basic feature package = Type 1 (can also be used in Type 2 applications) Standard and standard with surge counter feature packages = Type 2	
Single split-phase voltages available	120/240	
Three-phase wye system voltages available	120/208, 127/220, 230/400, 277/480, 347/600	
Three-phase delta system voltages available	240, 480, 600	
Input power frequency	50/60 Hz	
Power consumption (basic units): 208Y, 220Y, 240S, 240D and 240H voltage codes 400Y, 480Y and 480D voltage codes 600Y and 600D voltage codes	0.5W 1.1W 1.3W	
Power consumption (standard and standard with surge counter units): 208Y, 220Y, 240S, 240D and 240H voltage codes 400Y, 480Y and 480D basic voltage codes 600Y and 600D voltage codes	0.6W 1.7W 2.1W	
Protection modes	Single split-phase Three-phase wye Three-phase delta Three-phase high-leg delta	L-N, L-G, N-G, L-L L-N, L-G, N-G, L-L L-G, L-L L-N, L-G, N-G, L-L
Maximum continuous operating voltage (MCOV): 240S, 208Y, 220Y and 240H MCOV 400Y and 480Y MCOV 600Y MCOV 240D MCOV 480D MCOV 600D MCOV	150 L-N, 150 L-G, 150 N-G, 300 L-L 320 L-N, 320 L-G, 320 N-G, 640 L-L 420 L-N, 420 L-G, 420 N-G, 840 L-L 320 L-G, 320 L-L 640 L-G, 640 L-L 840 L-G, 840 L-L	
Ports	1	
Operating temperature	-40°F through 122°F (-40°C through 50°C)	
Operating humidity	5% through 95%, noncondensing	
Operating altitude	Up to 16,000 ft (5000m)	
Seismic withstand capability	Meets or exceeds the requirements specified in IBC 2006 and CBC 2007	
Form C relay contact ratings	150 Vdc or 125 Vac, 1A maximum	
Form C relay contact logic	Power ON, normal state—NO contact = open, NC contact = closed Power OFF or fault state—NO contact = closed, NC contact = open	
EMI/RFI filtering attenuation	Up to 50 dB from 10 kHz to 100 MHz	