

Cross Reference RA Part Number **PN-276260**
Mfr Part Number **SCE-LF24**

1. Safety Instructions



Read this instruction sheet before installing the light fixture.



Only specialised personnel are allowed to install, maintain and clean the fixture.



The personnel must ensure that for the duration of the installation, maintenance and cleaning the fixture is disconnected from the electrical supply.

2. Specifications

Model	Voltage	Power	Hz	Lifespan	Luminous Flux	Max Amp Draw	Outlet Socket	L
SCE-LF18	100-125 VAC	10W	50/60	35,000hrs	750Lm	.105	Yes	458 [18"]
SCE-LF18NO	100-240 VAC	10W	50/60	35,000hrs	750Lm	.105	No	458 [18"]
SCE-LF24	100-125 VAC	10W	50/60	35,000hrs	900Lm	.105	Yes	611 [24"]
SCE-LF24NO	100-240 VAC	10W	50/60	35,000hrs	900Lm	.105	No	611 [24"]
SCE-LF1824VDC	24VDC	6W	-----	35,000hrs	500Lm	.300	No	458 [18"]

3. Electrical Connections

Check the serial label before making any connections to the power supply to ensure that current and voltage ratings are met.

For convenience, the fixture has two power inlet/outlet terminal connectors. Power can be supplied to the either of the two.



CAUTION: When one terminal connector is connected to the power supply the other will become LIVE. This allows connecting multiple light fixtures to each other in a daisy chain. The optional NEMA 5-15 outlet socket also becomes LIVE when either of the two terminal connectors is connected to the supply.

The electrical connections to the terminal connector are as follows:

- 1 LIVE
- 2 Earth
- 3 Neutral

IMPORTANT NOTES:



- When connecting multiple fixtures to each other and to the NEMA 5-15 socket it is important that the total current passing through the first light fixture (which supplies the others) **does not exceed 12A.**



- The light fixture does not have an ON/OFF switch.
- The door switch only discontinues the power supply to the tube. All other connectors remain LIVE unless the power supply is disconnected (even if the tube is off).

4. Installation

The light fixture is to be mounted indoors in a horizontal position as shown in the picture below and is to be protected from the ingress of dust, water and corrosive agents. Use only the supplied mounting fasteners.



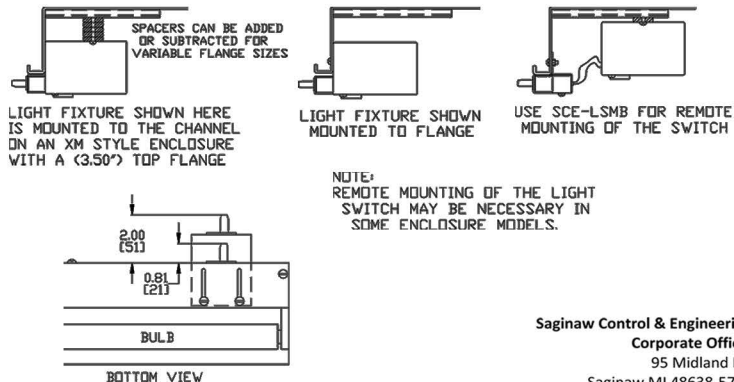
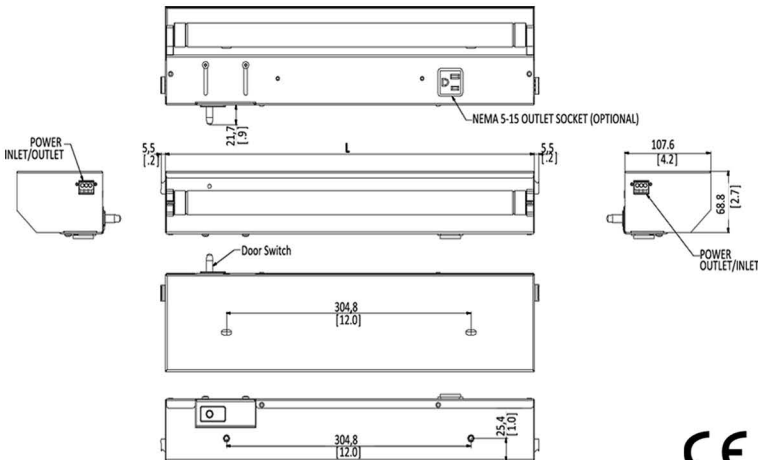
The door switch can be extended by a max. distance of 25.4mm [1"].

The supplied spacers can be used to adjust the **vertical** fixing position of the light fixture.

Spring channel nuts (#10-32) are also provided for channel mounting.

When installing a new tube take notice of the power enabled lamp holder (marked) on the fixture and fit the corresponding end of the tube to it. When mounted in an enclosure, this will be located on the right end of the fixture. Make sure to fix end of bulb marked "AC input from this side" to this end and twist bulb a 1/4 turn until it locks into place.

****Note:** Light will only function with the Active end of the bulb mounted in the Input end of the fixture.



Saginaw Control & Engineering
Corporate Office:
95 Midland RD
Saginaw MI 48638-5770
(989)799-6871
(989)799-4524
(800)234-6871
www.saginawcontrol.com
sce@saginawcontrol.com
PR59700060 / rev. c / 11.08.2013

GENERAL ACCESSORIES

LED Light Fixture

Application -

LED light fixture is designed to provide interior lighting for an enclosure. Can be mounted to light channels in the top of an enclosure or on the front flange of most enclosures. Door activated adjustable switch, switch can be removed and relocated. Terminal block on each end of fixture, making it easy to wire and daisy chain multiple lights continuously. LED bulb with PVC frosted white protective light diffuser included. Housing made from steel and powder coated white epoxy polyester. Units with convenience receptacle outlet are 120 VAC with ground 50/60 HZ. Without convenience receptacle outlet 100 to 277 VAC 50/60 HZ.

Construction -

- 4000K Frosted White
- 18 inch 850 Lumens
- 24 inch 900 Lumens

IS10 - Industry Standards -

UL Component Recognized

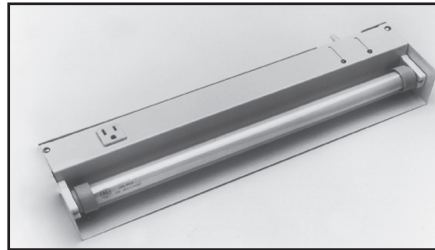
Light Switch Mounting Bracket

Designed to remote mount the door activated light switch when space is limited. Light Switch Mounting Bracket may be used with SCE-LF18, SCE-LF18NO, SCE-LF24 & SCE-LF24NO. For installation information, consult our Installation Manual at www.saginawcontrol.com.

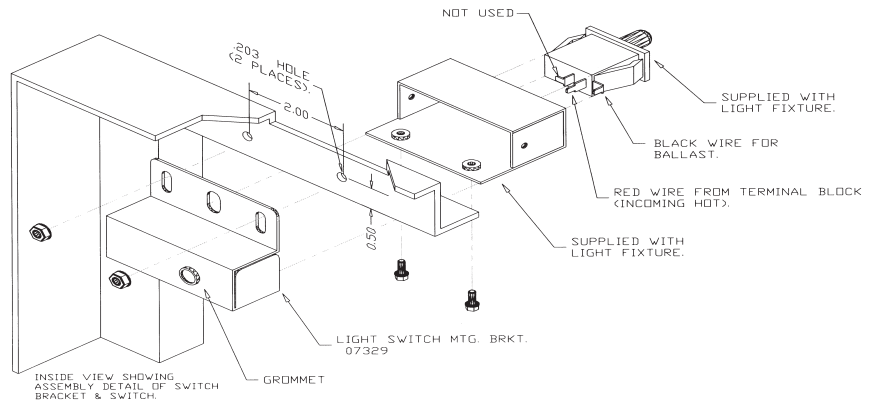
Full Light Switch Assembly

Designed to remote mount the light switch when space is limited.

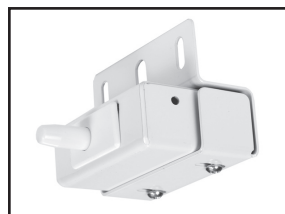
Catalog No.	Height (A)	Width (B)	Depth (C)	AMP	VAC	Hz	Product Code	List Price
SCE-LF18	2.75	18.18	4.00	0.53	100-125	50/60	P2	206.55
SCE-LF24	2.75	24.18	4.00	0.53	100-125	50/60	P2	218.03
SCE-LF18NO	(No Outlet)	2.75	18.18	0.53	100-240	50/60	P2	185.90
SCE-LF24NO	(No Outlet)	2.75	24.18	0.53	100-240	50/60	P2	196.72



Catalog No.	Height (A)	Width (B)	Depth (C)	Product Code	List Price
SCE-LSMB	2.00	2.68	1.00	P2	25.56



Catalog No.	Product Code	List Price
SCE-LSA	P2	38.34



Phone (989) 799-6871
Fax (989) 799-4524

