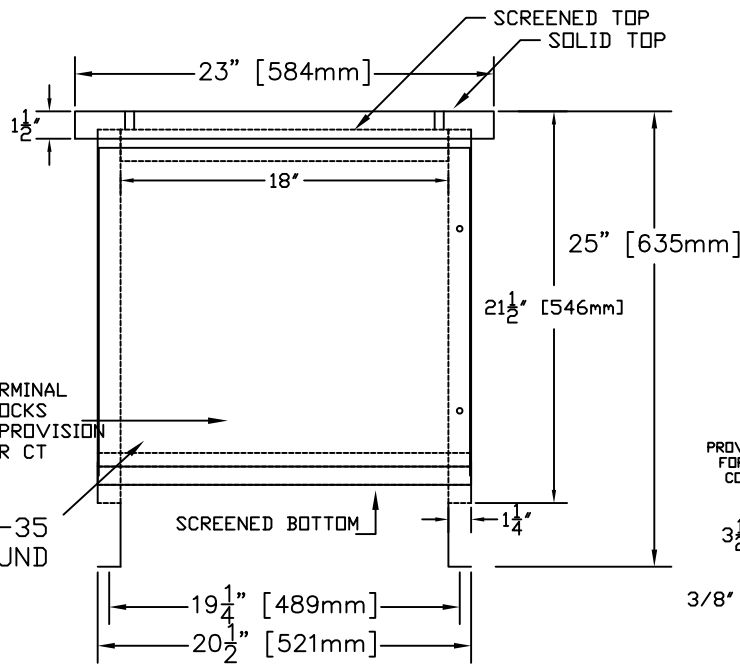
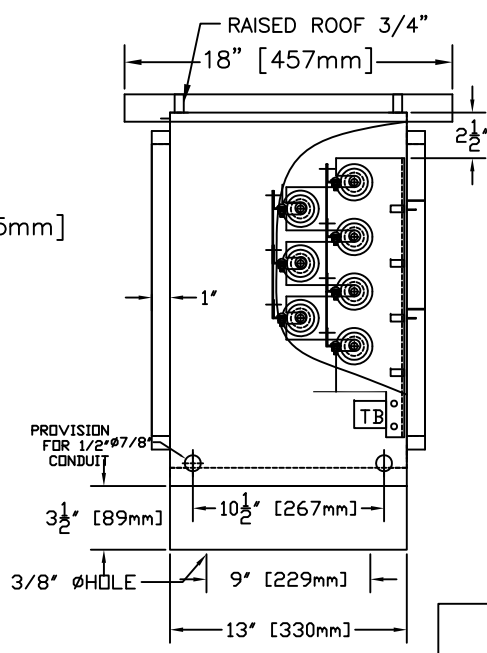


**Cross Reference RA Part Number PN-312757**



**FRONT VIEW**



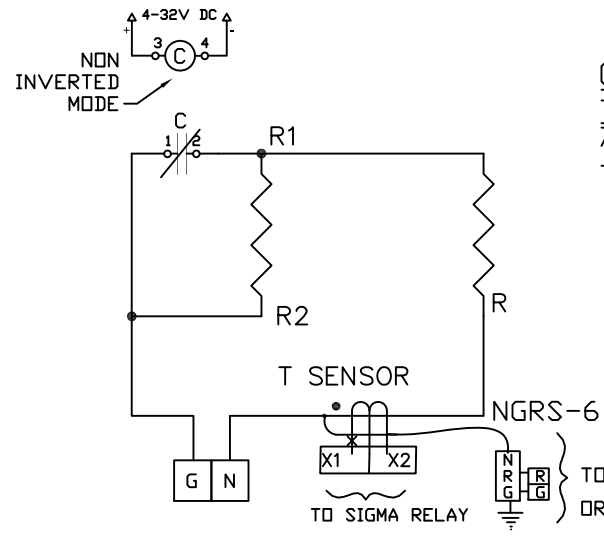
**END VIEW- RIGHT SIDE**

**NOTES:**

1. FINISH: PAINT BLUE
2. APPROX. WEIGHT: 75 LBS.
3. MATERIAL: 16GA CRS END PANS, #16GA COVER PLATES.
4. C/W GASKET AT ALL SEAMS.

1	ENCLOSURE
1	USD14002-2 TERMINAL BLOCKS
1	600V SOLID STATE RELAY
1	SLU-35 GROUND LUG
1	T SENSOR CURRENT SENSOR
1	NGRS-6 SENSING RESISTOR
1	EB27B04SC SHORTING TERMINAL BLOCK

TYPE	CURRENT	ELEMENTS
DHMNI-4PM-1RM	100% 1A	3 FDL-86500 R-R1
	50% 0.5A	2 FDL-130000 R1-R2
DHMNI-4PM-2RM	100% 2A	3 FDL-45000 R-R1
	50% 1A	1 FDL-130000 R1-R2
DHMNI-4PM-4RM	100% 4A	8 FDL-8600 R-R1
	50% 2A	2 FDL-36000 R1-R2
DHMNI-4PM-5RM	100% 5A	8 FDL-6500 R-R1
	50% 2.5A	2 FDL-27000 R1-R2
DHMNI-6PM-1RM	100% 1A	4 FDL-86500 R-R1
	50% 0.5A	3 FDL-115000 R1-R2
DHMNI-6PM-2RM	100% 2A	5 FDL-36000 R-R1
	50% 1A	2 FDL-86500 R1-R2
DHMNI-6PM-4RM	100% 4A	10 FDL-8600 R-R1
	50% 2A	3 FDL-27000 R1-R2
DHMNI-6PM-5RM	100% 5A	10 FDL-6500 R-R1
	50% 2.5A	3 FDL-23000 R1-R2



**@NORMAL OPERATION:  
DIPSWITCH 3 MUST BE  
"ON" FOR PULSING DOWN**

3	REMOVED LOUVERS, REVISED TOP COVER, ADDED HEIGHT	FEB 22/13	AS
2	AS SHOWN	AUG. 17/09	AS
1	REMOVED 10 AMPS & ADDED 4A RATINGS	JAN 14/09	AS
REV.	DESCRIPTION	DATE	BY

**iGARD | - GARD CORP.**

TITLE: GROUND FAULT PULSING ATTACHEMENT  
INDOOR ENCLOSURE  
C/W TRM BLK , CT & SS RELAY

DATE: JUNE 21/07

ALL BASE, BUSHING, AND '\* ' MARKED DIMENSIONS ARE CRITICAL. VERIFY BEFORE RELEASE.

THIS DRAWING IS THE PROPERTY OF I-GARD CORP. REPRODUCTION OR COMMUNICATION TO A THIRD PARTY IS STRICTLY FORBIDDEN WITHOUT WRITTEN PERMISSION OF I-GARD CORP.

DRAWN BY: AS	TYPE	DRAWING NUMBER	REV.
CHECKED BY: SP	DHMNI-XXX-X-RM	8370-RM	3
APPROVED BY:			