



# MiniCAS

## Features

- 120 VAC, 24 VAC, or 24 VDC Powered
- Durable Plastic Enclosure with Flange for Mounting
- Leakage & Temperature Alarm Indication
- Power Applied Indication
- Temperature Alarm Reset Mode Select Switch
- Temperature Alarm Reset Push-button
- Sensor Input Transient & Short Circuit Protection

## Operation

The MiniCAS provides Motor Over Temperature and Seal Leakage protection for Flygt Submersible Pumps equipped with FLS or CLS sensors. The unit supplies 12 VDC to the sensor and measures the current through the sensor using protected, noise-filtered electronic circuitry. When sensor current is in the normal range, the Temperature Alarm Relay is activated to allow normal pump operation.

## High Temperature Condition

In a motor High Temperature condition, the pump thermal contacts open and the current becomes zero. The Overtemp Indication is turned on and the Temperature Alarm Relay is deactivated, preventing pump operation. When the motor High Temperature condition has cleared, the unit will reset based on the position of the Alarm Reset Mode Select Switch (Auto or Manual). In the Auto position, the Overtemp Alarm resets automatically. In the Manual position, the Overtemp Reset Push-button must be pushed to clear the alarm.

## Seal Leakage Condition

In a Seal Leakage condition, the Flygt FLS or CLS sensor decreases its internal resistance. The increased current is sensed, the Leakage Indication is turned on, and the Leakage Alarm Relay is activated.

## Shorted Sensor Condition

If the sensor wires are shorted, a Shorted Sensor condition is indicated by activating the Leakage Alarm Relay and alternately flashing both the Leakage and Overtemp LED together with the Power LED. If the short is removed, the fault will automatically reset within 30 seconds.

## Cleared Fault Indication

For both Overtemp and Seal Leakage conditions, a cleared fault indication is provided. If either condition has occurred, but has been automatically cleared, then the corresponding Indication will slowly flash. The flashing indication may be manually removed by pressing the Overtemp Reset Push-button.

## Specifications

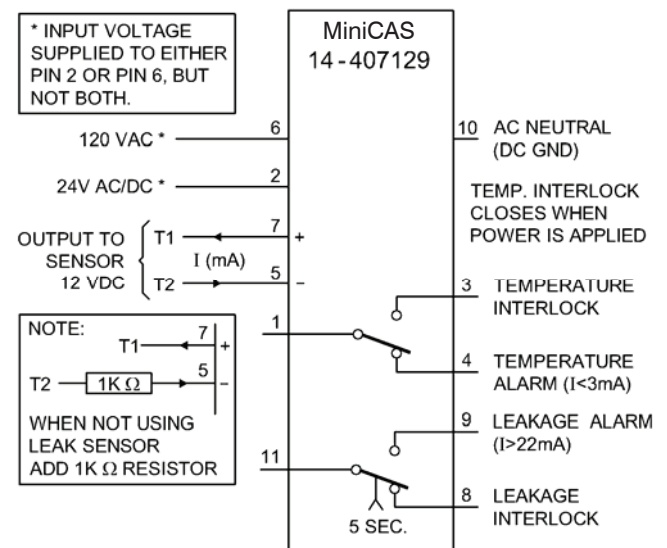
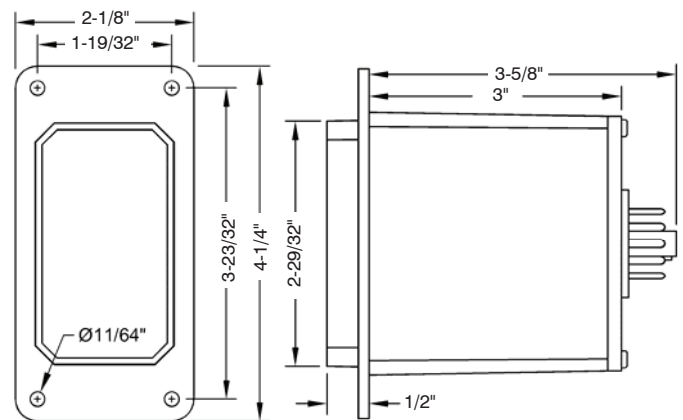
Input Power:	120 VAC ± 10% 3.5 VA max. 24 VAC ± 10% 3.5 VA max. 24 VDC ± 10% 125 mA max.
Output Rating:	NEMA B300 Pilot Duty, 1/6th HP, 3A @ 240 VAC Form C
Operating Temp:	-20°C to 60°C
Storage Temp:	-40°C to 80°C
Sensor Voltage:	12 VDC ± 10%
Temp. Alarm Trip Point:	<3.0 mA ± 5%
Leak Alarm Trip Point:	>22 mA ± 5%
Shorted Sensor Trip Point:	>64 mA ± 5%
Enclosure:	Lexan
Base:	Phenolic



UL FILE # 222351



**MADE IN THE U.S.A.**



## ORDERING INFORMATION

**Part Number – 14-407129**

