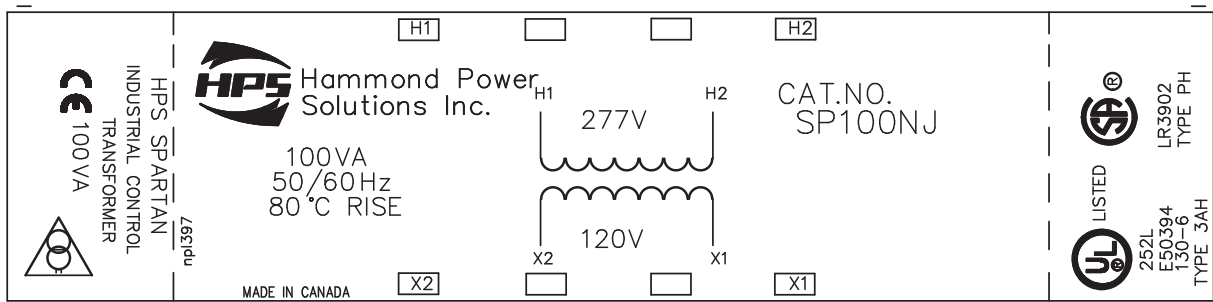


ALL DIMENSIONS ARE IN INCHES
 * TOLERANCES STD. + / - 0.1 INCHES [+ / - 3 MM]

* OPTIONAL FUSEBLOCK ADAPTER KIT (P/N SPFBAK1) WILL ADD 0.38"[9.65] TO THE HEIGHT

* OPTIONAL PRIMARY AND SECONDARY FINGERGUARDS (P/N SPFG1) WILL ADD 0.19"[4.9] TO THE HEIGHT AND 0.38"[9.65] TO THE DEPTH



NOTES:



TITLE: SPARTAN 1 PHASE CONTROL TRANSFORMER

SHEET 1 OF 1

EDS SP100NJ

				DES: WWONG
				DATE: 09/10/19
NO.	DATE	BY	REVISION	SCALE: NTS