

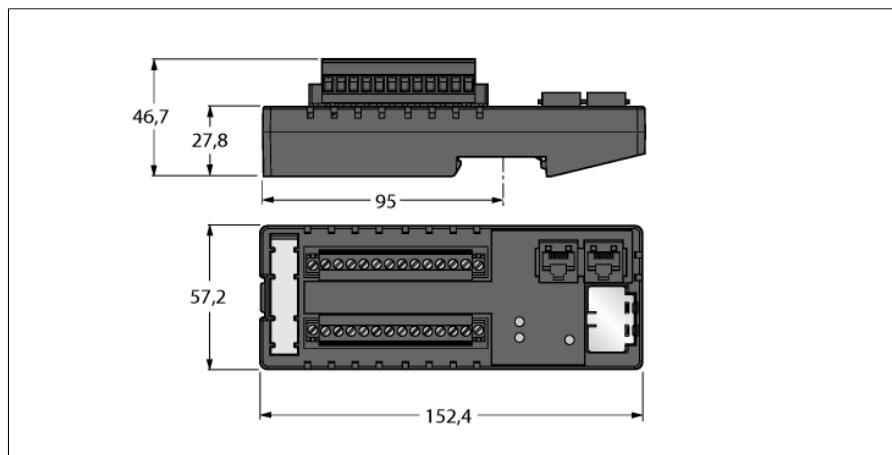
➔ Cross Reference RA Part Number: **PN-F000294**
 ➔ Mfr Part Number: **FEN20-16DXP**

TURCK

Industrial
Automation

Compact IP20 multiprotocol Ethernet I/O module
16 universal digital channels

➔ **FEN20-16DXP**



- FLC/ARGEE programmable
- EtherNet/IP™ slave
- Modbus TCP slave
- PROFINET slave
- 2 RJ45 ports for the Ethernet connection
- Integrated Ethernet switch
- 10/100 Mbps
- 16 universal digital channels, DI / DO
- 24 VDC, PNP
- Output current: 1.0 A
- Protection class IP20

Type designation	FEN20-16DXP
Ident no.	6931089
Number of channels	16
Operating / load voltage	12...30 VDC
Operating current	100 mA
Electrical isolation	500 V between the I/O groups and to Ethernet
Supply voltage	24 VDC
Power dissipation, typical	≤ 2.4 W
Voltage supply connection	pluggable screw terminal strip
Inputs	
Number of channels	16
Input voltage	24 VDC
Supply current	700 mA
Switching threshold	10 V / 2 mA
Low level signal voltage	< 9 VDC
High level signal voltage	11...30 VDC
Low level signal current	< 1.5 mA
High level signal current	> 2,5 mA
Input delay	2.5 ms
Max. input current	6 mA
Outputs	
Number of channels	16
Output voltage	12...30 VDC
Output current per channel	at 70 °C: 0.5 A (8 A in total) or 0.75 A (6 A in total); at 50 °C: 0.75 A (12 A in total) or 1 A (8 A in total)
Load type	resistive, inductive, lamp load
Short-circuit protection	yes
System data	
Transmission rate	10/100 Mbps; Full/Half Duplex; Auto Negotiation; Auto Crossing
Addressing modes Ethernet:	via coded rotary switches
Connection technology Ethernet	2 x RJ45 sockets
Protocol detection	automatic
Web server	192.168.1.254 (default)
Service Interface	Ethernet
Device Reset	via Rotary Switch
Modbus TCP	
Addressing	Static IP, BOOTP, DHCP
Supported function codes	FC1, FC2, FC3, FC4, FC5, FC6, FC15, FC16, FC23
Number of TCP connections	6
Input Data Size	max. 1 register
Input register start address	0 (0x0000 hex)
Output Data Size	max. 1 register
Output register start address	2048 (0x0800 hex)

Compact IP20 multiprotocol Ethernet I/O module 16 universal digital channels FEN20-16DXP

EtherNet/IP™

Addressing	acc. to EtherNet/IP™ specification
Quick Connect (QC)	< 150 ms
Device Level Ring (DLR)	supported
Number of CIP connections	6

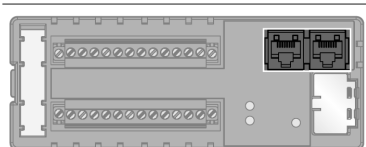
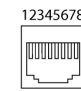
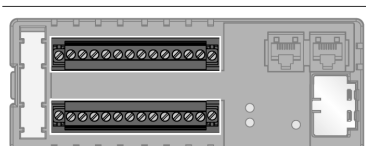

PROFINET

Addressing	DCP
Conformance class	B (RT)
MinCycleTime	1 ms
Fast Start-Up (FSU)	< 150 ms
Diagnostics	acc. to PROFINET alarm handling
Topology detection	supported
Automatic addressing	supported

Dimensions (W x L x H)

Dimensions (W x L x H)	57.1 x 152.2 x 46.7mm
Housing material	glass fiber reinforced polyamide (PA6-GF30)
Operating temperature	-40 ... 70 °C
Storage temperature	-40 ... 85 °C
Protection class	IP20
Approvals	CE, UL, Class I Div. 2

Terminal assignment

	<p>Ethernet Fieldbus cable (example): RJ45S-RJ45S-441-2M (ident no. 6932517) or RJ45-FKSDD-441-0,5M/S2174 (ident no. 6914221)</p>	<p>RJ45 Ethernet</p>  <p>12345678</p> <p>1 = TX + 2 = TX - 3 = RX + 4 = n.c. 5 = n.c. 6 = RX - 7 = n.c. 8 = n.c.</p>
	<p>Power Supply and I/O Channels The internal module electronics and the I/O channels 0 to 7 are supplied via V1. The I/O channels 8 to 13 are supplied via V2. The I/O channels 14 to 15 are supplied via V3. More devices can be supplied with 24 VDC, or rather up to 0.7 A, via the terminals V_{OUT1+} and V_{OUT1-}.</p>	<p>Terminal Connection</p>  <p>1 13 1 = V_{OUT1+} 13 = $V2+$ 2 14 2 = V_{OUT1-} 14 = $V2-$ 3 15 3 = $V1+$ 15 = I/O 8 4 16 4 = $V1-$ 16 = I/O 9 5 17 5 = I/O 0 17 = I/O 10 6 18 6 = I/O 1 18 = I/O 11 7 19 7 = I/O 2 19 = I/O 12 8 20 8 = I/O 3 20 = I/O 13 9 21 9 = I/O 4 21 = $V3+$ 10 22 10 = I/O 5 22 = $V3-$ 11 23 11 = I/O 6 23 = I/O 14 12 24 12 = I/O 7 24 = I/O 15</p>

Module LED Status

LED	Color	Status	Description
ETH1 / ETH2	Green	ON	Ethernet Link (100 Mbps)
		Flashing	Ethernet communication (100 Mbps)
	yellow	ON	Ethernet Link (10 Mbps)
		Flashing	Ethernet communication (10 Mbps)
		OFF	No Ethernet link
BUS	Green	ON	Active connection to a master
		Flashing	Ready
	Red	ON	IP address conflict or status word is active
		Flashing	Blink/Wink command active
		OFF	Power off
ERR	Green	ON	Diagnostics disabled
	Red	ON	Short-circuit
I/O 0 – I/O 15	Green	ON	Input/Output: Active
		OFF	Input/Output: Inactive

Compact IP20 multiprotocol Ethernet I/O module 16 universal digital channels FEN20-16DXP

Prozessdaten Mapping

Modbus TCP Register-Mapping

	Reg	Bit 15	Bit 14	Bit 13	Bit 12	Bit 11	Bit 10	Bit 9	Bit 8	Bit 7	Bit 6	Bit 5	Bit 4	Bit 3	Bit 2	Bit 1	Bit 0
Eingänge (RO)	0x0000	DI15	DI14	DI13	DI12	DI11	DI10	DI9	DI8	DI7	DI6	DI5	DI4	DI3	DI2	DI1	DI0
Status (RO)	0x0001	-	FCE	-	-	CFG	COM	V1 low	-	-	-	-	-	-	-	-	Diag Warn
Diag (RO)	0x0002	-	-	-	-	-	-	-	-	-	-	-	-	-	-	-	I/O Diag
Ausgänge (RW)	0x0800	DO15	DO14	DO13	DO12	DO11	DO10	DO9	DO8	DO7	DO6	DO5	DO4	DO3	DO2	DO1	DO0
I/O Diag (RO)	0xA000	SCO7	SCO6	SCO5	SCO4	SCO3	SCO2	SCO1	SCO0	-	-	-	-	-	-	-	IGS
I/O Diag (RO)	0xA001	-	-	-	-	-	-	-	-	SCO15	SCO14	SCO13	SCO12	SCO11	SCO10	SCO9	SCO8

EtherNet/IP™ Data Mapping

INPUT	Word	Bit 15	Bit 14	Bit 13	Bit 12	Bit 11	Bit 10	Bit 9	Bit 8	Bit 7	Bit 6	Bit 5	Bit 4	Bit 3	Bit 2	Bit 1	Bit 0
	0	-	FCE	-	-	CFG	COM	V1 low	-	-	-	-	-	-	-	-	Diag Warn
	1	DI15	DI14	DI13	DI12	DI11	DI10	DI9	DI8	DI7	DI6	DI5	DI4	DI3	DI2	DI1	DI0
	2	-	-	Sched Diag	-	-	-	-	-	-	-	-	-	-	-	-	I/O Diag
	3	SCO7	SCO6	SCO5	SCO4	SCO3	SCO2	SCO1	SCO0	-	-	-	-	-	-	-	IGS
	4	-	-	-	-	-	-	-	-	SCO15	SCO14	SCO13	SCO12	SCO11	SCO10	SCO9	SCO8
OUTPUT	Word	Bit 15	Bit 14	Bit 13	Bit 12	Bit 11	Bit 10	Bit 9	Bit 8	Bit 7	Bit 6	Bit 5	Bit 4	Bit 3	Bit 2	Bit 1	Bit 0
	0	-	-	-	-	-	-	-	-	-	-	-	-	-	-	-	-
	1	DO15	DO14	DO13	DO12	DO11	DO10	DO9	DO8	DO7	DO6	DO5	DO4	DO3	DO2	DO1	DO0

PROFINET Prozessdaten

	Byte	Bit 7	Bit 6	Bit 5	Bit 4	Bit 3	Bit 2	Bit 1	Bit 0
Eingänge	0	DI7	DI6	DI5	DI4	DI3	DI2	DI1	DI0
	1	DI15	DI14	DI13	DI12	DI11	DI10	DI9	DI8
Ausgänge	0	DO7	DO6	DO5	DO4	DO3	DO2	DO1	DO0
	1	DO15	DO14	DO13	DO12	DO11	DO10	DO9	DO8

Legende:

DIx	Digitaler Eingang x	COM	Kommunikation auf internem Modulbus gestört
DOx	Digitaler Ausgang x	CFG	I/O-Konfigurationsfehler
IGS	Eingangsgruppe - Kurzschluss	FCE	I/O-ASSISTANT Force Mode aktiv
SCOx	Kurzschluss Ausgang x	I/O Diag	I/O-Diagnose erkannt
Diag Warn	Diagnose an mind. 1 Kanal	Sched Diag	Herstellerspezifische Diagnose konfiguriert und aktiv
V1 low	Unterspannung V1	-	-