



# Gold Box SINGLE OUTPUT

LINEAR REGULATED  
AC-DC

## SERIES A (High Performance)

- Shipped Within 3 Days
- All Models U.L. Recognized
- CE
- Five Year Warranty



**Series A power supplies** offer unusually high performance—many models have regulation of  $\pm 0.005\%$ . Electronic current limiting and provision for remote voltage sensing are standard features; overvoltage

protection is available as a built-in option. Rugged extruded aluminum cases include threaded mounting holes on bottom, back, and side, permitting mounting in any position.

### SERIES A: HIGH PERFORMANCE POWER SUPPLIES

#### STANDARD FEATURES

- Provision for remote sensing and/or external output adjustment
- Short circuit proof with automatic recovery (electronic current limiting)
- Can be mounted on any of three surfaces (case sizes H8, H11 and H16; two surfaces)

#### SPECIFICATIONS

**Input Voltage:** 105-125 VAC, 50-400 Hz, single phase.

**Output Specifications:** See pages 48 and 49. Series A supplies have model numbers beginning with the letter A.

**Remote Voltage Adjustment/Sensing:** Provision for sensing the output voltage across the load, so that drops in the load line are compensated, is a standard feature. This feature also permits the use of an externally located potentiometer to adjust output voltage.

**Polarity:** Output is floating; either positive or negative terminal may be grounded or floated up to 300 volts above ground.

**Temperature Coefficient:** 0.015%/°C (Typical).

**Ambient Operating Temperature:** -20 to +71°C.

**Storage Temperature:** -55 to +85°C.

**Response Time:** Less than 20 microseconds.

#### OPTIONS

**Under/Overvoltage Alarm Contacts:** To control a horn or light, or to signal your PLC. Available on models with nominal outputs of 5 Vdc to 125 Vdc. SPDT contacts switch if the power supply's output deviates by

- 1.0 volt or more: 5 volt models.
- 2.0 volts or more: 6 to 48 volt models.
- 3.0 volts or more: 50 to 125 volt models.

Contact ratings: 120 VAC, 8A / 60 Vdc, 1A. (To comply with SELV requirements, limit switched voltage to 60Vdc/42 VAC.) To order, add suffix "L" to model number and \$35.00 to price. Models with this option are not yet UL Recognized/CE certified.

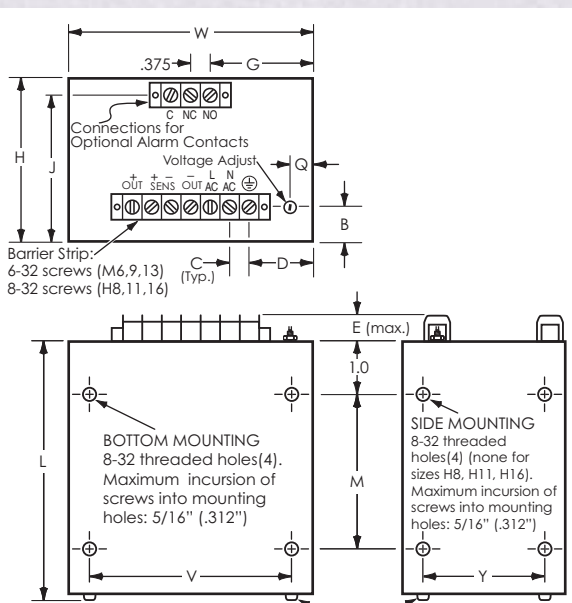
**Overvoltage Protection:** An internal preset overvoltage protector is available. To order, add prefix "V" to the model number, and increase standard price as follows:

<b>Outputs of</b>	<b>1.5-70V</b>	<b>75-150V</b>
All case sizes except H16 . . .	\$25.00	\$35.00
Case size H16 . . . . .	75.00	85.00

**Terminal Strip Cover:** Clips on. To order, add suffix "M" to model number and \$5.00 to price.

**230 Volt Input:** All models can be alternately furnished for operation on inputs of 210-250 VAC, 50-400 Hz. To order, add suffix "-230" to model number and \$25.00 to price. (For models in case sizes H8, H11 and H16, add \$40.00.) The "-230" option requires two additional days.

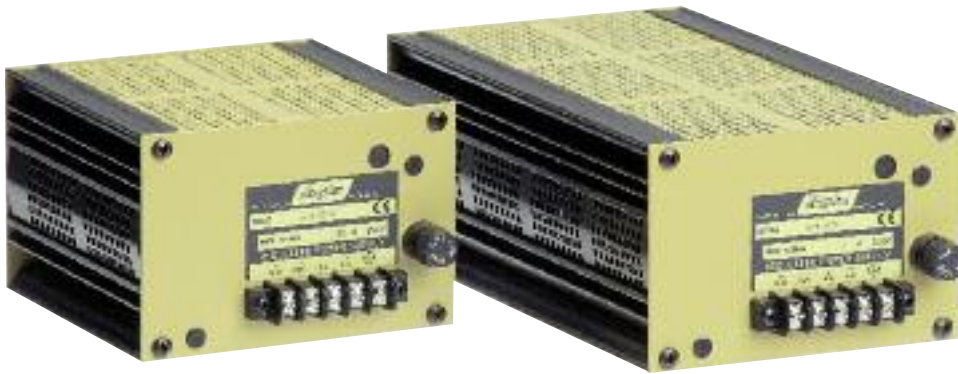
**Mounting:** Threaded mounting holes permit mounting to a chassis, cabinet wall or bracket. To mount from the power supply side of the mounting surface or for DIN rail mounting, see accessory Mounting Kits on page 91.



For REAR MOUNTING, remove original screws(4) and use 8-32 Type F self-tapping screws. They should extend at least 5/16" (0.312") into the power supply case.

Case Size	L	W	H	M	V	Y	Q	B	E	C	D	G	J	Approx. Weight
M6	6.59	5.12	3.44	4.0	4.5	3.0	.5	.75	.58	.375	1.44	2.19	3.09	4 lb. 4 oz.
M9	9.25	5.12	3.44	6.0	4.5	3.0	.5	.75	.58	.375	1.44	2.19	3.09	7 lb. 4 oz.
M13	13.25	5.12	3.44	10.0	4.5	3.0	.5	.75	.58	.375	1.44	2.19	3.09	11 lb.
H8	8.75	7.37	5.12	6.0	6.75	4.56	1.12	1.25	.78	.562	2.25	3.57	4.72	15 lb. 8 oz.
H11	11.25	7.37	5.12	8.0	6.75	4.56	1.12	1.25	.78	.562	2.25	3.57	4.72	18 lb. 4 oz.
H16	16.00	7.37	5.12	11.0	6.75	4.56	1.12	1.25	.78	.562	2.25	3.57	4.72	26 lb.

**Gold Box**  
**SINGLE OUTPUT**  
 LINEAR REGULATED  
 AC-DC



**SERIES B (General Purpose)**

- Shipped Within 3 Days
- All Models U.L. Recognized
- CE
- Five Year Warranty

**Series B power supplies** are ideal for powering digital circuitry, test sets, instrument bridges, and process control transmitters. Many models have regulation of  $\pm 0.1\%$  or better. All components are generously derated

to insure a long and trouble-free life, and they use the same rugged construction as the Series A line. Overvoltage protection and other options are available.

**SERIES B: GENERAL PURPOSE POWER SUPPLIES**

**STANDARD FEATURES**

- Short circuit proof (electronic current limiting)
- May be mounted on any of three surfaces
- Completely serviceable

**SPECIFICATIONS**

**Input Voltage:** 105-125 VAC, 50-400 Hz, single phase.

**Output Specifications:** See pages 48 and 49. Series B supplies have model numbers beginning with the letter B.

**Remote Voltage Adjustment/Sensing:** Available as an option. See below.

**Polarity:** Output is floating; either positive or negative terminal may be grounded or floated up to 300 volts above ground.

**Temperature Coefficient:** 0.02%/°C (Typical).

**Ambient Operating Temperature:** 0 to +71°C.

**Storage Temperature:** -55 to +85°C.

**OPTIONS**

**Under/Overvoltage Alarm Contacts:** To control a horn or light, or to signal your PLC. Available on models with nominal outputs of 5 Vdc to 125 Vdc. SPDT contacts switch if the power supply's output deviates by

- 1.0 volt or more: 5 volt models.
- 2.0 volts or more: 6 to 48 volt models.
- 3.0 volts or more: 50 to 125 volt models.

Contact ratings: 120 VAC, 8A / 60 Vdc, 1A. (To comply with SELV requirements, limit switched voltage to 60Vdc/42 VAC.) To order, add suffix "L" to model number and \$35.00 to price. Models with this option are not yet UL Recognized/CE certified.

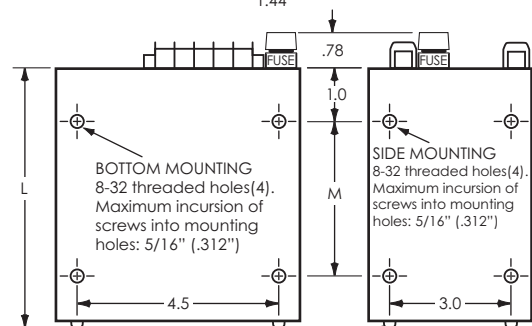
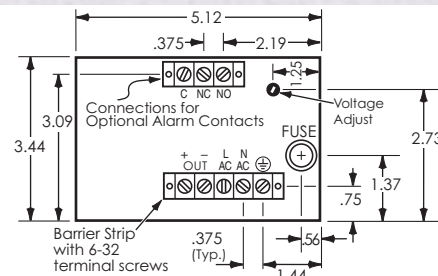
**Overvoltage Protection:** An internal preset overvoltage protector is available. To order, add prefix "V" to the model number, and add \$25.00 to the standard price of models with outputs of 1.5 to 70 volts; \$35.00, for 75 to 200 volt outputs.

**Remote Voltage Sensing:** Provision for sensing the output voltage across the load, so that drops in the load lines are compensated, is available on all models. (This option also permits the use of an externally located potentiometer to adjust output voltage.) To order, add prefix "R" to the model number. No increase in price.

**Terminal Strip Cover:** Clips on. To order, add suffix "M" to model number and \$5.00 to price.

**230 Volt Input:** All models can be alternately furnished for operation on inputs of 210-250 VAC, 50-400 Hz. To order, add suffix "-230" to model number and \$25.00 to price. The "-230" option requires two additional days.

**Mounting:** Threaded mounting holes permit mounting to a chassis, cabinet wall or bracket. To mount from the power supply side of the mounting surface or for DIN rail mounting, see accessory Mounting Kits on page 91.



For REAR MOUNTING, remove original screws(4) and use 8-32 Type F self-tapping screws. They should extend at least 5/16" (.312") into the power supply case.

Case Size	L	M	Approx. Weight
G3	3.71	1.62	3 lb. 2 oz.
G5	5.09	3.0	4 lb. 14 oz.
G6	6.59	4.0	5 lb. 8 oz.
G9	9.25	6.0	7 lb. 4 oz.
G13	13.25	10.0	11 lb.



