

MotorSaver®

THREE-PHASE ELECTRIC MOTOR PROTECTOR

Accessories
•
Dimensions

777 • 777-LR • 777-575
Overload Relays



RS485MS-2W

The optional RS485MS-2W communications module is required if Model 777-type products are used on a Modbus network or with RM-1000 or RM-2000 remote displays. The communications module provides RS-485 bus drive capabilities and optical isolation from the overload electronics and powerline.

RM-1000

~~The RM 1000 is a local display/controller with RS 485 Modbus network capabilities. Its modular design allows for flexible, inexpensive installation yet provides robust motor management. Plant personnel safety is also enhanced by allowing system troubleshooting and control without opening the starter box.~~



RM-2000

~~The RM-2000 motor monitoring device used in conjunction with SymCom's Model 777 provides a complete motor management system. This system provides full electronic motor protection, historical data and critical, user friendly motor monitoring information. The RM-2000 also features a real-time clock, 2x20 backlit LGD, one upstream RS-485 Modbus communication port and is rated NEMA-3R when mounted on a panel door.~~



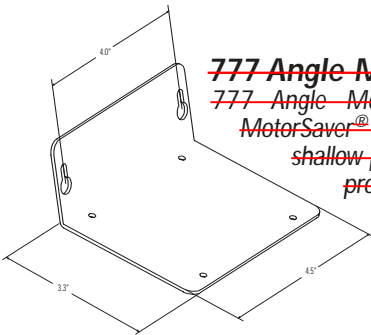
777 Manual Remote Reset Kit

~~The manual remote reset allows the 777 line of MotorSaver® and PumpSaver® products to be manually reset without opening the panel door. Simply connect the 9 pin adapter to the 777 communication port and mount the reset switch in a convenient location.~~



777 Angle Mounting Bracket

~~777 Angle Mounting Bracket allows the 777 line of MotorSaver® and PumpSaver® products to be mounted into shallow panels such as the Furnas Size 1 and other low profile panels. The angle bracket reduces the installed depth from 5.05" to 4.25".~~



Dimensions for All 777 Units

