

→ Cross Reference RA Part Number PP6372

THREE PHASE DRY TYPE TRANSFORMER
ALLEN-BRADLEY
 MILWAUKEE, WI. USA



P/N YPP6372

E112313

LR3902

kVA 30

CLASS AN

TYPE J

TEMP. RISE °C 80

TEMP. CLASS °C 200

FREQ. Hz 60

IMPEDANCE % @ 100 °C 3.2

ENCL. TYPE -

WEIGHT LBS 285

INS. SYSTEM 180-1

SERIAL NO:

cab3001e

| VOLTS | % RATED VOLTAGE | CONNECTION |
|-------|-----------------|------------|
| 504 | 105 | 1-2 |
| 492 | 102.5 | 2-3 |
| 480 | 100 | 3-4 |
| 468 | 97.5 | 4-5 |
| 456 | 95 | 5-6 |
| | | |
| | | |

MEETS TP-1-2002 EFFICIENCY COPPER WINDING

HV 480V

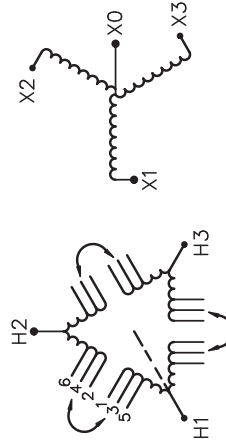
BILL KV

H1 H2 H3

LV

208Y/120V

X0 X1 X2 X3



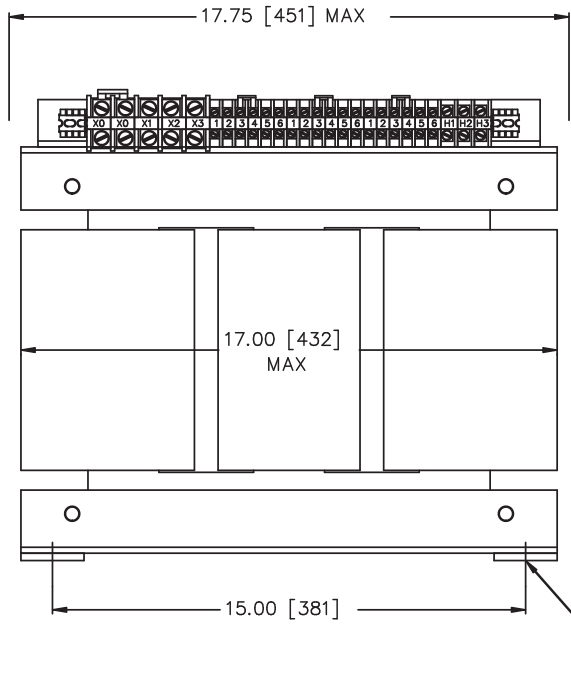
TITLE: 3PH DISTRIBUTION TRANSFORMER
 NAMEPLATE INFORMATION

| |
|----------------|
| DES: RBHATIA |
| DATE: 07/11/16 |
| SCALE: NTS |

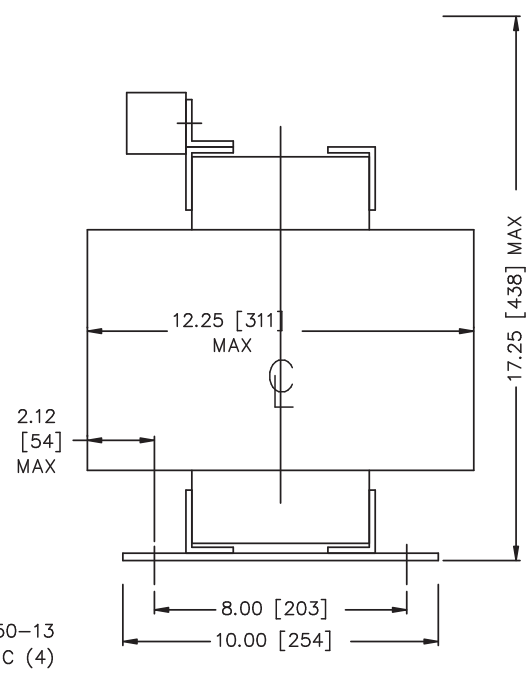
SHEET 1 OF 2

EDR 186637





FRONT_VIEW



SIDE_VIEW



TITLE: 3PH DISTRIBUTION TRANSFORMER

| | | | | |
|-----|------|----|----------|----------------|
| | | | | DES: RBHATIA |
| | | | | DATE: 07/11/16 |
| NO. | DATE | BY | REVISION | SCALE: NTS |

SHEET 2 OF 2
EDB 186637

0.6 root 2010/10/12 14:58