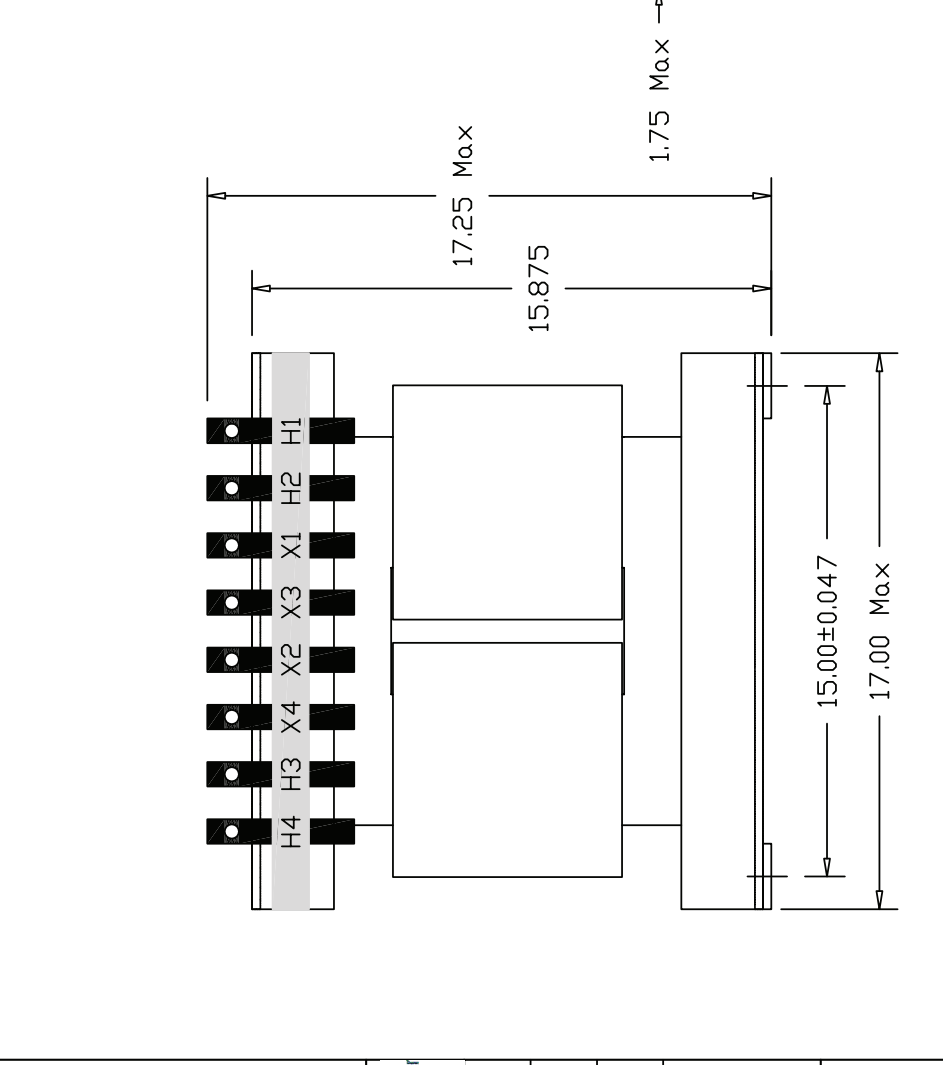
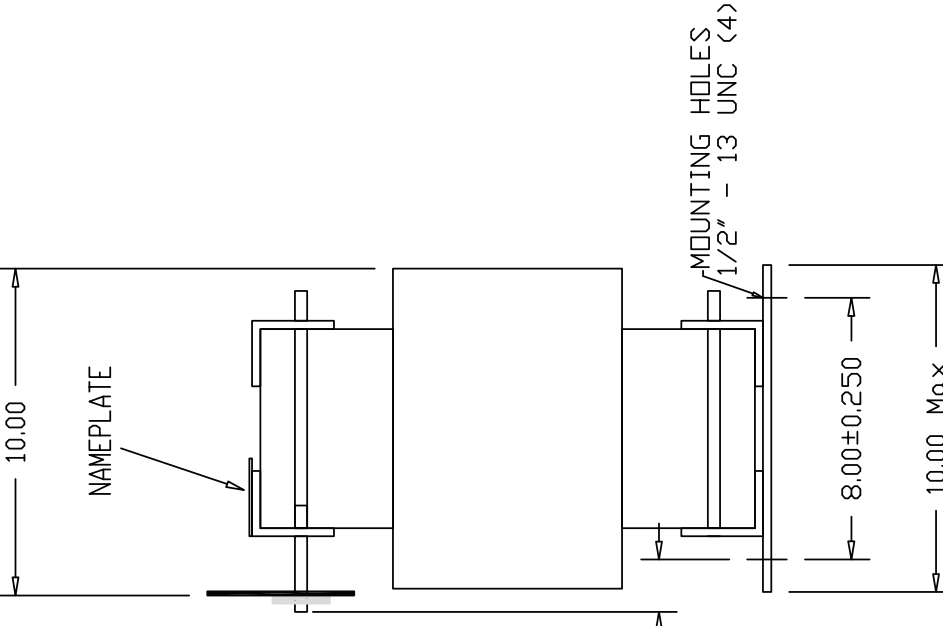


CROSS REFERENCE RA PART # PP6846

MECHANICAL INFORMATION
 TRANSFORMER 25KVA 1Ø 240/480 - 120/240, 80dc rise



 Hammond Power Solutions Inc.	
DES'D BY:	D.M.
DATE:	2009-02-12
CHK'D BY:	--
DATE:	--
APP'D BY:	--
DATE:	--
STD. TOLERANCES X = ± 0.1 .XX = ± 0.06 .XXX = ± 0.02 .XXXX = ± 0.005 ANGLES = ± 0.5°	