



CONTACT

[HOME](#)[TRANSFORMERS](#)[SERVICES](#)

*For Superior Design,
Competitive Pricing And
Reliable Service, Contact
"The Transformer Specialists"
At SNC.*

Global Control Transformers

Designed for industrial applications, SNC Manufacturing's new single-phase Global Control Transformers offer increased operator safety by providing stable output voltage while accommodating the momentary current inrush that occurs when electromagnetic devices such as motor starters, contactors, timers and relays are energized.

- (To view over 50 Global Control Engineering Drawings by part number, please scroll down page.)
- VA from 50 VA to **5 KVA**. Class A – through 100 VA. Class B – 150 VA through 750 VA. Class H – 1000 VA Through 5 KVA.
- Complete range of input and output voltages.
- Finger-safe terminals on all models. Finger-safe primary and secondary fusing available.
- Pre-wired primary and secondary fuse blocks mounted on top of unit. Secondary fuse clips also available.
- Transformer designs can accommodate full current 24v windings and all variations of extended windings.
- Enclosed coil through 350 VA provides additional protection against contamination.
- Temperature classes adjustable by VA to meet specific customer requirements.
- Standard voltage regulation as low as 5% max.



http://www.sncmfg.com/sites/default/files/2-13_SNC_GlobalControlTransformer-BaseUnit.jpg

Global Control Transformer Base Unit



http://www.sncmfg.com/sites/default/files/2-13_SNC_GlobalControlTransformer-BaseUnit.jpg

- UL and cUL listed.
- Variety of mounting features to meet specific customer needs.
- Transformers available in NEMA 1 and NEMA 12 enclosures.

SNC Global Control Transformers

Pricing based on basic transformer with any primary/secondary combination at 50/60 Hz and a maximum of four input and four output terminals. Fuse block options: secondary, primary, secondary/primary. Minimum quantities apply to a specific transformer rating. One to two week typical production lead time. Individual unit packaging cost to be developed.

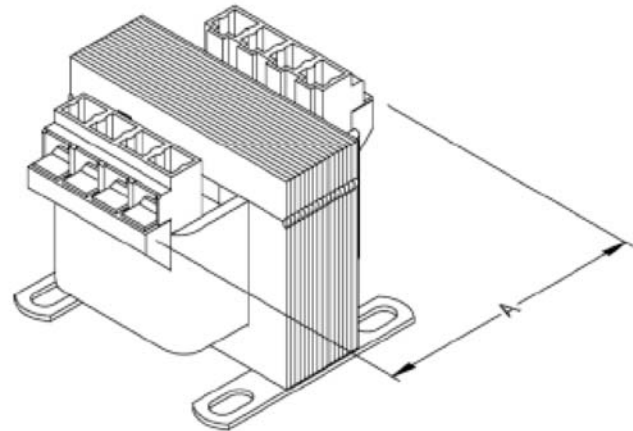
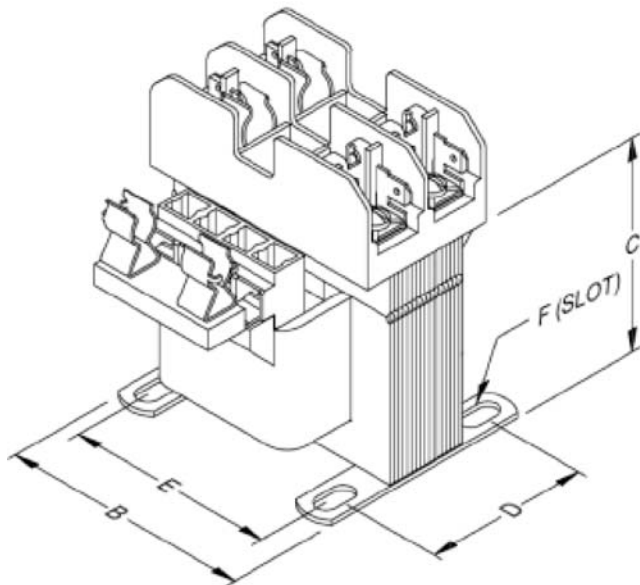
[-1-13 SNC GlobalControlTransformer-F2.jpg](#)

Global Control Transformer with F2 primary fusing

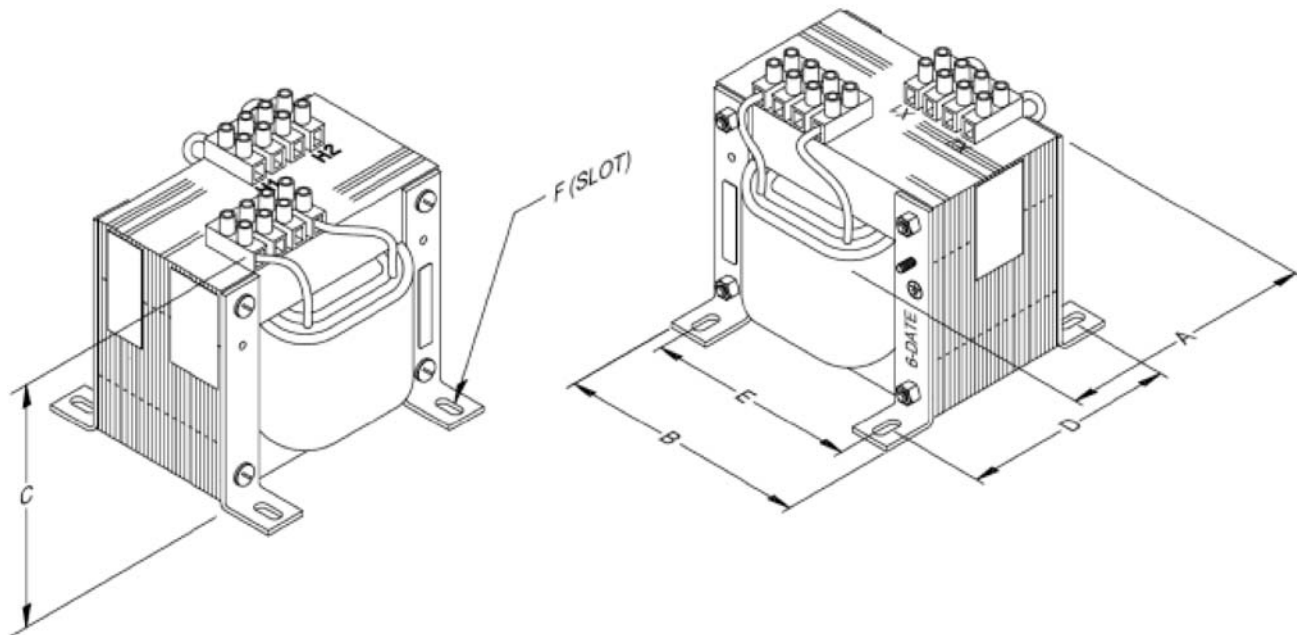


http://www.sncmfg.com/sites/default/files/2-1-13_SNC_GlobalControlTransformer-F4.jpg

F4 secondary fuse block holder on SNC Global Control Transformer allows easy factory or field installation of fuses/contactors



SNC 50 to 350 VA Global Control Transformers



SNC 500 to 5000 VA Global Control Transformers

SNC Global Control Transformers-Physical Characteristics

Primary Voltage Available Up to 600 Volts
 Secondary Voltage – 120 to 600 Volts
 (Approximate Dimensions)

VA	A	B	C	D	E	SLOT F	WGT
50	*3.228	3.000	***2.538	2.000	2.500	0.203 x 0.375	2.6
75	*3.728	3.000	***2.583	2.500	2.500	0.203 x 0.375	3.5
100	*4.228	3.000	***2.583	2.375	2.813	0.203 x 0.375	4.2
150	*4.183	3.750	***3.208	2.875	3.125	0.203 x 0.375	6.7
200	*3.957	4.500	***3.833	2.500	3.750	0.203 x 0.375	8.5
250	*4.457	4.500	***3.833	2.875	3.750	0.203 x 0.375	10.0
300	*4.457	4.500	***3.833	3.250	3.750	0.203 x 0.375	11.3
350	*4.457	4.500	***3.833	3.750	3.750	0.203 x 0.375	13.6
500	5.500	5.250	**5.530	4.250	4.375	0.313 x 0.688	19.2
750	7.000	5.250	**5.530	5.750	4.375	0.313 x 0.688	28.1
1000	5.125	6.375	**6.468	5.250	5.750	0.313 x 0.688	29.8
1500	6.125	6.375	**6.468	6.250	5.750	0.313 x 0.688	30.0
2000	6.875	6.375	**6.468	7.000	5.750	0.313 x 0.688	38.0
3000	6.500	9.000	**8.875	5.500	8.000	0.438 x 0.750	53.0
5000	7.500	9.000	**8.875	6.500	8.000	0.438 x 0.750	89.0

SNC Global Control Transformers-Physical Characteristics

Primary Voltage Available Up to 600 Volts
 Secondary Voltage – 12 to 24 Volts
 (Approximate Dimensions)

VA	A	B	C	D	E	SLOT F	WGT
50	*3.728	3.000	***2.538	2.000	2.500	0.203 x 0.375	3.5
75	*4.228	3.000	***2.583	2.375	2.813	0.203 x 0.375	4.2
100	*4.183	3.750	***3.208	2.875	3.125	0.203 x 0.375	6.7
150	*4.183	3.750	***3.208	2.875	3.125	0.203 x 0.375	8.0
250	*4.457	4.500	***3.833	2.875	3.750	0.203 x 0.375	10.0

VA	A	B	C	D	E	SLOT F	WGT
350	*5.186	4.500	***3.833	3.500	3.750	0.203 x 0.375	13.6
500	7.000	5.250	**5.530	5.750	3.875	0.313 x 0.688	20.0
750	7.000	5.250	**5.530	5.750	3.875	0.313 x 0.688	23.2
1000	7.000	5.250	**5.530	5.750	4.375	0.313 x 0.688	28.1

Note:

*Add 5/16" to the Depth when fuse clips are included

**Add 1/2" to the Height when fuse block is included (1, 2, and 3 poles)

***Add 1 3/8" to the Height when fuse block is included (1, 2, and 3 poles)M

SNC Global Control Transformer Regulation Table

(Inrush VA At 0.4 Power Factor)

Transformer KVA Rating	Secondary Voltage		
	85%	90%	95%
25	138	110	83
50	220	184	144
75	342	283	220
100	518	415	304
150	1015	788	540
200	1238	971	684
250	2138	1624	1067
300	2244	1702	1122
350	3630	2640	1540
500	3510	2750	1.92
750	6628	4972	3207
1000	8910	6160	3300
1500	17600	13200	7260
2000	21450	14850	8030
3000	28050	29975	11550
5000	82500	61600	36300

SNC Global Transformer Standard Voltages

110/115/120 (50/60 Hz)	110/23, 115/24, 120/25 (50/60 Hz)	115/120/110 (50/60 Hz)	110/115/120 (50/60 Hz)	24 (50/60 Hz)
220 x 440	440/220/200	460/230/208	550/575/600	120 x 240
230 x 460	460/230/208	480/240		
240 x 480	480/240	440/220/200		

SNC Manufacturing Global Control Transformer Primary Standard Fuse Rating

VA/Voltage	120	208	230	240	277	380	416	440	460	480	550	600
25	0.6	0.3	0.3	0.3	0.25	0.25	0.25	0.25	0.25	0.25	0.25	0.25
45	1.13	0.6	0.5	0.5	0.4	0.3	0.3	0.3	0.3	0.25	0.25	0.25
50	1.25	0.75	0.6	0.6	0.5	0.4	0.3	0.3	0.3	0.3	0.25	0.25
75	1.8	1	0.8	0.8	0.8	0.6	0.5	0.5	0.4	0.4	0.4	0.3
100	2.5	1.4	1.3	1.25	1	0.75	0.75	0.6	0.6	0.6	0.5	0.5
150	3.5	2	1.8	1.8	1.6	1.125	1	1	0.8	0.8	0.8	0.75
250	3.2	3.5	3.2	3	2.5	1.8	1.8	1.6	1.6	1.5	1.3	1.25
300	4	4	3.5	3.5	3.2	2.25	2	2	1.8	1.8	1.6	1.5
350	4.5	5	4.5	4	3.5	2.5	2.5	2.25	2.25	2	1.8	1.6

VA/Voltage	120	208	230	240	277	380	416	440	460	480	550	600
500	6.25	4	3.5	3.2	5	3.5	3.5	3.2	3.2	3	2.5	2.5
750	10	6	5	5	4.5	5.6	5	5	4.5	4.5	4	3.5
1000	15	8	7	6.25	6	4	4	3.5	3.5	3.2	5	5
1500	17.5	12	12	10	9	6.25	6	5.6	5	5	4.5	4
2000	25	12	15	15	12	8	8	7.5	7	6.25	6	5.6
3000	30	20	17.5	17.5	15	15	12	12	12	10	9	8
5000		30	30	30	25	17.5	15	15	15	15	12	15

SNC Manufacturing Global Control Transformer Secondary Standard Fuse Rating

VA/Voltage	12	24	85	90	100	110	115	120	125	130
25	3.2	1.6	0.5	0.4	0.4	0.3	0.3	0.3	0.3	0.3
45	6	3	0.8	0.8	0.75	0.6	0.6	0.6	0.6	0.5
50	6.25	3.2	0.8	0.8	0.8	0.75	0.75	0.75	0.6	0.6
75	10	5	1.4	1.4	1.25	1.125	1	1	1	0.8
100	15	6.25	1.8	1.8	1.6	1.5	1.4	1.4	1.3	1.25
150	17.5	10	2.8	2.5	2.5	2.25	2	2	2	1.8
250	30	15	4.5	4.5	4	3.5	3.5	3.2	3.2	3.2
300	35	17.5	5.6	5.6	5	4.5	4	4	4	3.5
350	40	20	6.25	6.25	5.6	5	5	4.5	4.5	4.5
500	50	30	10	9	8	7.5	7	6.25	6.25	6.25
750		40	15	15	12	12	12	10	10	10
1000		50	15	15	12	12	15	15	15	15
1500			25	25	20	17.5	17.5	17.5	15	15
2000			30	30	25	25	25	25	20	20
3000			45	45	40	35	35	35	30	30
5000			50	50	50	50	50	50	50	50

220X440, 230X460, 240X480 110/115/120 50/60 Hz

SNC Part No.	SNC Model No.	VA	Max Dth +/- 0.010	Max Wth +0.125, -0.000	Max Ht +0.250, -0.000	SNC's Dimensions		Mounting Hole		Weight
						Mounting Depth	Mounting Width	Depth	Width	
P22585 (/sites/default/files/P22585.pdf)	BA050DMF	50	*3.228	3.000	***2.583	2.000	2.500	0.203	0.375	2.6
P22426 (/sites/default/files/P22426.pdf)	BA075DMF	75	*3.728	3.000	***2.583	2.500	2.500	0.203	0.375	3.5
P22427 (/sites/default/files/P22427.pdf)	BA100DMF	100	*4.228	3.000	***2.583	2.375	2.813	0.203	0.375	4.2
P22428 (/sites/default/files/P22428.pdf)	BB150DMF	150	*4.183	3.750	***3.208	2.875	3.125	0.203	0.375	6.7
P22645 (/sites/default/files/P22645.pdf)	BB200DMF	200	*3.957	4.500	***3.833	2.500	3.750	0.203	0.375	8.5
P22429 (/sites/default/files/P22429.pdf)	BB250DMF	250	*4.457	4.500	***3.833	2.875	3.750	0.203	0.375	10.0
P22646 (/sites/default/files/P22646.pdf)	BB300DMF	300	*4.457	4.500	***3.833	3.250	3.750	0.203	0.375	11.3
P22430 (/sites/default/files/P22430.pdf)	BB350DMF	350	*5.186	4.500	***3.833	3.750	3.750	0.203	0.375	13.6
P22431 (/sites/default/files/P22431.pdf)	AB500DMF	500	5.500	5.250	**5.530	4.250	4.375	0.313	0.688	19.2

SNC Part No.	SNC Model No.	VA	Max Dth +/- 0.010	Max Wth +0.125, -0.000	Max Ht +0.250, -0.000	SNC's Dimensions		Mounting Hole		Weight
						Mounting Depth	Mounting Width	Depth	Width	
P22432	AB750DMF	750	7.000	5.250	**5.530	5.750	4.375	0.313	0.688	28.1
P22433	AH1K0DMF	1000	5.125	6.375	**6.468	5.250	5.750	0.313	0.688	29.8
P22434	AH1K5DMF	1500	6.125	6.375	**6.468	6.250	5.750	0.313	0.688	30.0
P22435	AH2K0DMF	2000	6.875	6.375	**6.468	7.000	5.750	0.313	0.688	38.0
P22436	AH3K0DMF	3000	6.500	9.000	**8.875	5.500	8.000	0.438	0.750	53.0
P22437	AH5K0DMF	5000	7.500	9.000	**8.875	6.500	8.000	0.438	0.750	89.0

Note:

*Add 5/16" to the Depth when fuse clips are included

**Add 1/2" to the Height when fuse block is included (1, 2, and 3 poles)

***Add 1 3/8" to the Height when fuse block is included (1, 2, and 3 poles)M

440/220/200, 460/230/208, 480/240 110/23, 115/24, 120/25 50/60 Hz

SNC Part No.	SNC Model No.	VA	Max Dth +/- 0.010	Max Wth +0.125, -0.000	Max Ht +0.250, -0.000	SNC's Dimensions		Mounting Hole		Weight
						Mounting Depth	Mounting Width	Depth	Width	
P22466	BA050CLF	50	*3.728	3.000	***2.583	2.500	2.500	0.203	0.375	3.5
P22467	BA075CLF	75	*4.228	3.000	***2.583	2.375	2.813	0.203	0.375	4.2
P22468	BA100CLF	100	*4.183	3.750	***3.208	2.875	3.125	0.203	0.375	6.7
P22469	BB150CLF	150	*4.183	3.750	***3.208	2.875	3.125	0.203	0.375	8.0
P22470	BB250CLF	250	*4.457	4.500	***3.833	2.875	3.750	0.203	0.375	10.0
P22471	BB350CLF	350	*5.186	4.500	***3.833	3.500	3.750	0.203	0.375	13.6
P22472	AB500CLF	500	7.000	5.250	**5.530	5.750	3.875	0.313	0.688	20.0
P22473	AB750CLF	750	7.000	5.250	**5.530	5.750	3.875	0.313	0.688	23.2
P22474	AB1K0CLF	1000	7.000	5.250	**5.530	5.750	4.375	0.313	0.688	28.1

Note:

*Add 5/16" to the Depth when fuse clips are included

**Add 1/2" to the Height when fuse block is included (1, 2, and 3 poles)

***Add 1 3/8" to the Height when fuse block is included (1, 2, and 3 poles)M

460/230/208, 480/240, 440/220/200 115,120,110 50/60HZ

SNC Part No.	SNC Model No.	VA	Max Dth +/- 0.010	Max Wth +0.125, -0.000	Max Ht +0.250, -0.000	SNC's Dimensions		Mounting Hole		Weight
						Mounting Depth	Mounting Width	Depth	Width	
P22612 (/sites/default/files/P22612.pdf)	CB750CMF	750	7.000	5.250	**5.530	5.750	4.375	0.313	0.688	28.1
P22613 (/sites/default/files/P22613.pdf)	AB1K0CMF	1000	5.125	6.375	**6.468	5.250	5.750	0.313	0.688	29.8
P22614 (/sites/default/files/P22614.pdf)	AB1K5CMF	1500	6.125	6.375	**6.468	6.250	5.750	0.313	0.688	30.0
P22615 (/sites/default/files/P22615.pdf)	AB2K0CMF	2000	6.875	6.375	**6.468	7.000	5.750	0.313	0.688	38.0
P22617 (/sites/default/files/P22617.pdf)	AB3K0CMF	3000	6.500	9.000	**8.875	5.500	8.000	0.438	0.750	53.0
P22618 (/sites/default/files/P22618.pdf)	AB5K0CMF	5000	7.500	9.000	**8.875	6.500	8.000	0.438	0.750	89.0

Note:

- *Add 5/16" to the Depth when fuse clips are included
- **Add 1/2" to the Height when fuse block is included (1, 2, and 3 poles)
- ***Add 1 3/8" to the Height when fuse block is included (1, 2, and 3 poles)M

550/575/600 110/115/120 50/60 Hz

SNC Part No.	SNC Model No.	VA	Max Dth +/- 0.010	Max Wth +0.125, -0.000	Max Ht +0.250, -0.000	SNC's Dimensions		Mounting Hole		Weight
						Mounting Depth	Mounting Width	Depth	Width	
P22446 (/sites/default/files/P22446.pdf)	BA050EMF	50	*3.228	3.000	***2.583	2.000	2.500	0.203	0.375	2.6
P22447 (/sites/default/files/P22447.pdf)	BA075EMF	75	*3.728	3.000	***2.583	2.500	2.500	0.203	0.375	3.5
P22448 (/sites/default/files/P22448.pdf)	BA100EMF	100	*4.228	3.000	***2.583	2.375	2.813	0.203	0.375	4.2
P22449 (/sites/default/files/P22449.pdf)	BB150EMF	150	*4.183	3.750	***3.208	2.875	3.125	0.203	0.375	6.7
P22450 (/sites/default/files/P22450.pdf)	BB250EMF	250	*4.457	4.500	***3.833	2.875	3.750	0.203	0.375	10.0
P22451 (/sites/default/files/P22451.pdf)	BB350EMF	350	*5.186	4.500	***3.833	3.500	3.750	0.203	0.375	13.6
P22452 (/sites/default/files/P22452.pdf)	AB500EMF	500	5.500	5.250	**5.530	4.313	4.375	0.313	0.688	16.8
P22453 (/sites/default/files/P22453.pdf)	AB750EMF	750	7.000	5.250	**5.530	5.750	4.375	0.313	0.688	28.1

Note:

- *Add 5/16" to the Depth when fuse clips are included
- **Add 1/2" to the Height when fuse block is included (1, 2, and 3 poles)
- ***Add 1 3/8" to the Height when fuse block is included (1, 2, and 3 poles)M

120X240 24 50/60HZ

SNC Part No.	SNC Model No.	VA	Max Dth +/- 0.010	Max Wth +0.125, -0.000	Max Ht +0.250, -0.000 <i>Fuse Clip Ht not included</i>	SNC's Dimensions				Weight
						Mounting Depth	Mounting Width	Mounting Hole		
								Depth	Width	
P22458	BA050ASF	50	*3.228	3.000	***2.583	2.000	2.500	0.203	0.375	2.6
P22459	BA075ASF	75	*3.728	3.000	***2.583	2.500	2.500	0.203	0.375	3.5
P22460	BA100ASF	100	*4.228	3.375	***2.583	2.375	2.813	0.203	0.375	4.2
P22461	BB150ASF	150	*4.183	3.750	***3.208	2.875	3.125	0.203	0.375	6.7
P22462	BB250ASF	250	*4.457	4.500	***3.833	2.875	3.750	0.203	0.375	10.0
P22463	BB350ASF	350	*5.186	4.500	***3.833	3.750	3.750	0.203	0.375	13.6
P22464	AB500ASF	500	5.500	5.250	**5.530	4.313	4.375	0.313	0.688	16.8
P22465	AB750ASF	750	7.000	5.250	**5.530	5.750	4.375	0.313	0.688	28.1

Note:

*Add 5/16" to the Depth when fuse clips are included

**Add 1/2" to the Height when fuse block is included (1, 2, and 3 poles)

***Add 1 3/8" to the Height when fuse block is included (1, 2, and 3 poles)M

240X480 24 50/60HZ Group C Imprev

SNC Part No.	SNC Model No.	VA	Max Dth +/- 0.010	Max Wth +0.125, -0.000	Max Ht +0.250, -0.000 <i>Fuse Clip Ht not included</i>	SNC's Dimensions				Weight
						Mounting Depth	Mounting Width	Mounting Hole		
								Depth	Width	
P22438	BA050ASF	50	*3.228	3.000	***2.583	2.000	2.500	0.203	0.375	2.6
P22439	BA075ASF	75	*3.728	3.000	***2.583	2.500	2.500	0.203	0.375	3.5
P22440	BA100ASF	100	*4.228	3.375	***2.583	2.375	2.813	0.203	0.375	4.2
P22441	BB150ASF	150	*4.183	3.750	***3.208	2.875	3.125	0.203	0.375	6.7
P22442	BB250ASF	250	*4.457	4.500	***3.833	2.875	3.750	0.203	0.375	10.0
P22443	BB350ASF	350	*5.186	4.500	***3.833	3.750	3.750	0.203	0.375	13.6
P22444	AB500ASF	500	5.500	5.250	**5.530	4.313	4.375	0.313	0.688	16.8
P22445	AB750ASF	750	7.000	5.250	**5.530	5.750	4.375	0.313	0.688	28.1

Note:

*Add 5/16" to the Depth when fuse clips are included

**Add 1/2" to the Height when fuse block is included (1, 2, and 3 poles)

***Add 1 3/8" to the Height when fuse block is included (1, 2, and 3 poles)M