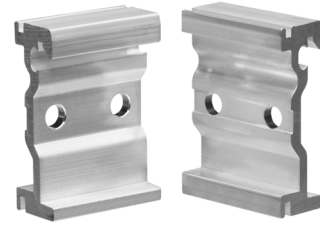


Application Note

1606-XLA

- Wall Mounting Set (2 pieces)

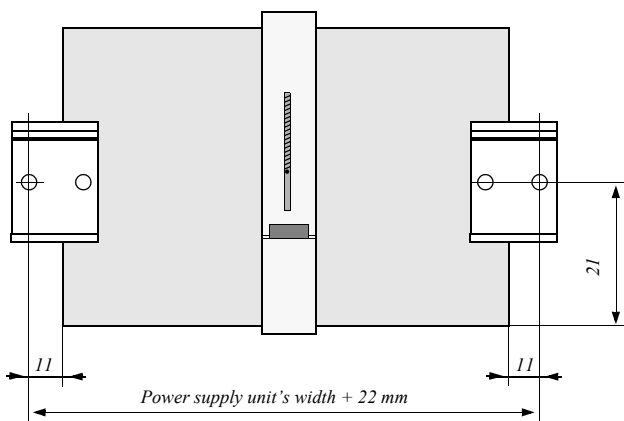
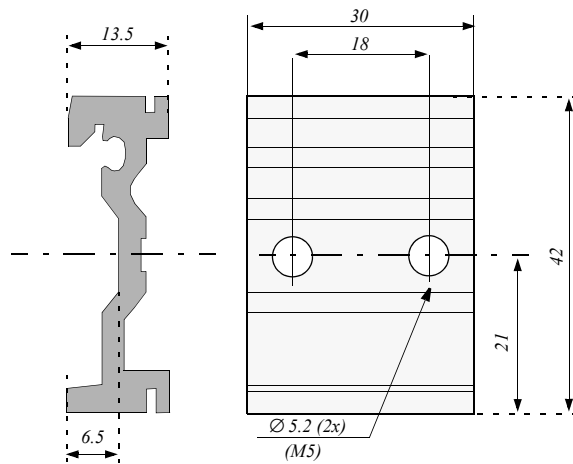


Instead of snapping a unit onto the DIN-rail, you also can screw it on a surface by means of the wall mounting set 1606-XLA. This set consists of two aluminum profiles which replace the existing profiles at the back of the unit.

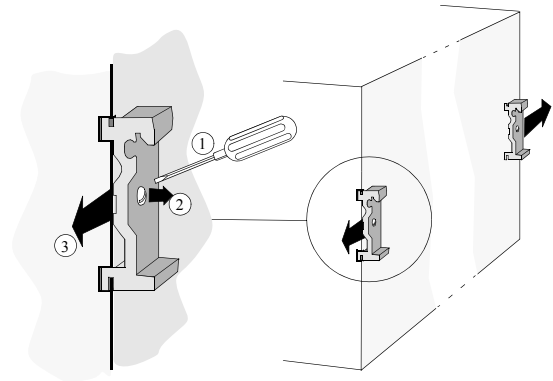
Notes:

- You need one 1606-XLA per unit.
- In addition, one screw is required per 1606-XLA (e.g. M5 x 12 or corresponding sheet-metal screws; they are not included in the set.)

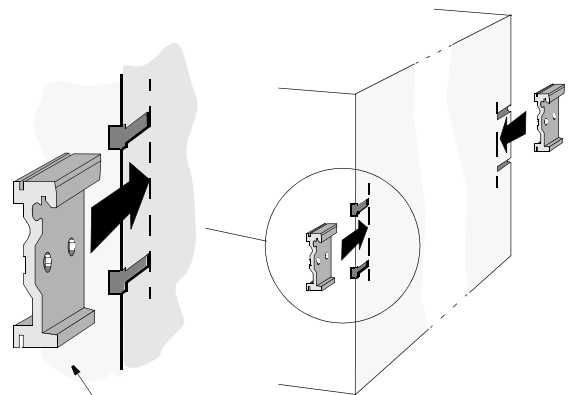
Dimensions



- a) At the unit: Remove the screw from the profiles. Pull the profiles outwards to remove.



- b) Push the 1606-XLA profiles into the groove as far as possible and firmly screw them down.



Note the orientation:
The profile fits into the groove only as shown here.

www.rockwellautomation.com

Corporate Headquarters

Rockwell Automation, 777 East Wisconsin Avenue, Suite 1400, Milwaukee, WI, 53202-5302 USA, Tel: (1) 414.212.5200, Fax: (1) 414.212.5201

Headquarters for Allen-Bradley Products, Rockwell Software Products and Global Manufacturing Solutions

Americas: Rockwell Automation, 1201 South Second Street, Milwaukee, WI 53204-2496 USA, Tel: (1) 414.382.2000, Fax: (1) 414.382.4444

Europe: Rockwell Automation SA/NV, Vorstlaan/Boulevard du Souverain 36-BP 3A/B, 1170 Brussels, Belgium, Tel: (32) 2 663 0600, Fax: (32) 2 663 0640

Asia Pacific: Rockwell Automation, 27/F Citicorp Centre, 18 Whitfield Road, Causeway Bay, Hong Kong, Tel: (852) 2887 4788, Fax: (852) 2508 1846

Headquarters for Dodge and Reliance Electric Products

Americas: Rockwell Automation, 6040 Ponders Court, Greenville, SC 29615-4617 USA, Tel: (1) 864.297.4800, Fax: (1) 864.281.2433

Europe: Rockwell Automation, Brühlstraße 22, D-74834 Elztal-Dallau, Germany, Tel: (49) 6261 9410, Fax: (49) 6261 1774

Asia Pacific: Rockwell Automation, 55 Newton Road, #11-01/02 Revenue House, Singapore 307987, Tel: (65) 351 6723, Fax: (65) 355 1733