



POINT I/O 120V AC Input Module

Catalog numbers 1734-IA2, 1734-IA4, Series C

Table of Contents

| Topic | Page |
|--|-------------|
| Important User Information | 2 |
| Environment and Enclosure | 3 |
| Preventing Electrostatic Discharge | 3 |
| North American Hazardous Location Approval | 4 |
| European Hazardous Location Approval | 5 |
| Before You Begin | 6 |
| Install the Mounting Base | 8 |
| Install the Module | 9 |
| Install the Removable Terminal Block | 11 |
| Remove a Mounting Base | 13 |
| Wire the Module | 14 |
| Communicate with Your Module | 17 |
| Interpret Status Indicators | 18 |
| Specifications | 20 |

Important User Information

Solid-state equipment has operational characteristics differing from those of electromechanical equipment. Safety Guidelines for the Application, Installation and Maintenance of Solid State Controls (Publication [SGI-1.1](#) available from your local Rockwell Automation sales office or online at <http://www.rockwellautomation.com/literature/>) describes some important differences between solid-state equipment and hard-wired electromechanical devices. Because of this difference, and also because of the wide variety of uses for solid-state equipment, all persons responsible for applying this equipment must satisfy themselves that each intended application of this equipment is acceptable.





In no event will Rockwell Automation, Inc. be responsible or liable for indirect or consequential damages resulting from the use or application of this equipment.

The examples and diagrams in this manual are included solely for illustrative purposes. Because of the many variables and requirements associated with any particular installation, Rockwell Automation, Inc. cannot assume responsibility or liability for actual use based on the examples and diagrams.

No patent liability is assumed by Rockwell Automation, Inc. with respect to use of information, circuits, equipment, or software described in this manual.

Reproduction of the contents of this manual, in whole or in part, without written permission of Rockwell Automation, Inc., is prohibited.

Throughout this manual, when necessary, we use notes to make you aware of safety considerations.

| | |
|---|---|
|  | WARNING: Identifies information about practices or circumstances that can cause an explosion in a hazardous environment, which may lead to personal injury or death, property damage, or economic loss. |
|  | ATTENTION: Identifies information about practices or circumstances that can lead to personal injury or death, property damage, or economic loss. Attentions help you identify a hazard, avoid a hazard and recognize the consequences. |
|  | SHOCK HAZARD: Labels may be on or inside the equipment (for example, drive or motor) to alert people that dangerous voltage may be present. |
|  | BURN HAZARD: Labels may be on or inside the equipment (for example, drive or motor) to alert people that surfaces may reach dangerous temperatures. |
| IMPORTANT | Identifies information that is critical for successful application and understanding of the product. |

Environment and Enclosure



ATTENTION: This equipment is intended for use in a Pollution Degree 2 industrial environment, in overvoltage Category II applications (as defined in IEC publication 60664-1), at altitudes up to 2000 meters (6562 ft) without derating.

This equipment is considered Group 1, Class A industrial equipment according to IEC/CISPR Publication 11. Without appropriate precautions, there may be potential difficulties ensuring electromagnetic compatibility in other environments due to conducted as well as radiated disturbance.

This equipment is supplied as open-type equipment. It must be mounted within an enclosure that is suitably designed for those specific environmental conditions that will be present and appropriately designed to prevent personal injury resulting from accessibility to live parts. The enclosure must have suitable flame-retardant properties to prevent or minimize the spread of flame, complying with a flame spread rating of 5VA, V2, V1, V0 (or equivalent) if non-metallic. The interior of the enclosure must be accessible only by the use of a tool. Subsequent sections of this publication may contain additional information regarding specific enclosure type ratings that are required to comply with certain product safety certifications.

In addition to this publication, see:

- Industrial Automation Wiring and Grounding Guidelines, for additional installation requirements, Allen-Bradley publication [1770-IN041](#).
- NEMA Standards publication 250 and IEC publication 60529, as applicable, for explanations of the degrees of protection provided by different types of enclosure.



Preventing Electrostatic Discharge



ATTENTION: This equipment is sensitive to electrostatic discharge, which can cause internal damage and affect normal operation. Follow these guidelines when you handle this equipment:

- Touch a grounded object to discharge potential static.
 - Wear an approved grounding wriststrap.
 - Do not touch connectors or pins on component boards.
 - Do not touch circuit components inside the equipment.
 - Use a static-safe workstation, if available.
 - Store the equipment in appropriate static-safe packaging when not in use.
-

North American Hazardous Location Approval

| The following information applies when operating this equipment in hazardous locations: | Informations sur l'utilisation de cet équipement en environnements dangereux: |
|---|---|
| <p>Products marked "CL I, DIV 2, GP A, B, C, D" are suitable for use in Class I Division 2 Groups A, B, C, D, Hazardous Locations and nonhazardous locations only. Each product is supplied with markings on the rating nameplate indicating the hazardous location temperature code. When combining products within a system, the most adverse temperature code (lowest "T" number) may be used to help determine the overall temperature code of the system. Combinations of equipment in your system are subject to investigation by the local Authority Having Jurisdiction at the time of installation.</p> | <p>Les produits marqués "CL I, DIV 2, GP A, B, C, D" ne conviennent qu'à une utilisation en environnements de Classe I Division 2 Groupes A, B, C, D dangereux et non dangereux. Chaque produit est livré avec des marquages sur sa plaque d'identification qui indiquent le code de température pour les environnements dangereux. Lorsque plusieurs produits sont combinés dans un système, le code de température le plus défavorable (code de température le plus faible) peut être utilisé pour déterminer le code de température global du système. Les combinaisons d'équipements dans le système sont sujettes à inspection par les autorités locales qualifiées au moment de l'installation.</p> |
| <div style="display: flex; align-items: center;">  <div> <p>EXPLOSION HAZARD</p> <ul style="list-style-type: none"> • Do not disconnect equipment unless power has been removed or the area is known to be nonhazardous. • Do not disconnect connections to this equipment unless power has been removed or the area is known to be nonhazardous. Secure any external connections that mate to this equipment by using screws, sliding latches, threaded connectors, or other means provided with this product. • Substitution of components may impair suitability for Class I, Division 2. • If this product contains batteries, they must only be changed in an area known to be nonhazardous. </div> </div> | <div style="display: flex; align-items: center;">  <div> <p>RISQUE D'EXPLOSION</p> <ul style="list-style-type: none"> • Couper le courant ou s'assurer que l'environnement est classé non dangereux avant de débrancher l'équipement. • Couper le courant ou s'assurer que l'environnement est classé non dangereux avant de débrancher les connecteurs. Fixer tous les connecteurs externes reliés à cet équipement à l'aide de vis, loquets coulissants, connecteurs filetés ou autres moyens fournis avec ce produit. • La substitution de composants peut rendre cet équipement inadapté à une utilisation en environnement de Classe I, Division 2. • S'assurer que l'environnement est classé non dangereux avant de changer les piles. </div> </div> |

European Hazardous Location Approval

The following applies when the product bears the Ex Marking

This equipment is intended for use in potentially explosive atmospheres as defined by European Union Directive 94/9/EC.

DEMKO certifies that this equipment has been found to comply with the Essential Health and Safety Requirements relating to the design and construction of Category 3 equipment intended for use in Zone 2 potentially explosive atmospheres, given in Annex II to this Directive.

Compliance with the Essential Health and Safety Requirements has been assured by compliance with EN 60079-0:2012+A11:2013, EN 60079-15:2010, reference certificate number DEMKO 04ATEX0330347X.



WARNING: This equipment shall be mounted in an ATEX certified enclosure with a minimum ingress protection rating of at least IP54 (as defined in IEC60529) and used in an environment of not more than Pollution Degree 2 (as defined in IEC 60664-1) when applied in Zone 2 environments. The enclosure must utilize a tool removable cover or door.

WARNING: This equipment shall be used within its specified ratings defined by Rockwell Automation.

WARNING: Provision shall be made to prevent the rated voltage from being exceeded by transient disturbances of more than 140% of the rated voltage when applied in Zone 2 environments.

WARNING: Secure any external connections that mate to this equipment by using screws, sliding latches, threaded connectors, or other means provided with this product.

WARNING: Do not disconnect equipment unless power has been removed or the area is known to be nonhazardous.



ATTENTION: This equipment is not resistant to sunlight or other sources of UV radiation.

Before You Begin

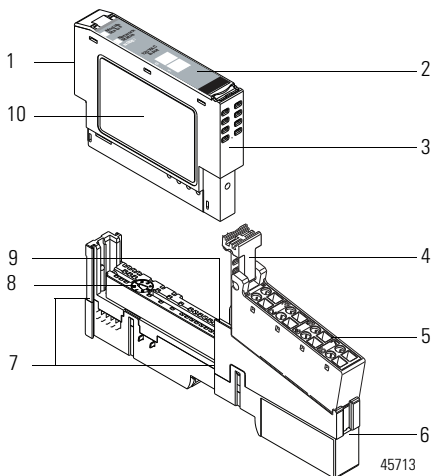
You can use these POINT I/O™ 120V AC Input modules with DeviceNet and PROFIBUS adapters. If you are using RSLogix 5000 software, version 11 or higher, you can also use the Series C modules with ControlNet and Ethernet adapters.

Use this diagram to identify the external features of the module.

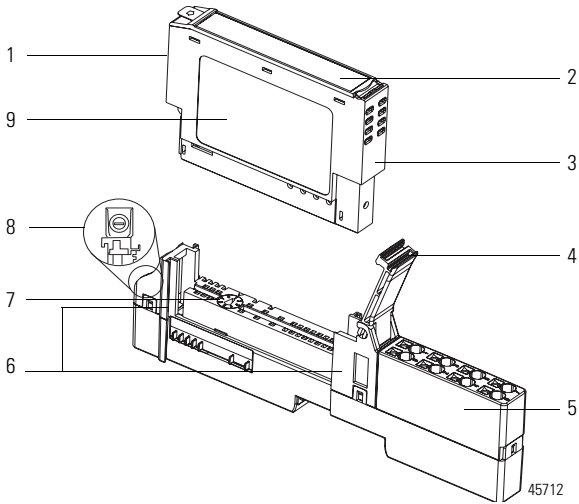
Note: The wiring base assembly consists of one of the following:

- 1734-TB or 1734-TBS POINT I/O two-piece terminal base, which includes the 1734-RTB Removable Terminal Block
- 1734-TOP or 1734-TOPS POINT I/O single-piece terminal base

POINT I/O 120V AC Input Module



| | Description | | Description |
|---|---------------------------------------|----|-----------------------------------|
| 1 | Module locking mechanism | 6 | Mounting base – 1734-TB, 1734-TBS |
| 2 | Slide-in writable label | 7 | Interlocking side pieces |
| 3 | Insertable I/O module | 8 | Mechanical keying (orange) |
| 4 | Removable Terminal Block (RTB) handle | 9 | DIN rail locking screw (orange) |
| 5 | RTB with screw or spring clamp | 10 | Module wiring diagram |



| | Description | | Description |
|---|--|---|---------------------------------|
| 1 | Module locking mechanism | 6 | Interlocking side pieces |
| 2 | Slide-in writable label | 7 | Mechanical keying (orange) |
| 3 | Insertable I/O module | 8 | DIN rail locking screw (orange) |
| 4 | Handle | 9 | Module wiring diagram |
| 5 | One-piece terminal base with screw or spring clamp – 1734-TOP, 1734-TOPS | | |

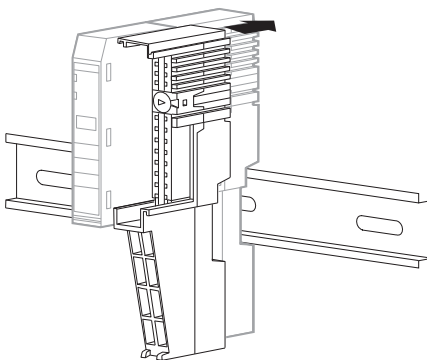
Install the Mounting Base

To install the mounting base on the DIN rail (Allen-Bradley part number 199-DR1; 46277-3; EN50022), proceed as follows:



ATTENTION: This product is grounded through the DIN rail to chassis ground. Use zinc plated yellow-chromate steel DIN rail to assure proper grounding. The use of other DIN rail materials (for example, aluminum or plastic) that can corrode, oxidize, or are poor conductors, can result in improper or intermittent grounding. Secure DIN rail to mounting surface approximately every 200 mm (7.8 in.) and use end-anchors appropriately.

1. Position the mounting base vertically above the installed units (adapter, power supply or existing module).



31586

2. Slide the mounting base down allowing the interlocking side pieces to engage the adjacent module or adapter.
3. Press firmly to seat the mounting base on the DIN rail. The mounting base snaps into place.

Install the Module

The module can be installed before or after base installation. Make sure that the mounting base is correctly keyed before installing the module into the mounting base. In addition, make sure the mounting base locking screw is positioned horizontal referenced to the base.

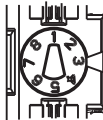


WARNING: When you insert or remove the module while backplane power is on, an electrical arc can occur. This could cause an explosion in hazardous location installations.

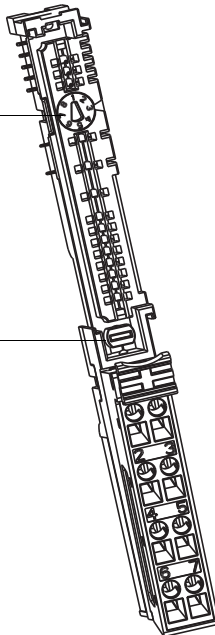
Be sure that power is removed or the area is nonhazardous before proceeding. Repeated electrical arcing causes excessive wear to contacts on both the module and its mating connector. Worn contacts may create electrical resistance that can affect module operation.

1734-TB base

Turn the keyswitch to align the number with the notch. Notch position 3 is shown here.



Make sure the DIN-rail locking screw is in the horizontal position.

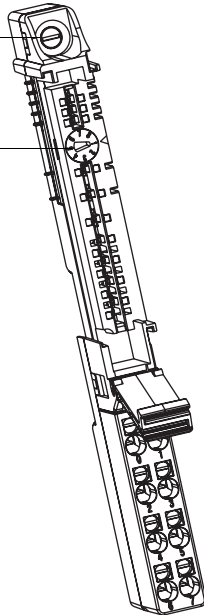
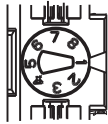


45696

1734-TOP base

Make sure the DIN-rail locking screw is in the horizontal position.

Turn the keyswitch to align the number with the notch.
Notch position 1 is shown here.



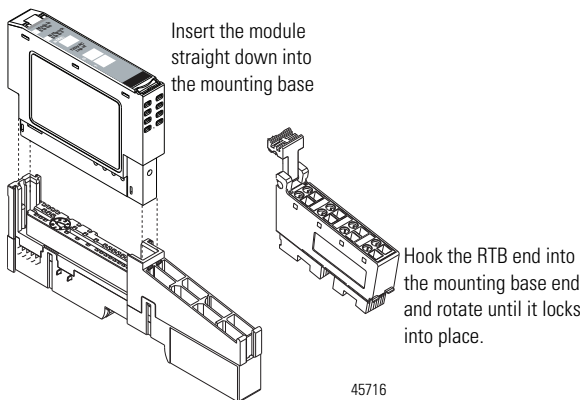
45697

1. Using a bladed screwdriver, rotate the keyswitch on the mounting base clockwise until the number required for the type of module being installed aligns with the notch in the base.
2. Make certain the DIN rail locking screw is in the horizontal position. You cannot insert the module if the locking mechanism is unlocked.
3. Insert the module straight down into the mounting base and press to secure. The module locks into place.

Install the Removable Terminal Block

A Removable Terminal Block (RTB) is supplied with your wiring base assembly. To remove, pull up on the RTB handle. This allows the mounting base to be removed and replaced as necessary without removing any of the wiring. To reinsert the Removable Terminal Block, proceed as follows:

1. Insert the end opposite the handle into the base unit. This end has a curved section that engages with the wiring base.
2. Rotate the terminal block into the wiring base until it locks itself in place.
3. If an I/O module is installed, snap the RTB handle into place on the module.



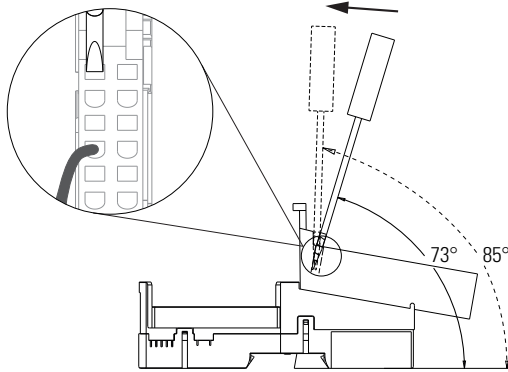
WARNING: When you connect or disconnect the Removable Terminal Block (RTB) with field side power applied, an electrical arc can occur. This could cause an explosion in hazardous location installations.

Be sure that power is removed or the area is nonhazardous before proceeding.

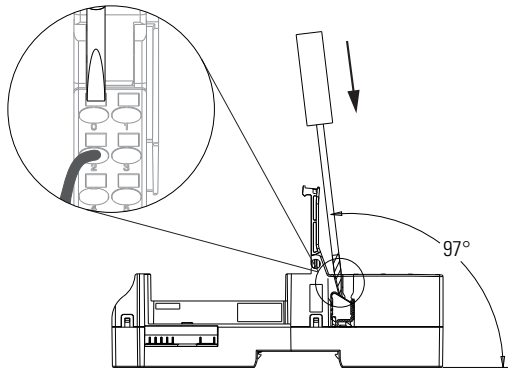
12 POINT I/O 120V AC Input Module



WARNING: For 1734-RTBS and 1734-RTB3S, to latch and un-latch the wire, insert a bladed screwdriver (catalog number 1492-N90 – 3 mm diameter blade) into the opening at approximately 73° (blade surface is parallel with top surface of the opening) and push up gently.



WARNING: For 1734-TOPS and 1734-TOP3S, to latch and un-latch the wire, insert a bladed screwdriver (catalog number 1492-N90 – 3 mm diameter) into the opening at approximately 97° (blade surface is parallel with top surface of the opening) and press in (do not push up or down).

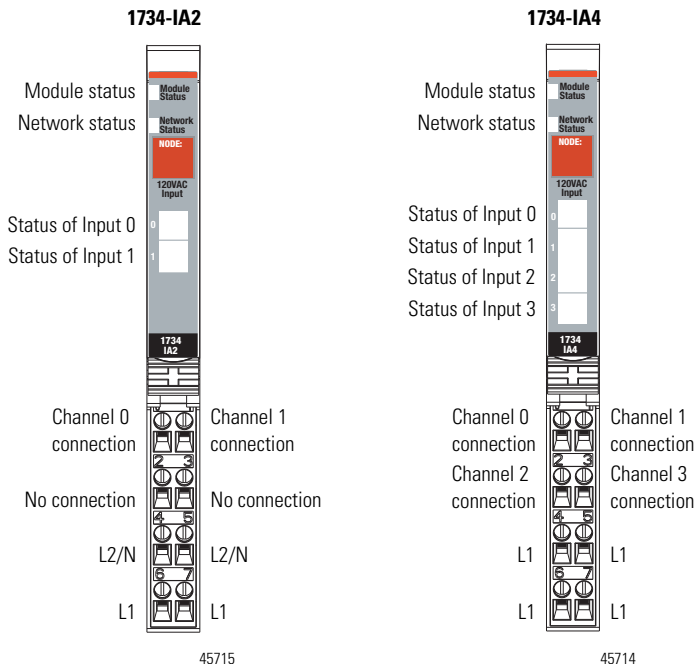


Remove a Mounting Base

To remove a mounting base, you must remove any installed module, and the module installed in the base to the right. Remove the Removable Terminal Block, if wired.

1. Unlatch the RTB handle on the I/O module.
2. Pull on the RTB handle to remove the Removable Terminal Block.
3. Press on the module lock on the top of the module.
4. Pull on the I/O module to remove from the base.
5. Repeat steps 1, 2, 3 and 4 for the module to the right.
6. Use a small bladed screwdriver to rotate the orange base locking screw to a vertical position. This releases the locking mechanism.
7. Lift straight up to remove.

Wire the Module

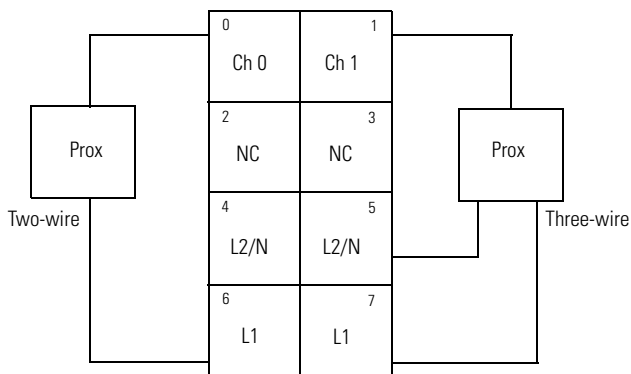


L2/N = 120V AC return
L1 = 120V AC supply



WARNING: If you connect or disconnect wiring while the field-side power is on, an electrical arc can occur. This could cause an explosion in hazardous location installations. Be sure that power is removed or the area is nonhazardous before proceeding.

1734-IA2



Ch 0 = Channel 0 input

L2/N = 120V AC neutral

Ch 1 = Channel 1 input

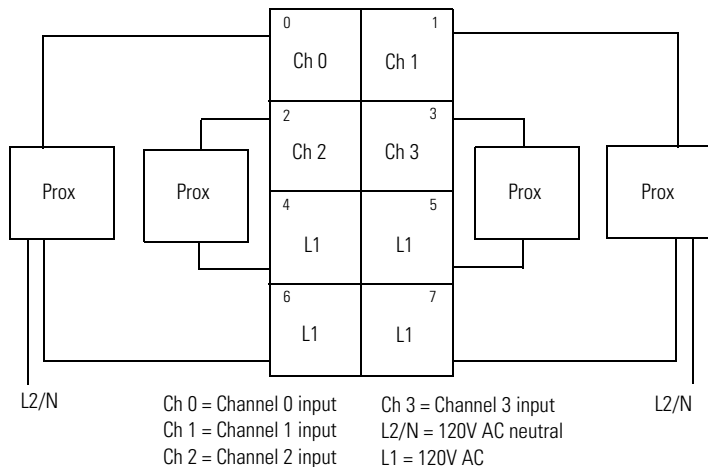
L1 = 120V AC

NC = No connection

| Channel | Input terminal | Return | Supply |
|---------|----------------|--------|--------|
| 0 | 0 | 4 | 6 |
| 1 | 1 | 5 | 7 |

Module power is supplied from the internal power bus.

1734-IA4



| Channel | Input terminal | Power |
|---------|----------------|-------|
| 0 | 0 | 4 |
| 1 | 1 | 5 |
| 2 | 2 | 6 |
| 3 | 3 | 7 |

Module power is supplied from the internal power bus.

Communicate with Your Module

I/O messages are sent to (consumed) and received from (produced) the POINT I/O modules. These messages are mapped onto the processor's memory.

The POINT I/O output module produces 1 Byte of input data (scanner Tx) (state). It does not consume data (scanner Rx).

Default Data Map for 1734-IA2

Message size: 1 Byte

| | 7 | 6 | 5 | 4 | 3 | 2 | 1 | 0 |
|--|------------------|---|---|---|---|---|-----|-----|
| Produces (scanner Rx) | | | | | | | Ch1 | Ch0 |
| Consumes (scanner Tx) | No consumed data | | | | | | | |
| Where: Ch0 = Channel 0, Ch1 = Channel 1, 0 = Off, 1 = On | | | | | | | | |

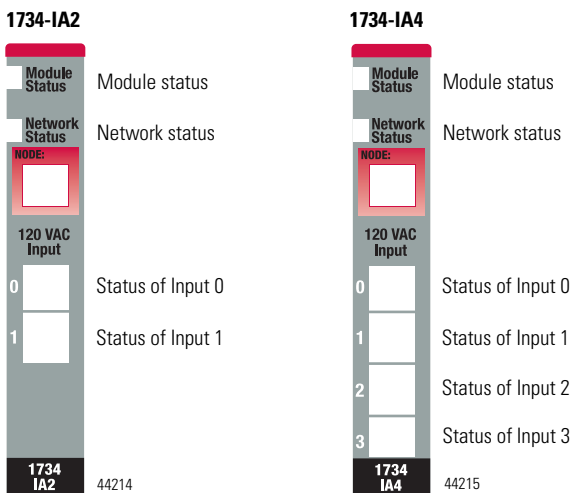
Default Data Map for 1734-IA4

Message size: 1 Byte

| | 7 | 6 | 5 | 4 | 3 | 2 | 1 | 0 |
|--|------------------|---|---|---|-----|-----|-----|-----|
| Produces (scanner Rx) | | | | | Ch3 | Ch2 | Ch1 | Ch0 |
| Consumes (scanner Tx) | No consumed data | | | | | | | |
| Where: Ch0 = Channel 0, Ch1 = Channel 1, Ch2 = Channel 2, Ch3 = Channel 3, 0 = Off, 1 = On | | | | | | | | |

Interpret Status Indicators

Refer to the following diagram and table for information on how to interpret the status indicators.



Indicator Status for Modules

| | Status | Description | Recommended Action |
|---------------|--------------------|--|---|
| Module status | Off | No power applied to device. | Apply power to device. |
| | Green | Device operating normally. | None. |
| | Flashing green | Device needs commissioning due to missing, incomplete, or incorrect configuration. | Configure device properly. |
| | Flashing red | Recoverable fault. | Cycle power to device. If condition persists, replace device. |
| | Red | Unrecoverable fault – may require device replacement. | Replace device. |
| | Flashing red/green | Device is in self-test mode. | None. |

Indicator Status for Modules

| | Status | Description | Recommended Action |
|----------------|--------------------|--|---|
| Network status | Off | Device is not online: - Device has not completed dup_MAC-id test. - Device not powered – check module status indicator. | Apply power to device, wait for dup_MAC-id test to complete, and correct as needed. |
| | Flashing green | Device is online but has no connections in the established state. | None – device is in idle or program mode. |
| | Green | Device is online and has connections in the established state. | None. |
| | Flashing red | One or more I/O connections are in timed-out state. | Check for I/O module failure, and correct as needed. |
| | Red | Critical link failure – failed communication device. Device detected error that prevents it from communicating on the network. | Verify that adapter and terminal bases are properly installed, and reinstall as needed. |
| | Flashing red/green | Communication faulted device – the device has detected a network access error and is in communication faulted state. Device has received and accepted an Identity Communication Faulted Request – long protocol message. | Verify that adapter is properly installed, and reinstall as needed. |
| I/O status | Off | Input is in the off state. | None. |
| | Yellow | Input is in the on state. | None. |

Specifications

POINT I/O 120V AC Input Module – 1734-IA2, 1734-IA4, Series C

| Attribute | Value |
|-----------------------------|--|
| Number of inputs | 1734-IA2 – 2 (1 group of 2) nonisolated, sinking 1734-IA4 – 4 (1 group of 4) nonisolated, sinking |
| On-state voltage range, min | 65V AC |
| On-state voltage range, nom | 120V AC |
| On-state voltage range, max | 132V AC |
| On-state current, min | 4.0 mA @ 65V AC, 60 Hz |
| On-state current, nom | 7.5 mA @ 120V AC, 60 Hz |
| On-state current, max | 8.5 mA @ 132V AC, 60 Hz |
| Off-state voltage, max | 43V AC |
| Off-state current, max | 2.7 mA @ 43V AC |
| Input impedance, nom | 10.6 k Ω |

General Specifications

| Attribute | Value |
|--|--|
| Terminal base screw torque | 0.8 Nm (7 lb-in.) |
| Module location | 1734-TB, 1734-TBS, 1734-TOP, or 1734-TOPS wiring base assembly |
| POINTBus current, max | 75 mA @ 5V DC |
| Power dissipation | 1734-IA2 – 0.35 W @ 132V AC 1734-IA4 – 0.50 W @ 132V AC |
| Thermal dissipation | 1734-IA2 – 1.19 BTU/hr @ 132V AC 1734-IA4 – 1.71 BTU/hr @ 132V AC |
| Isolation voltage | 240V (continuous), type tested @ 3250V DC for 60 s, field-side to system |
| External AC power supply voltage, nom | 120V AC @ 60 Hz |
| External AC power supply voltage range | 85...132V AC, 47...63 Hz |
| Dimensions (HxWxD), approx. | 56.0 x 12.0 x 75.5 mm (2.21 x 0.47 x 2.97 in.) |
| Wiring category ⁽¹⁾ | 1 – on signal ports |
| Wire size | Determined by installed terminal block |

General Specifications

| Attribute | Value |
|--|--|
| Weight, approx. | 30.9 g (1.09 oz) |
| North American temp code | T4A |
| IEC temp code | T4 |
| Enclosure type rating | None (open-style) |
| Delay time ⁽²⁾ Off to On and On to Off | 20 ms hardware filter plus 1...65 ms digital filter programmable in increments of 1 ms |
| Keyswitch position | 8 |

⁽¹⁾ Use this conductor category information for planning conductor routing as described in Industrial Automation Wiring and Grounding Guidelines, publication [1770-IN041](#).

⁽²⁾ Input off-to-on filter time is the time from a valid input signal to recognition by the module. Input on-to-off filter time is the time from the input signal dropping below the valid level to recognition by the module. Due to the randomness of the AC line-cycle measurement capture point and response time of the hardware filter, the maximum hardware delay is 20 ms plus the filter time.

Environmental Specifications

| Attribute | Value |
|---------------------------|---|
| Temperature, operating | IEC 60068-2-1 (Test Ad, Operating Cold), IEC 60068-2-2 (Test Bd, Operating Dry Heat), IEC 60068-2-14 (Test Nb, Operating Thermal Shock): -20...55 °C (-4...131 °F) |
| Temperature, nonoperating | IEC 60068-2-1 (Test Ab, Unpackaged Non-operating Cold), IEC 60068-2-2 (Test Bb, Unpackaged Non-operating Dry Heat), IEC 60068-2-14 (Test Na, Unpackaged Non-operating Thermal Shock): -40...85 °C (-40...185 °F) |
| Relative humidity | IEC 60068-2-30 (Test Db, Unpackaged Damp Heat): 5...95% non-condensing |
| Vibration | IEC 60068-2-6 (Test Fc, Operating): 5 g @ 10...500 Hz |
| Shock, operating | IEC 60068-2-27 (Test Ea, Unpackaged Shock): 30 g |
| Shock, nonoperating | IEC 60068-2-27 (Test Ea, Unpackaged Shock): 50 g |
| Emissions | CISPR 11: Group 1, Class A |

Environmental Specifications

| Attribute | Value |
|--------------------------|--|
| ESD Immunity | IEC 61000-4-2: 6 kV contact discharges 8 kV air discharges |
| Radiated RF Immunity | IEC 61000-4-3: 10V/m with 1 kHz sine-wave 80% AM from 80...2000 MHz 10V/m with 200 Hz 50% Pulse 100% AM @ 900 MHz 10V/m with 200 Hz 50% Pulse 100% AM @ 1890 MHz 3V/m with 1 kHz sine-wave 80% AM from 2000...2700 MHz |
| EFT/B Immunity | IEC 61000-4-4: ±4 kV @ 5 kHz on signal ports |
| Surge transient Immunity | IEC 61000-4-5: ±1 kV line-line (DM) and ±2 kV line-earth (CM) on signal ports |
| Conducted RF Immunity | IEC 61000-4-6: 10V rms with 1 kHz sine-wave 80%AM from 150 kHz...80 MHz |

Certifications

| Certification (when product is marked) ⁽¹⁾ | Value |
|---|---|
| c-UL-us | UL Listed Industrial Control Equipment, certified for US and Canada. See UL File E65584. UL Listed for Class I, Division 2 Group A,B,C,D Hazardous Locations, certified for U.S. and Canada. See UL File E194810. |
| CE | European Union 2014/30/EU EMC Directive, compliant with: EN 61326-1; Meas./Control/Lab., Industrial Requirements EN 61000-6-2; Industrial Immunity EN 61000-6-4; Industrial Emissions EN 61131-2; Programmable Controllers (Clause 8, Zone A & B). European Union 2014/35/EU LVD, compliant with: EN 61131-2; Programmable Controllers (Clause 11). |
| Ex | European Union 2014/34/EU ATEX Directive, compliant with: EN 60079-15:2010; Potentially Explosive Atmospheres, Protection "n" EN 60079-0:2012 + A11:2013; General Requirements II 3 G Ex nA IIC T4 Gc DEMKO 04 ATEX 0330347X When used at or below 120V AC |



Certifications

| Certification (when product is marked)⁽¹⁾ | Value |
|---|---|
| EAC | Russian Customs Union TR CU 020/2011 EMC Technical Regulation |
| RCM | Australian Radiocommunications Act, compliant with: AS/NZS CISPR 11; Industrial Emissions. |
| KC | Korean Registration of Broadcasting and Communications Equipment, compliant with: Article 58-2 of Radio Waves Act, Clause 3 |

⁽¹⁾ See the Product Certification link at <http://www.rockwellautomation.com/products/certification/> for Declaration of Conformity, Certificates, and other certification details.

Rockwell Automation Support

Rockwell Automation provides technical information on the Web to assist you in using its products. At <http://www.rockwellautomation.com/support/>, you can find technical manuals, a knowledge base of FAQs, technical and application notes, sample code and links to software service packs, and a MySupport feature that you can customize to make the best use of these tools.

For an additional level of technical phone support for installation, configuration and troubleshooting, we offer TechConnect support programs. For more information, contact your local distributor or Rockwell Automation representative, or visit <http://www.rockwellautomation.com/support/>.

Installation Assistance

If you experience a problem within the first 24 hours of installation, please review the information that's contained in this manual. You can also contact a special Customer Support number for initial help in getting your product up and running.

| | |
|---------------------------------|--|
| United States or Canada | 1.440.646.3434 |
| Outside United States or Canada | Use the Worldwide Locator at http://www.rockwellautomation.com/support/americas/phone_en.html , or contact your local Rockwell Automation representative. |

New Product Satisfaction Return

Rockwell Automation tests all of its products to ensure that they are fully operational when shipped from the manufacturing facility. However, if your product is not functioning and needs to be returned, follow these procedures.

| | |
|-----------------------|---|
| United States | Contact your distributor. You must provide a Customer Support case number (call the phone number above to obtain one) to your distributor to complete the return process. |
| Outside United States | Please contact your local Rockwell Automation representative for the return procedure. |

Documentation Feedback

Your comments will help us serve your documentation needs better. If you have any suggestions on how to improve this document, complete this form, publication [RA-DU002](#), available at <http://www.rockwellautomation.com/literature/>.

Rockwell Automation maintains current product environmental information on its website at <http://www.rockwellautomation.com/rockwellautomation/about-us/sustainability-ethics/product-environmental-compliance.page>.

Allen-Bradley, Rockwell Automation, POINT I/O, and TechConnect are trademarks of Rockwell Automation, Inc. Trademarks not belonging to Rockwell Automation are property of their respective companies.

Rockwell Otomasyon Ticaret A.Ş., Kar Plaza İş Merkezi E Blok Kat:6 34752 İçerenköy, İstanbul, Tel: +90 (216) 5698400
www.rockwellautomation.com

Power, Control and Information Solutions Headquarters

Americas: Rockwell Automation, 1201 South Second Street, Milwaukee, WI 53204-2496 USA, Tel: (1) 414.382.2000, Fax: (1) 414.382.4444
Europe/Middle East/Africa: Rockwell Automation, Voorlaan/Boulevard du Souverain 36, 1170 Brussels, Belgium, Tel: (32) 2 663 0600, Fax: (32) 2 663 0640
Asia Pacific: Rockwell Automation, Level 14, Core F, Cyberport 3, 100 Cyberport Road, Hong Kong, Tel: (852) 2887 4788, Fax: (852) 2508 1846

Publication 1734-IN010E-EN-E - August 2016

Supersedes Publication 1734-IN010D-EN-E - March 2013

Copyright © 2016 Rockwell Automation, Inc. All rights reserved.