



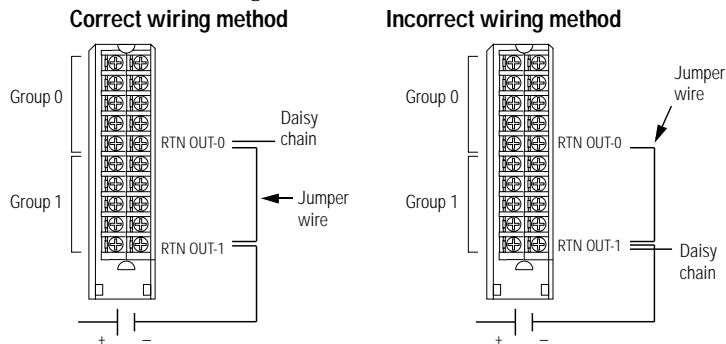
ControlLogix Digital I/O Modules

1756-Series

Use the information contained in this release note when wiring your ControlLogix digital I/O module. This information supersedes any information about daisy chain wiring in the installation instructions that came with your module.

General Wiring Guidelines

When wiring your I/O modules, do not physically connect more than two wires to a single RTB terminal. For example, when jumpering I/O groups together and daisy chain wiring to adjacent modules, follow the correct wiring method shown below.



IMPORTANT: This diagram is only intended for the daisy chain wiring portion of your module's wiring. For all other aspects (e.g. terminal designations), see the module's installation instructions.

Also, terminals with the same name are connected via module circuitry. When an RTB is removed, this connection is broken. We recommend daisy chain wiring only be connected to one of the terminals.

If you need to connect three or more wires to one termination point, you must connect the wires externally to the RTB terminal.

Reach us now at www.rockwellautomation.com

Wherever you need us, Rockwell Automation brings together leading brands in industrial automation including Allen-Bradley controls, Reliance Electric power transmission products, Dodge mechanical power transmission components, and Rockwell Software. Rockwell Automation's unique, flexible approach to helping customers achieve a competitive advantage is supported by thousands of authorized partners, distributors and system integrators around the world.

Americas Headquarters, 1201 South Second Street, Milwaukee, WI 53204, USA, Tel: (1) 414 382-2000, Fax: (1) 414 382-4444
European Headquarters SA/NV, avenue Hermann Delbroux, 46, 1160 Brussels, Belgium, Tel: (32) 2 663 06 00, Fax: (32) 2 663 06 40
Asia Pacific Headquarters, 27/F Citicorp Centre, 18 Whitfield Road, Causeway Bay, Hong Kong, Tel: (852) 2887 4788, Fax: (852) 2508 1946

