



## ControlNet Coax Tap

(Cat. Nos. 1786-TPR, -TPS, -TPYR, -TPYS)

### What's in This Document

Use this document as a guide when installing a ControlNet™ coax tap.

To:	See Page:
verify package contents	1
select where to mount the tap	4
mount the tap	4

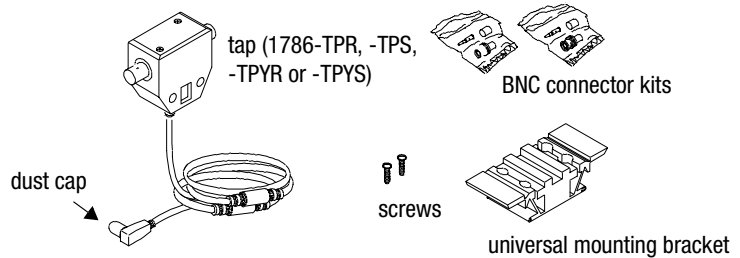
  

For reference on:	See Page:
mounting dimensions	7
specifications	6

**Important:** For information on planning and installing your ControlNet cable system, see the ControlNet Cable System Planning and Installation Manual, publication 1786-6.2.1.

### Verify Your Package Contents

Make sure you have these items before you discard any packing material.



If an item is missing or incorrect, contact your Allen-Bradley distributor or sales office. 41644

## CSA Statement

When the product is marked with the CSA Hazardous Location marking, it is suitable for use in Class I, Division 2 Hazardous Locations and nonhazardous locations only when installed with products bearing the Allen-Bradley ControlNet name or logo, and like certifications.

### CSA Hazardous Location Approval

CSA certifies products for general use as well as for use in hazardous locations. **Actual CSA certification is indicated by the product label** as shown below, and not by statements in any user documentation.

Example of the CSA certification product label:

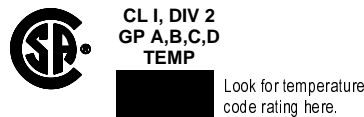


To comply with CSA certification for use in hazardous locations, the following information becomes a part of the product literature for this CSA-certified industrial control product.

- This equipment is suitable for use in Class I, Division 2, Groups A, B, C, D, or non-hazardous locations only.
- The products having the appropriate CSA markings (that is, Class I, Division 2, Groups A, B, C, D) are certified for use in other equipment where the suitability of combination (that is, application or use) is determined by the CSA or the local inspection office having jurisdiction.

**Important:** Due to the modular nature of a programmable control system, the product with the highest temperature rating determines the overall temperature code rating of a programmable control system in a Class I, Division 2, location. The temperature code rating is marked on the product label as shown.

Temperature code rating:



The following warnings apply to products having CSA certification for use in hazardous locations.



#### **ATTENTION:** Explosion hazard -

- Substitution of components may impair suitability for Class I, Division 2.
- Do not replace components unless power has been switched off or the area is known to be non-hazardous.
- Do not disconnect equipment unless power has been switched off or the area is known to be non-hazardous.
- Do not disconnect connectors unless power has been switched off or the area is known to be non-hazardous. Secure any user-supplied connectors that mate to external circuits on this equipment by using screws, sliding latches, threaded connectors, or other means such that any connection can withstand a 15 Newton (3.4 lb.) separating force applied for a minimum of one minute.

CSA logo is a registered trademark of the Canadian Standards Association.

## Complément d'information

Si ce produit porte le marquage CSA, il convient à une utilisation en environnements dangereux de Classe 1, Division 2 et non dangereux uniquement s'il est installé avec des produits portant le nom ou le logo ControlNet d'Allen-Bradley ou des certifications similaires.

### Approbation d'utilisation en environnements dangereux par la CSA

La CSA certifie des produits pour une utilisation générale aussi bien que pour une utilisation en environnements dangereux. **La certification CSA en vigueur est indiquée par l'étiquette produit** et non par des indications dans la documentation utilisateur.

Exemple d'étiquette de certification d'un produit par la CSA :

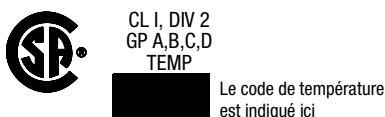


Pour satisfaire à la certification CSA en environnements dangereux, les informations suivantes font partie intégrante de la documentation des produits industriels de commande industrielle certifiés.

- Cet équipement ne convient qu'à une utilisation en environnements de Classe 1, Division 2, Groupes A, B, C, D, ou non dangereux.
- Les produits portant le marquage CSA approprié (c'est à dire, Classe 1, Division 2, Groupes A, B, C, D) sont certifiés pour une utilisation avec d'autres équipements, les combinaisons d'applications ou d'utilisations étant déterminées par la CSA ou le bureau local d'inspection qualifié.

**Important :** De par la nature modulaire des systèmes de commande programmables, le produit ayant le code de température le plus élevé détermine le code de température global du système dans un environnement de Classe 1, Division 2. Le code de température est indiqué sur l'étiquette produit.

Code de température :



Les avertissements suivants s'appliquent aux produits ayant la certification CSA pour une utilisation en environnements dangereux.



#### **DANGER :** Risque d'explosion

- La substitution de composants peut rendre cet équipement inadapté à une utilisation en environnements de Classe 1, Division 2.
- Couper le courant ou s'assurer que l'environnement est classé non dangereux avant de remplacer des composants.
- Couper le courant ou s'assurer que l'environnement est classé non dangereux avant de débrancher l'équipement.
- Couper le courant ou s'assurer que l'environnement est classé non dangereux avant de débrancher les connecteurs. Fixer tous les connecteurs fournis par l'utilisateur pour se brancher aux circuits externes de cet équipement à l'aide de vis, loquets coulissants, connecteurs filetés ou autres, de sorte que les connexions résistent à une force de séparation de 15 newtons (1,5 kg - 3,4 lb) appliquée pendant au moins une minute.

Le sigle CSA est la marque déposée de l'Association des Standards pour le Canada.

**Select Where to Mount Your Tap** Use these guidelines to select where to mount your taps.

- There is no spacing requirement between taps; you can install two adjacent taps using a barrel connector (1786-BNC).
- Make sure the mounting location is convenient for your cable routing.
- Make sure the mounting location allows your wiring to meet these requirements:
  - In conduit - installation of RG6 Quad Shield type coax cable conforms to this pull force and bend radius:

For this coax cable:	The pull strength should not exceed:	The bend radius should exceed:
PVC	42.75kg (95lbs)	76.2mm (3.0 in)
FEP	61.65kg (137lbs)	69.9mm (2.75 in)

- Not in conduit - installation of RG6 Quad Shield type coax cable conforms to this bend radius:

For this coax cable:	The bend radius should exceed:
PVC	38.1mm (1.5")
FEP	35.6mm (1.4")
Tap drop cable	25.4mm (1.0")

- Do not mount the tap in a position that routes the dropline cable over any ac power terminals on nearby modules.



**ATTENTION:** Do not allow any metal portions of the tap, such as the universal mounting bracket screws or connectors to contact any conductive material. This contact could cause noise on the network.

## Mount Your Taps

You can mount your ControlNet tap (T-tap or Y-tap):

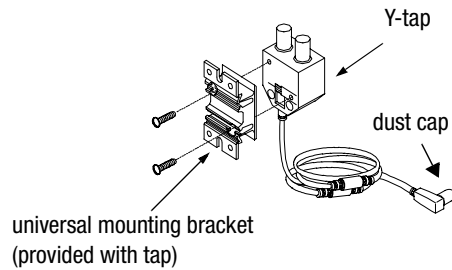
- to a universal mounting bracket, and then mount the tap and bracket as an assembly
- through the body holes in the tap using:
  - screws and flat washers
  - and a tie wrap.

Once you have mounted your taps, you can store or discard any unused universal mounting brackets.

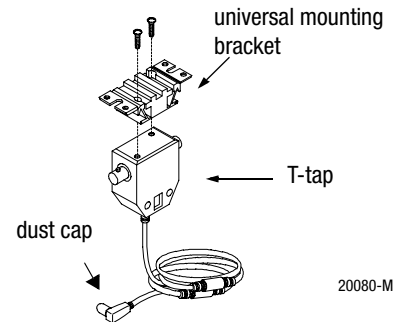
See page 7 for universal mounting bracket and tap mounting dimensions.

## Mounting a Tap Using a Universal Mounting Bracket

1. Align the universal mounting bracket with the mounting holes on the tap.
2. Using screws provided with the tap, attach the tap to the universal mounting bracket.



20084-M



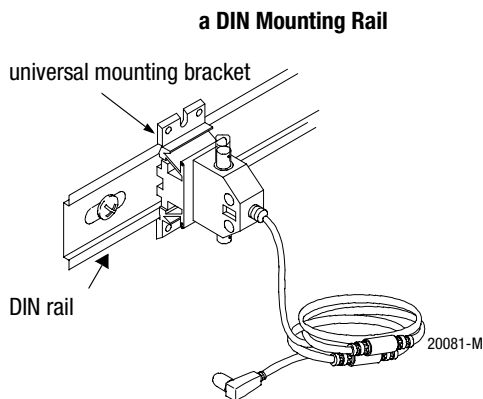
20080-M

Use only the screws that are packaged with the tap. They are the proper length and head style.



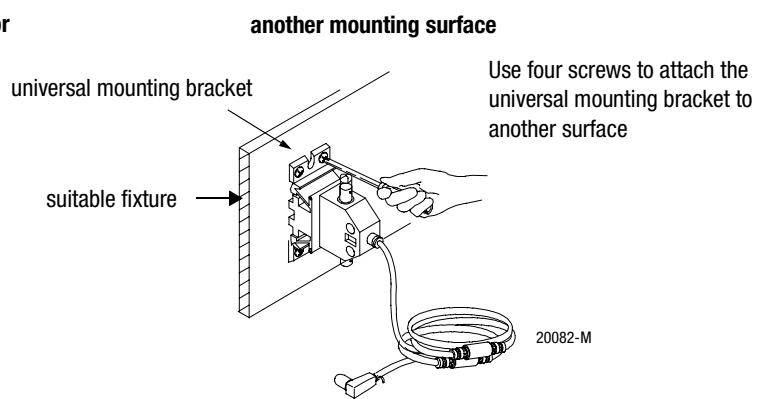
**ATTENTION:** Do not over tighten the screws. Over tightening the screws can damage the tap. The applied torque should be 0.2-0.4 N-m (1-2 ft.-lbs).

3. Mount the tap and bracket assembly to:



20081-M

or



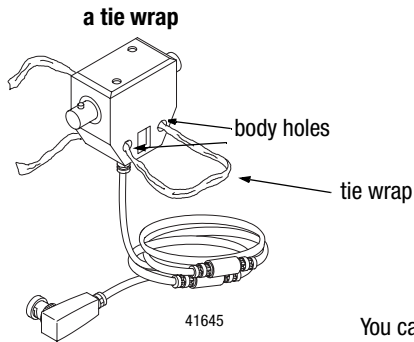
20082-M

Mount the universal bracket on specified Allen-Bradley mounting rails or DIN rails #3 style symmetrical (35 X 7.5mm)

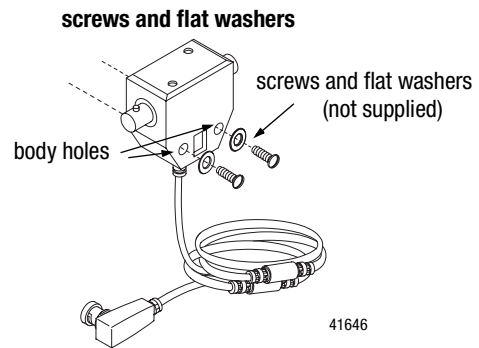
Type of rail	Cat. No.	Type of rail	Cat. No.
A-B rail	1492-N1	Din Rail #3	199-DR1
	1492-N22		1492-DR5
	1492-N44		1492-DR6
			1492-DR7

## Mounting a Tap Through Body Holes

Mount the tap to a suitable fixture using:



or



You can use a variety of screw types.



**ATTENTION:** Do not over tighten the screws. Over tightening the screws can damage the tap. The applied torque should be 0.2-0.4 N-m (1-2 ft.-lbs). Do not use screws larger than #8 in these holes.

**Important:** The suitable fixture can be conductive and/or grounded because of the electrical isolation provided by these body holes.

## Specifications

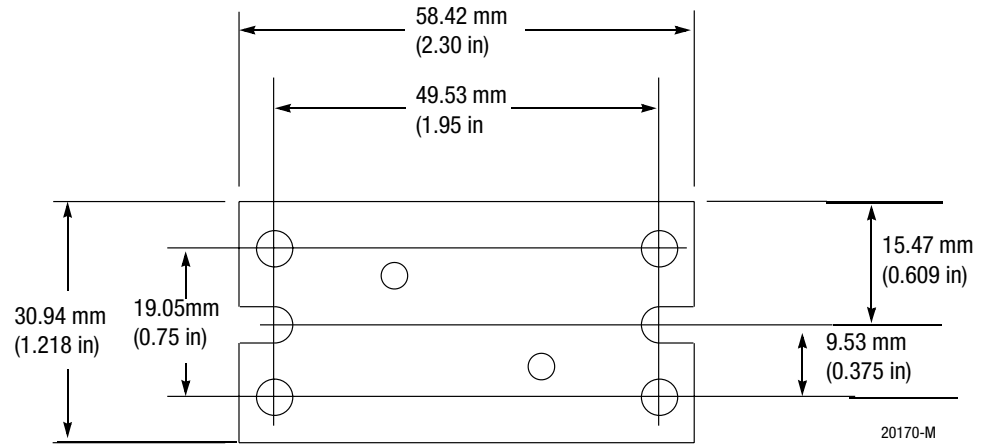
The following table lists the specifications for the ControlNet taps.

Operating temperature	-0 to 60°C (32 to 140°F)
Storage temperature	-40 to 85°C (-40 to 185°F)
Relative humidity	5 to 95% noncondensing

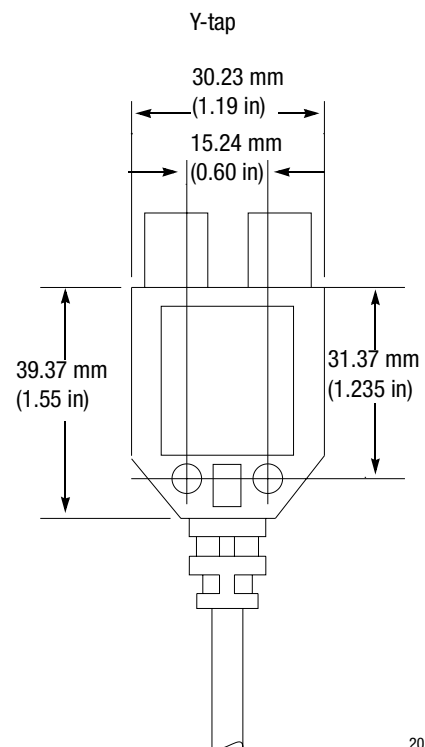
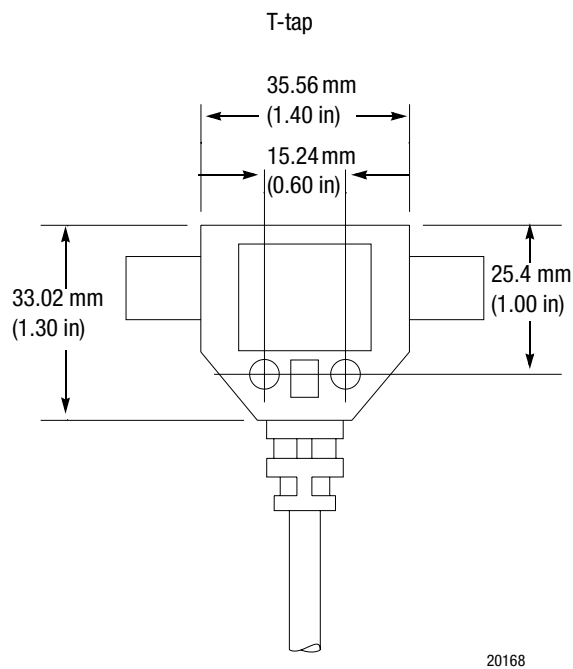
## Mounting Dimensions

Use these mounting dimensions to mount your taps and universal mounting brackets.

### Universal Mounting Bracket



### Taps



ControlNet™ is a trademark of ControlNet International, Ltd.

---

**Reach us now at [www.rockwellautomation.com](http://www.rockwellautomation.com)**

Wherever you need us, Rockwell Automation brings together leading brands in industrial automation including Allen-Bradley controls, Reliance Electric power transmission products, Dodge mechanical power transmission components, and Rockwell Software. Rockwell Automation's unique, flexible approach to helping customers achieve a competitive advantage is supported by thousands of authorized partners, distributors and system integrators around the world.



**Americas Headquarters**, 1201 South Second Street, Milwaukee, WI 53204, USA, Tel: (1) 414 382-2000, Fax: (1) 414 382-4444

**European Headquarters SA/NV**, avenue Herrmann Debroux, 46, 1160 Brussels, Belgium, Tel: (32) 2 663 06 00, Fax: (32) 2 663 06 40

**Asia Pacific Headquarters**, 27/F Citicorp Centre, 18 Whitfield Road, Causeway Bay, Hong Kong, Tel: (852) 2887 4788, Fax: (852) 2508 1846

**Publication 1786-5.7 - February 1999**

Supersedes Publication 1786-5.7 - December 1995

**Rockwell  
Automation**

PN 955135-79

Copyright 1999 of Rockwell International Corporation. Printed in the U.S.A.