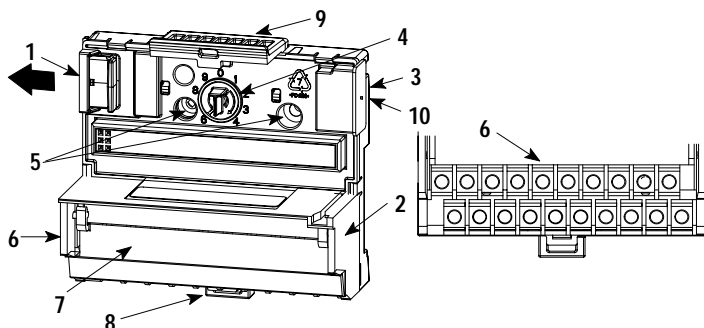




Installation Instructions

FLEX I/O Terminal Base (Cat. No. 1794-TBN)



Component Identification

1	Female flexbus connector
2	Terminal base unit (1794-TBN)
3	Male flexbus connector
4	Keyswitch – Set to the position required for the installed module
5	Mounting holes for panel mounting
6	Terminal strips for input/output, power and common connections
7	Terminal strip cover
8	Locking tab
9	Module locking latch
10	Cover plug for male flexbus connector

European Union Directive Compliance

If this product has the CE mark it is approved for installation within the European Union or EEA regions. It has been designed and tested to meet the following directives.

EMC Directive

This product is tested to meet Council Directive 89/336/EEC Electromagnetic Compatibility (EMC) and the following standards, in whole or in part, documented in a technical construction file:

- EN 50081-2
EMC – Generic Emission Standard, Part 2 – Industrial Environment
- EN 50082-2
EMC – Generic Immunity Standard, Part 2 – Industrial Environment

This product is intended for use in an industrial environment.

Low Voltage Directive

This product is tested to meet Council Directive 73/23/EEC Low Voltage, by applying the safety requirements of EN 61131-2 Programmable Controllers, Part 2 – Equipment Requirements and Tests.

For specific information required by EN 61131-2, see the appropriate sections in this publication, as well as the following Allen-Bradley publications:

- Industrial Automation Wiring and Grounding Guidelines for Noise Immunity, publication 1770-4.1
- Automation Systems Catalog, publication B111

This equipment is classified as open equipment and must be mounted in an enclosure during operation to provide safety protection.

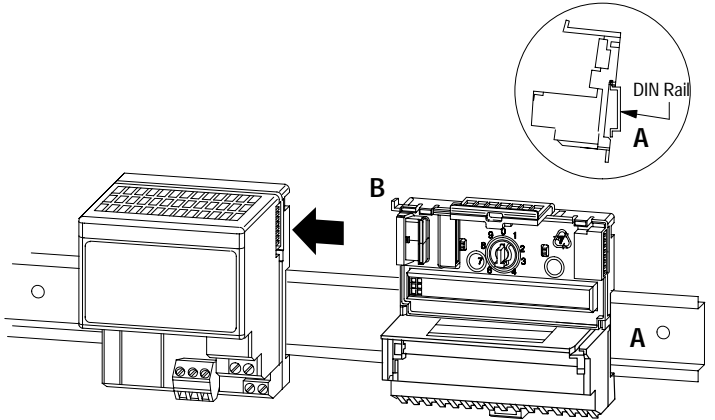
Mounting on a DIN Rail



ATTENTION: Do not remove or replace a terminal base unit when power is applied. Interruption of the flexbus can result in unintended operation or machine motion.

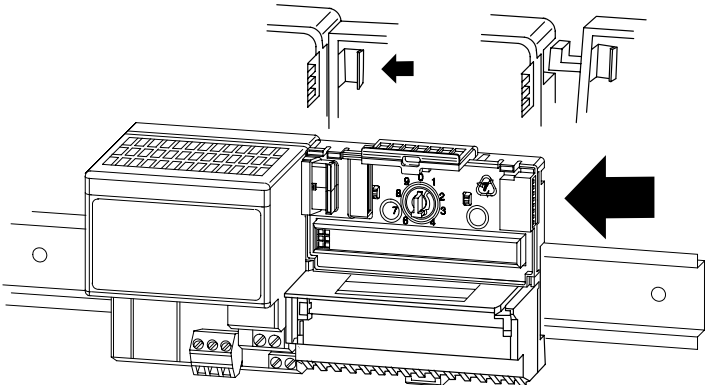
1. Remove the cover plug (if used) in the male connector of the unit to which you are connecting this terminal base unit.
2. Check to make sure that the 16 pins in the male connector on the adjacent device are straight and in line so that the mating female connector on this terminal base unit will mate correctly.

3. Make certain that the female flexbus connector **C** is **fully retracted** into the base unit.
4. Position the terminal base on the 35 x 7.5mm DIN rail **A** (A-B pt. no. 199-DR1).



Position the terminal base at a slight angle and hooked over the top of the DIN rail.

30246-M



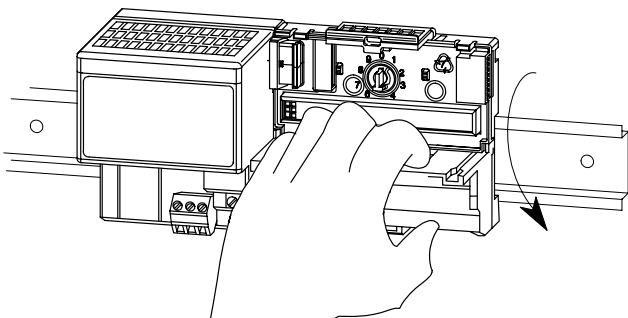
Slide the terminal base unit over tight against the adapter. Make sure that the hook on the terminal base unit slides under the edge of the adapter and the flexbus connector is fully retracted.

30247-M



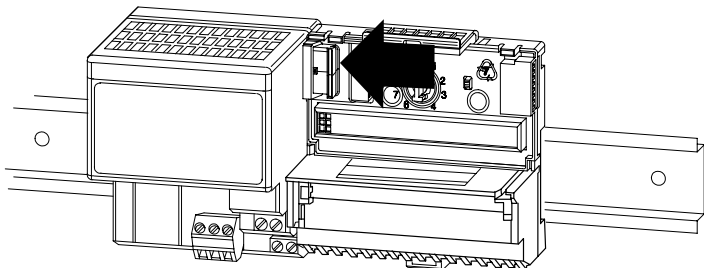
ATTENTION: Do not force the terminal base into the adjacent base/adapter. Forcing the units together can bend or break the hook and allow the units to separate and break communication over the backplane.

5. Rotate the terminal base onto the DIN rail with the top of the rail hooked under the lip on the rear of the terminal base. **Use caution to make sure that the female flexbus connector does not strike any of the pins in the mating male connector.**



Press down on the terminal base unit to lock the terminal base on the DIN rail. If the terminal base does not lock into place, use a screwdriver or similar device to open the locking tab, press down on the terminal base until flush with the DIN rail and release the locking tab to lock the base in place.

30252-M



Gently push the flexbus connector into the side of the adapter to complete the backplane connection.

30249-M

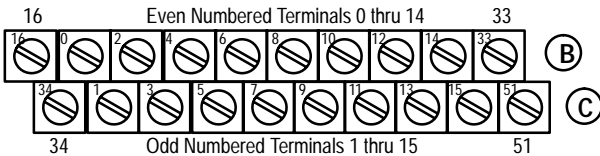
6. For specific wiring information, refer to the installation instructions for the module you are installing in this terminal base unit.
7. Repeat the above steps to install the next terminal base.

Wiring



ATTENTION: Total current draw through the terminal base unit is limited to 10A. Separate power connections may be necessary.

1. Snap open terminal strip cover.
2. Connect input or output wiring to even numbered terminals 0 through 14 on the (B) row, and odd numbered terminals 1 through 15 on the (C) row. For specific wiring information, refer to the installation instructions for the module you are installing in this terminal base unit.

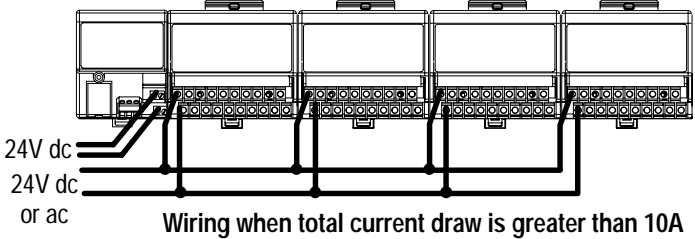
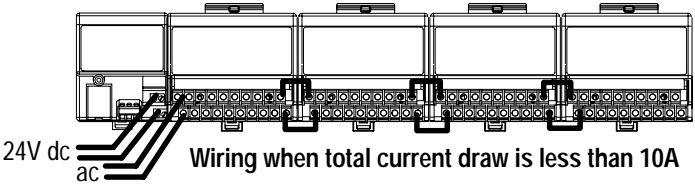
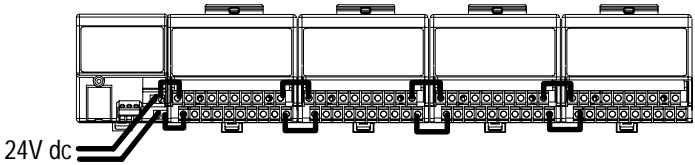


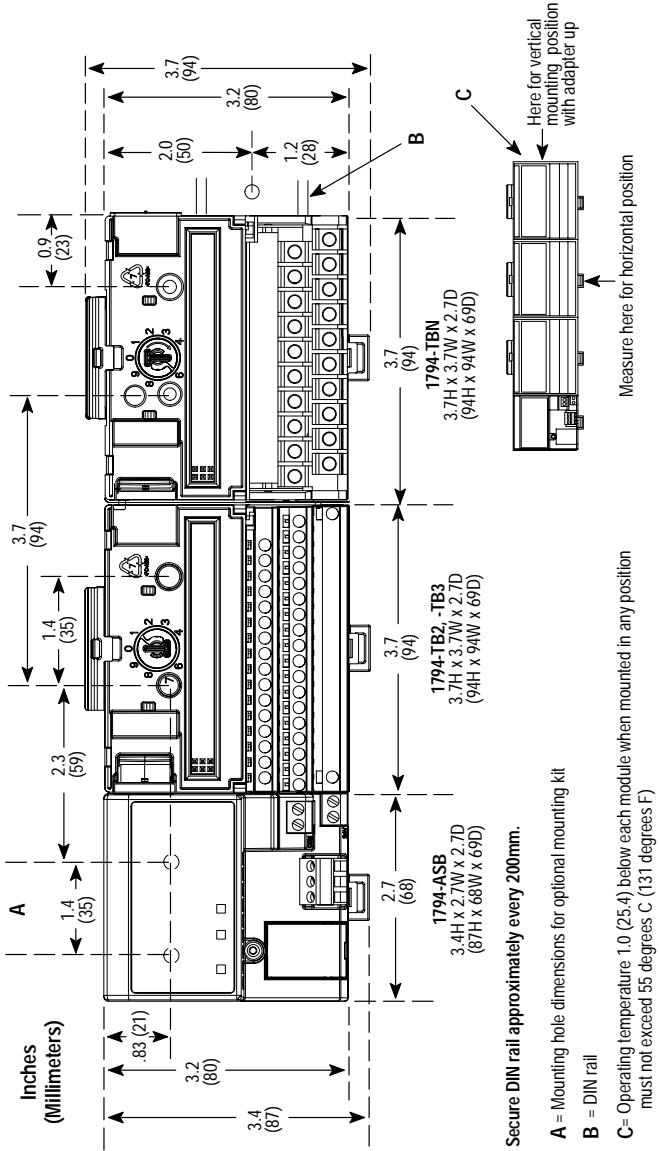
(B) = 16, 0, 2, 4, 6, 8, 10, 12, 14, 33

(C) = 34, 1, 3, 5, 7, 9, 11, 13, 15, 51

1794-TBN

3. Connect supply power to terminal 34 on row (C).
4. Connect supply common/return to terminal 16 on row (B).
5. If continuing supply voltage to the next terminal base, connect terminal C-51 to terminal C-34 on the next terminal base unit.
6. If continuing supply common/return to the next terminal base, connect terminal B-33 to terminal B-16 on the next terminal base unit.





1794-TBN Specifications

Number of Terminals	2 rows of 10 terminals
Terminal Screw Torque	7-9 inch-pounds
Dimensions (with module installed in base)	
Inches (Millimeters)	3.7H x 3.7W x 2.7D (94H x 94W x 69D)
Current Capacity	10A maximum
Voltage Rating	264V ac maximum
Isolation Voltage	100% tested at 2500V dc for 1s between user and system Channel-to-channel isolation determined by inserted module.
Environmental Conditions	
Operational Temperature	0 to 55°C (32 to 131°F)
Storage Temperature	-40 to 85°C (-40 to 185°F)
Relative Humidity	5 to 95% noncondensing
Shock	30 g peak acceleration, 11(±1)ms pulse width
Operating	50 g peak acceleration, 11(±1)ms pulse width
Non-operating	Tested 5 g @ 10-500Hz per IEC 68-2-6
Vibration	
Conductors	
Wire Size	12 gauge (4mm ²) stranded maximum 3/64 inch (1.2mm) insulation maximum
Category ¹	(Established by inserted module.)
Agency Certification (when product is marked)	<ul style="list-style-type: none"> • CSA certified • CSA Class I, Division 2 Groups A, B, C, D certified • UL listed • CE marked for all applicable directives

¹ You use this conductor category information for planning conductor routing as described in "Industrial Automation Wiring and Grounding Guidelines," publication 1770-4.1.



Allen-Bradley

With major offices worldwide.

World Headquarters, Allen-Bradley
1201 South Second Street
Milwaukee, WI 53204 USA
Tel: (1) 414 382-2000 Fax: (1) 414 382-4444

Publication 1794-5.16 – September 1998

Supersedes publication 1794-5.16 – December 1995

PN955123-87A

Copyright 1998 Allen-Bradley Company, Inc. Printed in USA