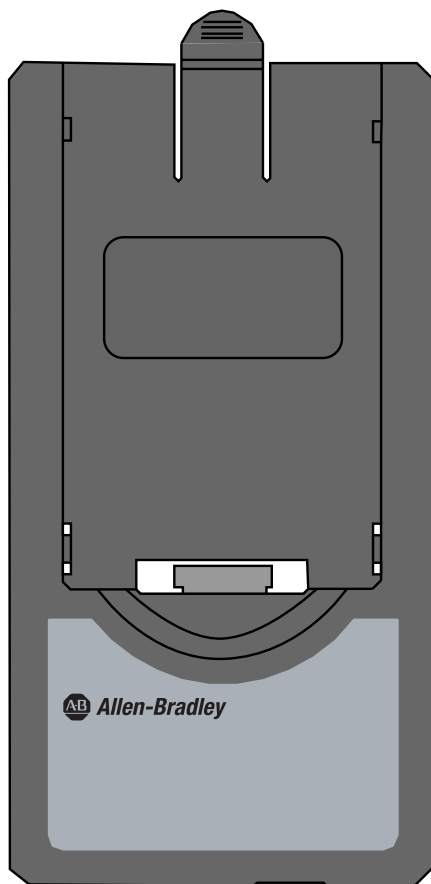




Installation Instructions
Installationsanleitung
Notice d'installation

PowerFlex 7-Class HIM Bezel (DPI)
Blende der Bedieneinheit (DPI) für PowerFlex der Serie 7
Boîtier HIM (DPI) PowerFlex 7-Class
Mascherina PowerFlex per modulo interfaccia operatore
PowerFlex – Classe 7 (DPI)
Visera (HIM) PowerFlex Classe 7 (DPI)
PowerFlex 7 - klasse HIM bezel (DPI)
Encaixe (DPI) para HIM do PowerFlex classe 7

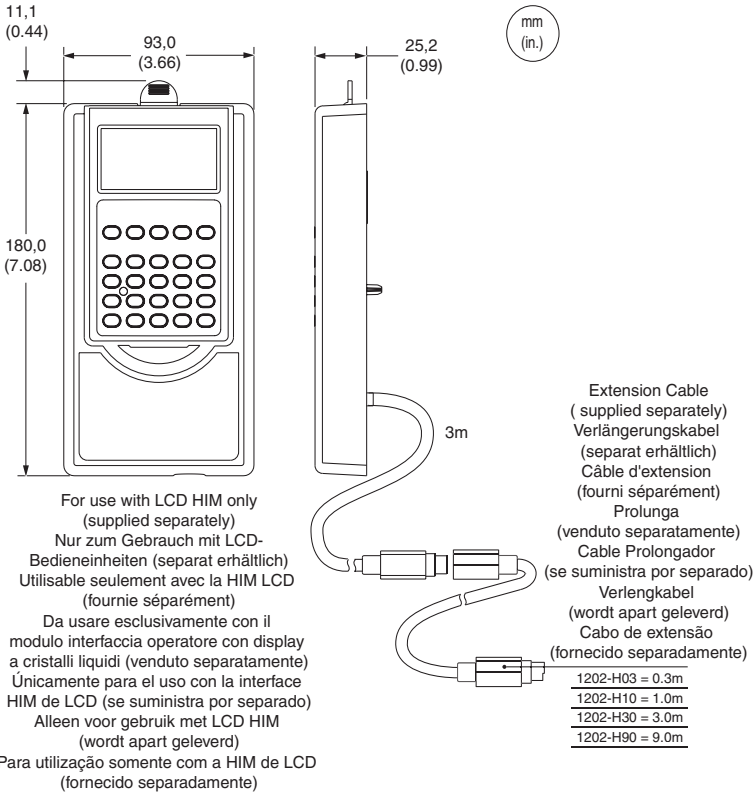
Installazione
Instalación
Instructies
Instalação

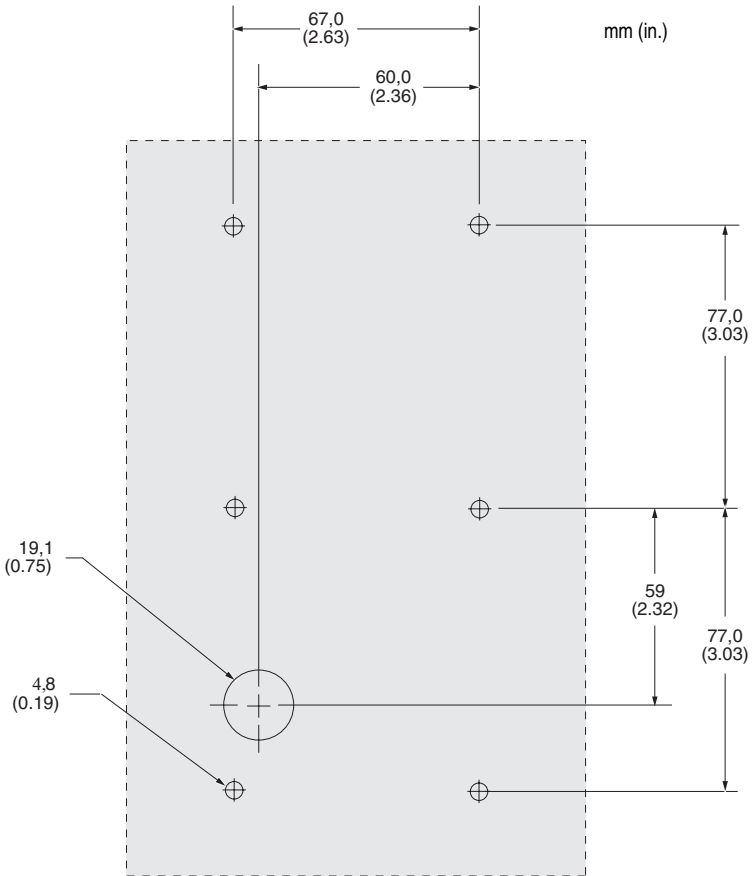


20-HIM-B1

IP20 (NEMA Type 1)

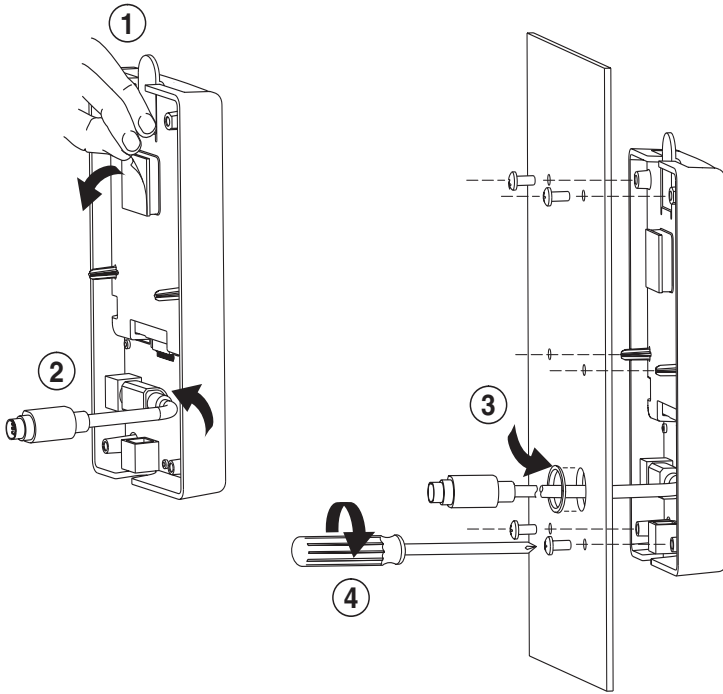
Dimensions
Abmessungen
Dimensions
Dimensioni
Dimensiones
Afmetingen
Dimensões





Front View
Frontansicht
Vue Frontale
Vista anteriore
Vista Frontal
Vooraanzicht
Vista anterior

**Mount
Montage
Montage
Montaggio
Montado
Montage
Montagem**



www.rockwellautomation.com

Power, Control and Information Solutions Headquarters

Americas: Rockwell Automation, 1201 South Second Street, Milwaukee, WI 53204-2496 USA, Tel: (1) 414.382.2000, Fax: (1) 414.382.4444
Europe/Middle East/Africa: Rockwell Automation, Vorstlaan/Boulevard du Souverain 36, 1170 Brussels, Belgium, Tel: (32) 2 663 0600, Fax: (32) 2 663 0640
Asia Pacific: Rockwell Automation, Level 14, Core F, Cyberport 3, 100 Cyberport Road, Hong Kong, Tel: (852) 2887 4788, Fax: (852) 2508 1846