



CENTERLINE[®] Motor Control Centers Install External Auxiliary Contact Adapter

Bulletin 2100 Series Q or Later Units and Bulletin 2400 Series D or Later Units (1.0 space factor or larger) with Cutler-Hammer/Westinghouse Circuit Breakers (HMCP150, FD, FDB, FDC, HFD, FDB-LFD, HMCP250, JD, HJD, JDC, HMCP400, KD, HKD, and KDC)

Catalog Number 2100H-N22

Instructions

Application

Use these instructions to install an external auxiliary contact adapter in Bulletin 2100 Series Q or later units and Bulletin 2400 Series D or later units (1.0 space factor or larger) with Cutler-Hammer/Westinghouse Circuit Breakers (HMCP150, FD, FDB, FDC, HFD, FDB-LFD, HMCP250, JD, HJD, JDC, HMCP400, KD, HKD, and KDC).

This auxiliary contact kit (2100H-N22) is to be used with the following auxiliary contacts: Catalog numbers 2100H-N19 or 2100H-N20.



ATTENTION: De-energize all power sources to the motor control center before installing auxiliary contact adapter. Failure to de-energize all power sources can result in severe injury or death.

Recommended Tools

Screwdriver, 5/16" wrench or socket, torque wrench

Installation

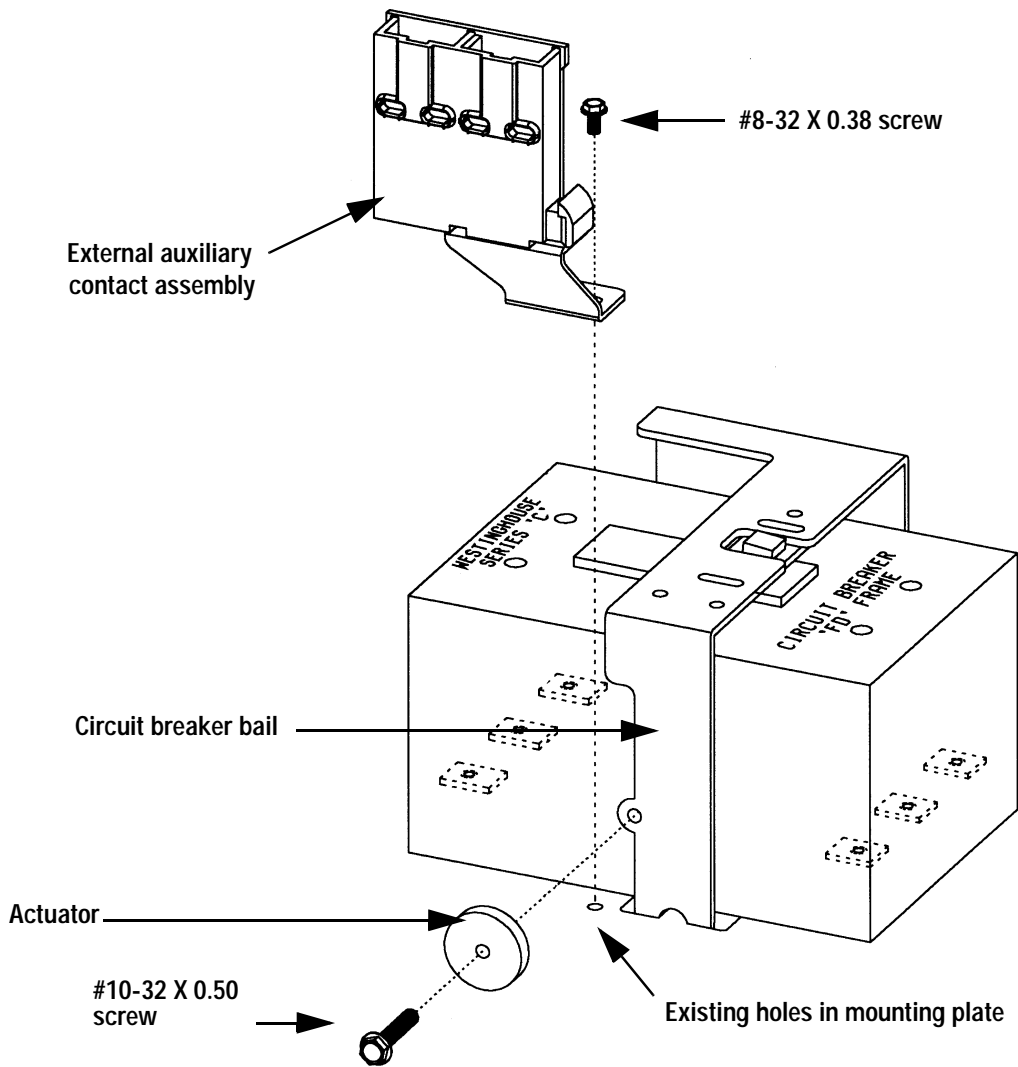
Refer to Figure 1 and use the following steps to install external auxiliary contact adapter:

1. Make sure that all power has been disconnected.
2. Referring to Figure 1, verify parts list.
3. Attach the external auxiliary contact assembly to the mounting plate using one #8-32 x 0.38 inch thread-rolling screw. Torque to 20 lb-in (2.2 N-m). Refer to Figure 1.
4. Attach actuator to circuit breaker bail using #10-32 x 0.50 inch thread-rolling screw. Torque to 32 lb-in (3.6 N-m).
5. Install auxiliary contacts (Catalog Number 2100H-N19 or 2100H-N20) according to installation instructions in Publication 2100-5.31.
6. Check continuity to ensure proper operation of auxiliary contacts.

Figure 1

Parts List:

- External auxiliary contact assembly
- (1) #8-32 X 0.38 screw
- (1) #10-32 X 0.50 screw
- (1) actuator



Reach us now at www.rockwellautomation.com

Wherever you need us, Rockwell Automation brings together leading brands in industrial automation including Allen-Bradley controls, Reliance Electric power transmission products, Dodge mechanical power transmission components, and Rockwell Software. Rockwell Automation's unique, flexible approach to helping customers achieve a competitive advantage is supported by thousands of authorized partners, distributors and system integrators around the world.

Americas Headquarters, 1201 South Second Street, Milwaukee, WI 53204, USA, Tel: (1) 414 382-2000, Fax: (1) 414 382-4444
European Headquarters SA/NV, avenue Herrmann Debroux, 46, 1160 Brussels, Belgium, Tel: (32) 2 663 06 00, Fax: (32) 2 663 06 40
Asia Pacific Headquarters, 27/F Citicorp Centre, 18 Whitfield Road, Causeway Bay, Hong Kong, Tel: (852) 2887 4788, Fax: (852) 2508 1846



**Rockwell
Automation**