



CENTERLINE[®] Motor Control Centers

Install Door Ground Strap on Bulletin 2100/2400 Unit Door

Instructions

Application

Use these instructions to install a door ground strap (2100H-GD1) on all Bulletin 2100 motor control center unit doors.



ATTENTION: De-energize all power sources to the motor control center before installing door ground strap. Failure to de-energize all power sources can result in severe injury or death.

Recommended Tools

Adjustable wrench or 3/8" socket
Drill
.203 bit

Installation

Refer to Figure 1 and use the following steps to install door ground strap:

1. Make sure that all power has been disconnected.
2. Verify parts list (see Figure 1).
3. Modify door according to dimensions in Figure 2.
 - A. If door mounted equipment interferes with the location of the hole modification, hole can be moved slightly.
 - B. If door mounted equipment interferes with mounting the ground strap onto the bottom hinge, the ground strap can be mounted on the next available hinge.
 - C. If door mounted equipment does not allow the ground strap to fit between the hole and the hinge, the hole modification location may be moved significantly so that the ground strap can reach a door hinge.
4. To install door ground strap:
 - A. Remove bolt on the hinge being used.
 - B. Install ground strap onto hinge as shown in Figure 1. Torque 1/4-20 hinge bolt to 65 lb-in (7.1 N-m).
 - C. Install ground strap to door as shown in Figure 1. Torque #10-32 carriage bolt to 40 lb-in (4.3 N-m).

Figure 1
Door ground strap assembly

Parts List

- (1) ground strap, lugged on both ends
- (1) #10-32 carriage bolt
- (1) flat washer
- (1) #10-32 nut and lock washer

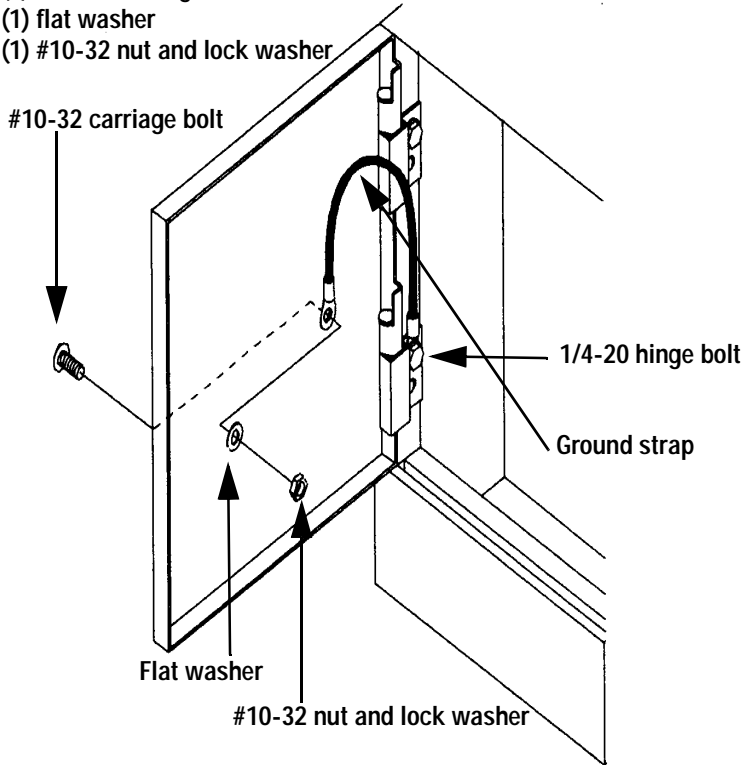
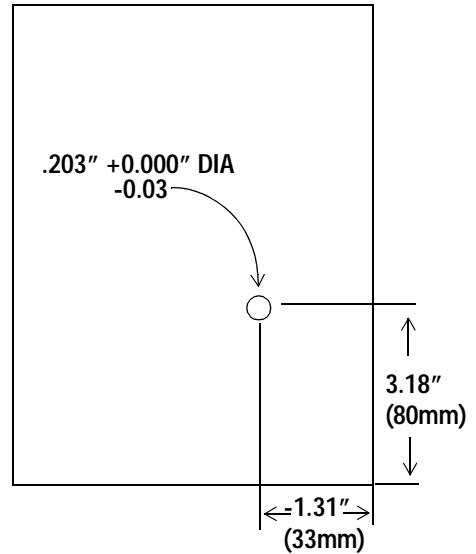


Figure 2
Door modification (rear view of door)



Reach us now at www.rockwellautomation.com

Wherever you need us, Rockwell Automation brings together leading brands in industrial automation including Allen-Bradley controls, Reliance Electric power transmission products, Dodge mechanical power transmission components, and Rockwell Software. Rockwell Automation's unique, flexible approach to helping customers achieve a competitive advantage is supported by thousands of authorized partners, distributors and system integrators around the world.

Americas Headquarters, 1201 South Second Street, Milwaukee, WI 53204, USA, Tel: (1) 414 382-2000, Fax: (1) 414 382-4444
European Headquarters SA/NV, avenue Herrmann Debroux, 46, 1160 Brussels, Belgium, Tel: (32) 2 663 06 00, Fax: (32) 2 663 06 40
Asia Pacific Headquarters, 27/F Citicorp Centre, 18 Whitfield Road, Causeway Bay, Hong Kong, Tel: (852) 2887 4788, Fax: (852) 2508 1846

Publication 2100-5.37 - July 1999

Supersedes Publication 2100-5.37 - May 1996



Rockwell Automation