



CENTERLINE® MOTOR CONTROL CENTERS JOINING & SPLICING STANDARD SECTIONS TO A 2000A MAIN BREAKER SECTION

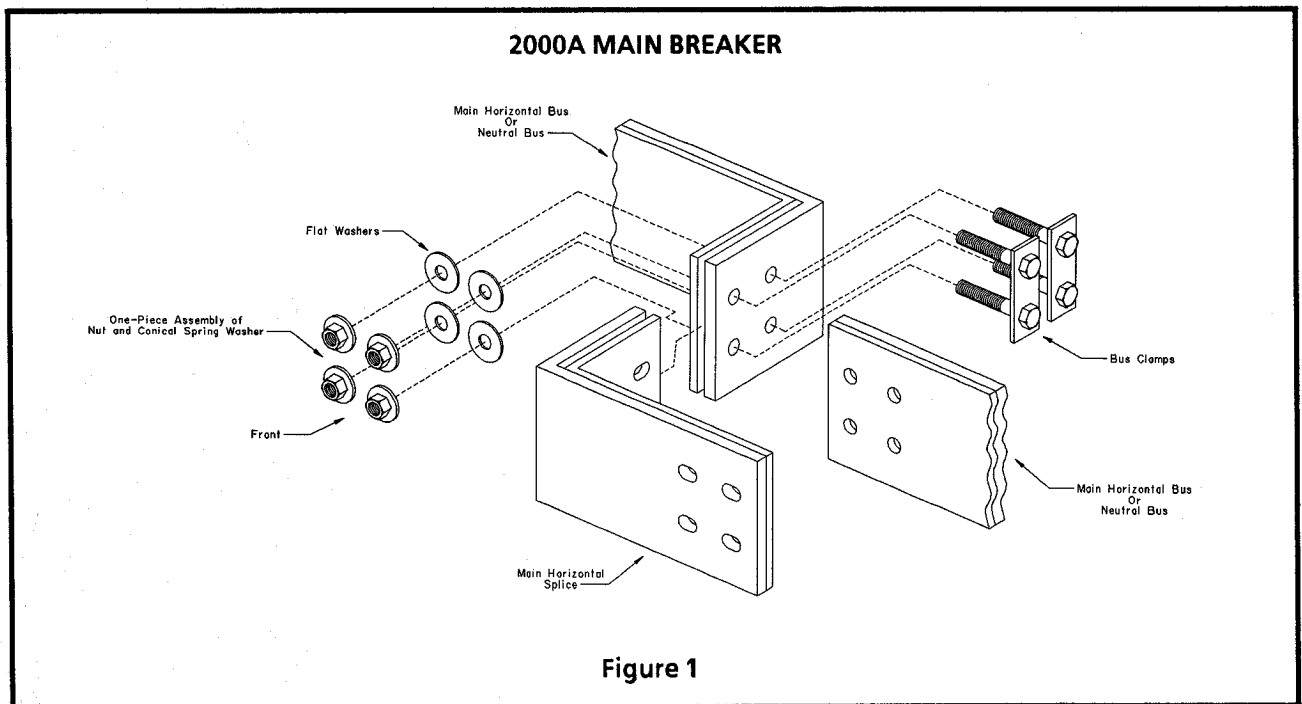
JOINING SECTIONS: Refer to Publication 2100-5.1.

SPLICING CENTERS: Refer to Publication 2100-5.1.

**RECOMMENDED
SPLICING PROCEDURE:** Refer to Publication 2100-5.1 for steps 1 and 2 if splicing the
2000A Main Breaker Section to a right hand center.

If splicing the 2000A Main Breaker Section to a left hand center and additional access to the splice is desirable, loosen the fastening screws and remove the bus access plate located in the vertical wireway of the center to the left of the splice. The horizontal bus is now exposed to the left and right of the splice for the added convenience. Assemble splice bars to the buswork of the vertical sections per Figure 1.

Refer to Publication 2100-5.1 for steps 4 and 5.



40051-348-03 (A)

ALLEN-BRADLEY
A ROCKWELL INTERNATIONAL COMPANY



Packaged Control Products Division
Milwaukee, Wisconsin 53204 U.S.A.

Publication 2100-5.6 - APRIL, 1986