



CENTERLINE[®] Motor Control Centers Installing or Removing External Auxiliary Contacts

Bulletin 2100 Series Q Units, Bulletin 2400 Series D Units
(1.0 Space Factor or Larger) and Bulletin 1494F Enclosed NEMA
Disconnect Switch

Catalog Numbers: 2100H-N19 or 1495-N30 and 2100H-N20 or
1495-N31

Instructions

Application

Use these instructions to install or remove external auxiliary contacts in Bulletin 2100 Series Q units, Bulletin 2400 Series D units (1.0 space factor or larger) and Bulletin 1494F enclosed NEMA disconnect switches.

These auxiliary contact kits (2100H-N19 or 1495-N30 and 2100H-N20 or 1495-N31) are to be used with the following auxiliary contact adapter kits: Catalog numbers 2100H-N21 or 1495-N32, 2100H-N22, 2100H-N23, and 2100H-N24



ATTENTION: De-energize all power sources before installing or removing external auxiliary contacts. Failure to de-energize all power sources can result in severe injury or death.

Recommended Tools

Needle nose pliers, screw driver

Installation

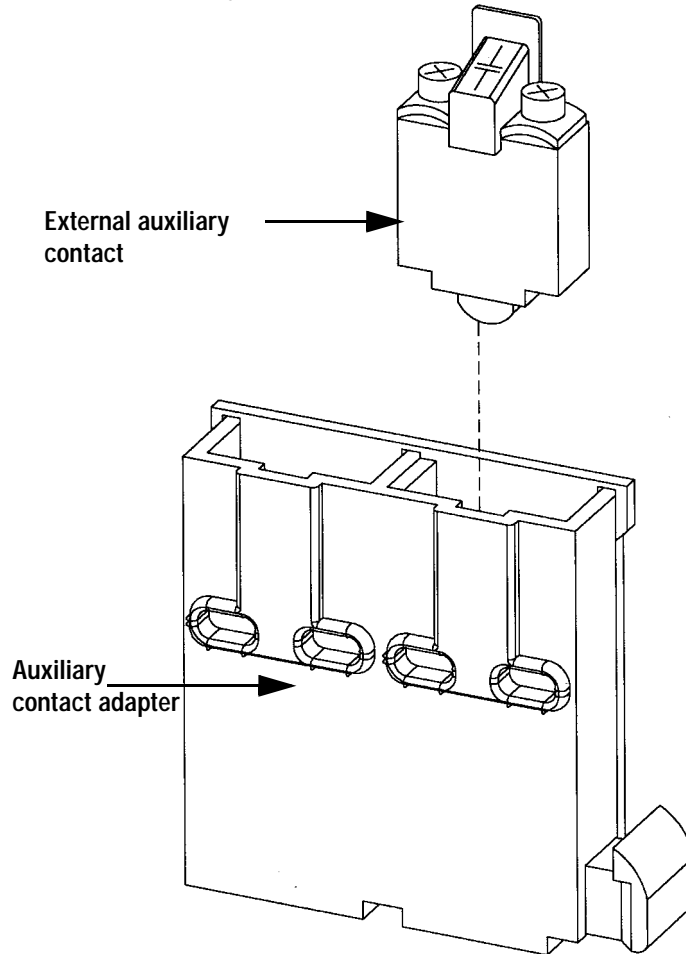
Refer to Figure 1 and use the following steps to install external auxiliary contacts:

1. Make sure that all power has been disconnected.
2. Refer to Figure 1 for installation of auxiliary contacts and verify parts list.
3. To install: insert auxiliary contacts into adapter until locking tab engages into retaining notch. You will hear a click when contact is fully engaged. (Figure 1 shows correct placement of auxiliary contact into adapter kits)
4. Check continuity to ensure proper operation of auxiliary contacts.

Figure 1

Parts List

External auxiliary contact



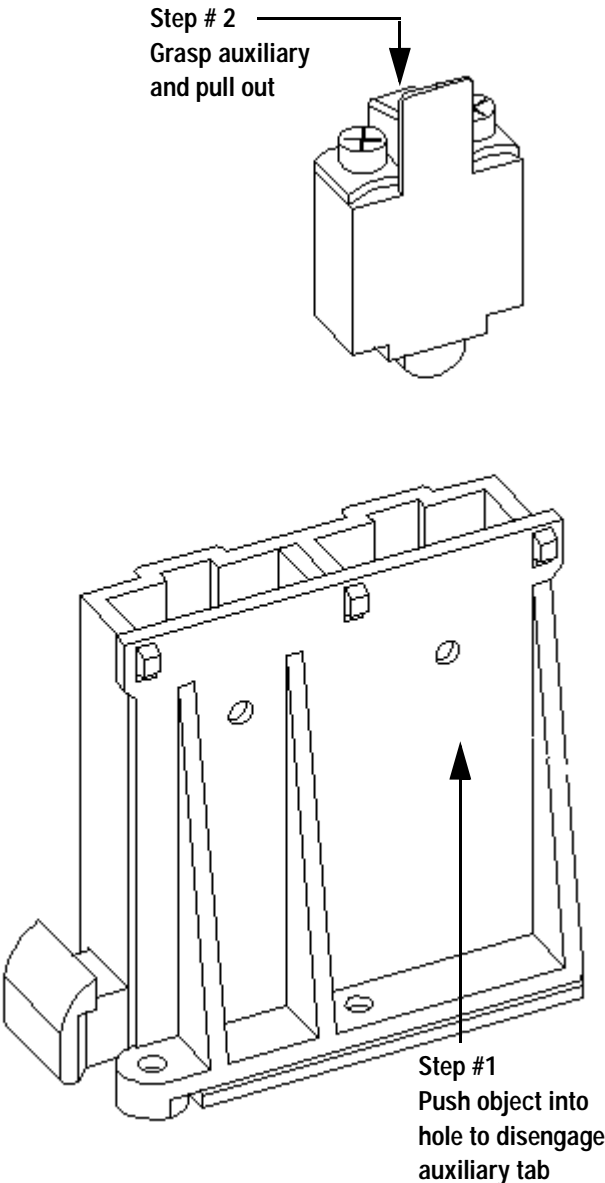
ATTENTION: De-energize all power sources before installing or removing external auxiliary contacts. Failure to de-energize all power sources can result in severe injury or death.

Removal

Refer to Figure 2 and use the following steps to remove external auxiliary contacts:

1. Make sure that all power has been disconnected.
2. Unwire auxiliary contact.
3. Push object into hole to disengage auxiliary contact tab.
4. Grasp auxiliary contact with needle nose pliers and pull out.

Figure 2



Reach us now at www.rockwellautomation.com

Wherever you need us, Rockwell Automation brings together leading brands in industrial automation including Allen-Bradley controls, Reliance Electric power transmission products, Dodge mechanical power transmission components, and Rockwell Software. Rockwell Automation's unique, flexible approach to helping customers achieve a competitive advantage is supported by thousands of authorized partners, distributors and system integrators around the world.



Americas Headquarters, 1201 South Second Street, Milwaukee, WI 53204, USA, Tel: (1) 414 382-2000, Fax: (1) 414 382-4444

European Headquarters SA/NV, avenue Herrmann Debroux, 46, 1160 Brussels, Belgium, Tel: (32) 2 663 06 00, Fax: (32) 2 663 06 40

Asia Pacific Headquarters, 27/F Citicorp Centre, 18 Whitfield Road, Causeway Bay, Hong Kong, Tel: (852) 2887 4788, Fax: (852) 2508 1846

**Rockwell
Automation**

Publication 2100-IN004A-US-P - September 1999

Supersedes Publication 2100-5.31 - May 1997

Copyright 1999 of Rockwell International Corporation. Printed in the U.S.A.