



CENTERLINE[®] Motor Control Centers Install Driphood on Bulletin 2100 Vertical Sections

Catalog Numbers: 2100H-DH10, 2100H-DH20, 2100H-DH25,
2100H-DH30, 2100H-DH35, 2100H-DH40

Instructions

Application

Use these instructions to install a driphood on front mounted and back-to-back Bulletin 2100 NEMA Type 1, Type 1 with gasket, or Type 12 motor control center sections (except corner sections)



ATTENTION: De-energize all power sources to the motor control center before installing driphood. Failure to de-energize all power sources can result in severe injury or death.

Recommended Tools

Adjustable wrench or 5/16" socket

Torque wrench

Installation

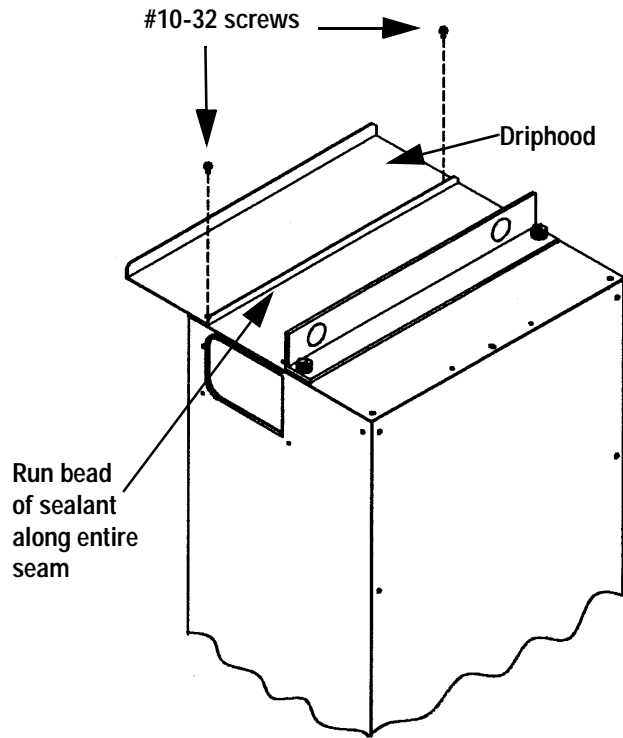
Refer to Figure 1 and use the following steps to install driphood:

1. Make sure that all power has been disconnected.
2. Referring to Figure 1, verify parts list.
3. Remove two #10-32 screws at front of section. These are the screws that hold down the section top plate.
4. Place driphood on top of section, making sure to line up the holes in the driphood with the holes in the top plate.
5. Replace the two #10-32 screws that were removed in Step 3. Torque to 32 lb-in (3.6 N-m).
6. Run a bead of sealant along entire seam of driphood and section top plate (see Figure 1).

Figure 1

Parts List:

- Driphood
- Tube of sealant



Reach us now at www.rockwellautomation.com

Wherever you need us, Rockwell Automation brings together leading brands in industrial automation including Allen-Bradley controls, Reliance Electric power transmission products, Dodge mechanical power transmission components, and Rockwell Software. Rockwell Automation's unique, flexible approach to helping customers achieve a competitive advantage is supported by thousands of authorized partners, distributors and system integrators around the world.



Americas Headquarters, 1201 South Second Street, Milwaukee, WI 53204, USA, Tel: (1) 414 382-2000, Fax: (1) 414 382-4444
European Headquarters SA/NV, avenue Herrmann Debroux, 46, 1160 Brussels, Belgium, Tel: (32) 2 663 06 00, Fax: (32) 2 663 06 40
Asia Pacific Headquarters, 27/F Citicorp Centre, 18 Whitfield Road, Causeway Bay, Hong Kong, Tel: (852) 2887 4788, Fax: (852) 2508 1846

**Rockwell
Automation**