



# CENTERLINE<sup>®</sup> Motor Control Centers Install External Auxiliary Contact Adapter

Bulletin 2100 Series Q Units or Later and Bulletin 2400 Series D or Later Units (dual units) with Cutler-Hammer Westinghouse Circuit Breakers (HMCP150, FD, FDB, HFD, FDC, and FDB-LFD)

Catalog Number 2100H-N25A (1 contact), 2100H-N25B (2 contacts)

## Instructions

### Application

Use these instructions to install an external auxiliary contact adapter in Bulletin 2100 Series Q or later units and Bulletin 2400 Series D or later units (dual units) with Cutler-Hammer Westinghouse Circuit Breakers (HMCP150, FD, FDB, HFD, FDC, and FDB-LFD).



**ATTENTION:** De-energize all power sources to the motor control center before installing auxiliary contact adapter. Failure to de-energize all power sources can result in severe injury or death.

---

### Recommended Tools

5/16" wrench or socket

torque wrench

### Installation

Refer to Figure 1 and 2, and use the following steps to install external auxiliary contact adapter:

1. Make sure that all power has been disconnected.
2. Referring to Figure 1, verify parts list.
3. Remove unit from structure.
4. Refer to Figure 1 for correct assembly.
5. For the right hand unit, attach the external auxiliary contact assembly to the unit partition using two #10-32 thread-rolling screws from right to left. Torque to 32 lb-in (3.6 N-m).
6. For left hand unit, attach the auxiliary contact assembly to the unit partition using two #10-32 thread-rolling screws from left to right. Torque to 32 lb-in (3.6 N-m).
7. Refer to Figure 2 for correct assembly of actuator. Attach actuator to bail using two #10-32 thread-rolling screws. Torque to 32 lb-in (3.6 N-m).
8. Check continuity to ensure proper operation of auxiliary contacts.

Figure 1 Left and Right Hand Unit (2100H-N25B)

**Parts List**

- (4) #10-32 screws
- (1) External auxiliary contact assemblies
- (1) Actuators

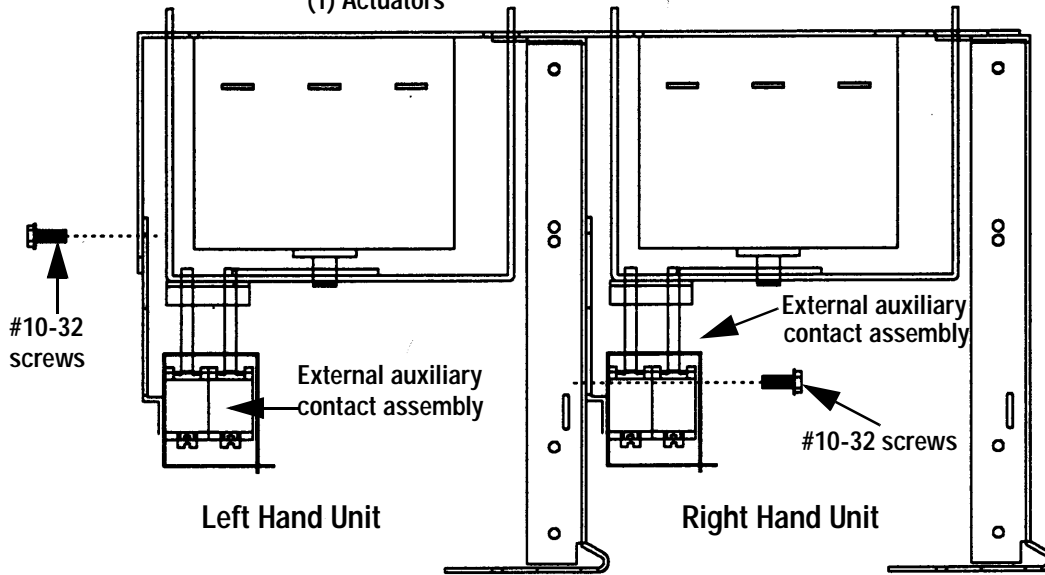
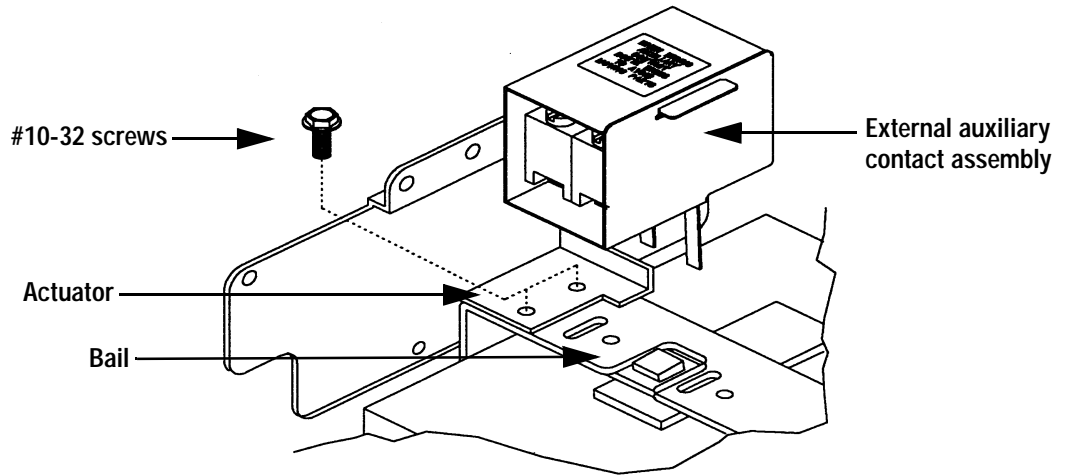


Figure 2 Typical Arrangement - Both Positions (top view, top plate removed)



**Reach us now at [www.rockwellautomation.com](http://www.rockwellautomation.com)**

Wherever you need us, Rockwell Automation brings together leading brands in industrial automation including Allen-Bradley controls, Reliance Electric power transmission products, Dodge mechanical power transmission components, and Rockwell Software. Rockwell Automation's unique, flexible approach to helping customers achieve a competitive advantage is supported by thousands of authorized partners, distributors and system integrators around the world.



**Americas Headquarters**, 1201 South Second Street, Milwaukee, WI 53204, USA, Tel: (1) 414 382-2000, Fax: (1) 414 382-4444  
**European Headquarters SA/NV**, avenue Herrmann Debroux, 46, 1160 Brussels, Belgium, Tel: (32) 2 663 06 00, Fax: (32) 2 663 06 40  
**Asia Pacific Headquarters**, 27/F Citicorp Centre, 18 Whitfield Road, Causeway Bay, Hong Kong, Tel: (852) 2887 4788, Fax: (852) 2508 1846

**Rockwell Automation**

Publication 2100-IN006A-US-P - September 1999

Supersedes Publication 2100-5.36 - May 1996

Copyright 1999 of Rockwell International Corporation. Printed in the U.S.A.