



CENTERLINE® Motor Control Centers

Installing a Pull-Box on a Bulletin 2100 Vertical Section

Instructions

Application

Use these instructions to install a pull-box on all front-mounted and back-to-back Bulletin 2100 motor control center sections.

Recommended Tools

Adjustable wrench or 5/16" socket



ATTENTION: Disconnect all power sources to the motor control center, before installing the pull-box. Contact with energized parts can cause injury and death.

Installing the Pull Box

Front-mounted sections: Use Figures 1 and 2 to assemble parts.
Back-to-Back sections: Use Figures 3 and 4 to assemble parts.
Front-mounted, 40" W sections: Use Figure 5 to assemble parts.

Notes:

- ✓ All screws in this kit are thread cutting, so holes do not need to be tapped.
- ✓ Torque all screws to 32 Lb-in. (3.6 N-m).
- ✓ Use the longer screws to attach the pull-box frame and bottom plate to the section.

Figure 1
Pull-Box Kit, Front-Mounted Sections

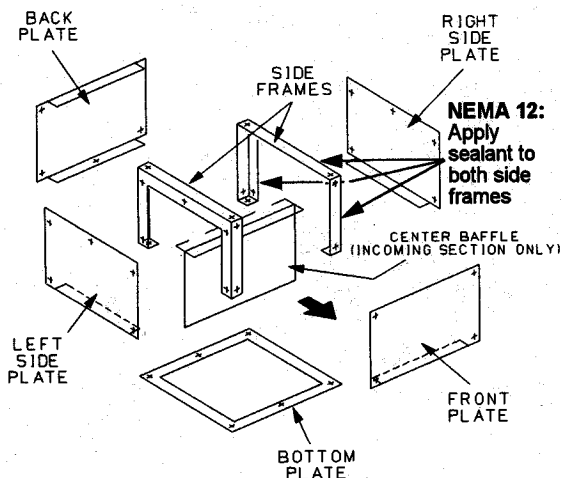


Figure 2
Assembling the parts

NEMA 12: Apply sealant to both side frames as indicated. Follow application directions on the tube. Apply a 1/8" continuous bead.

Important: Install center baffle as shown for 15" deep pull-box. For 20" deep, reverse the center baffle so the flange is to the rear.

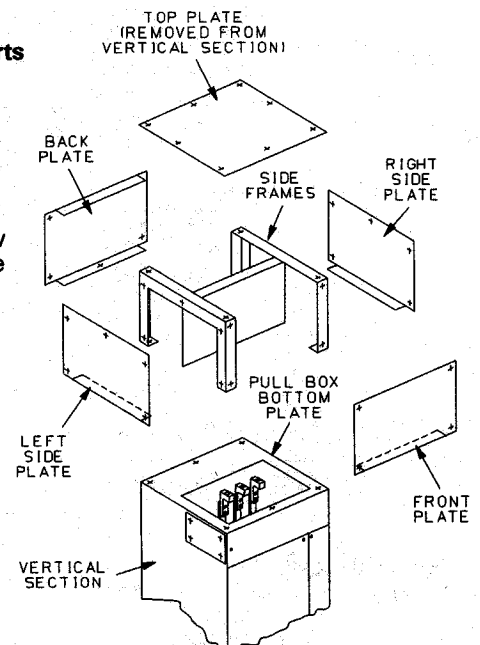
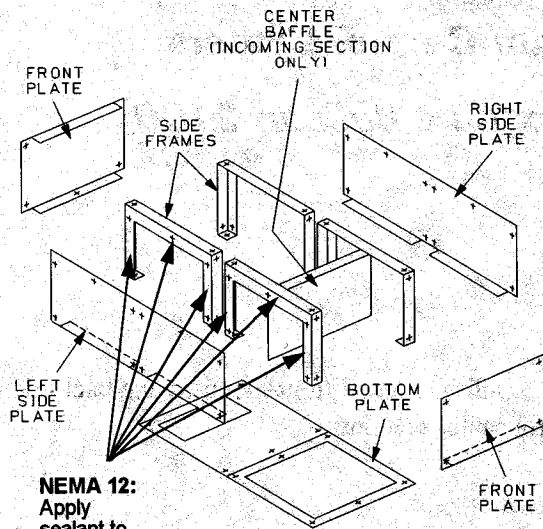


Figure 3
Pull-Box Kit, Back-To-Back Sections



NEMA 12:
 Apply sealant to all side frames

NEMA 12:
 Apply sealant to all side frames as indicated. Follow application directions on the tube. Apply a 1/8" continuous bead.

Figure 4
Assembling the parts

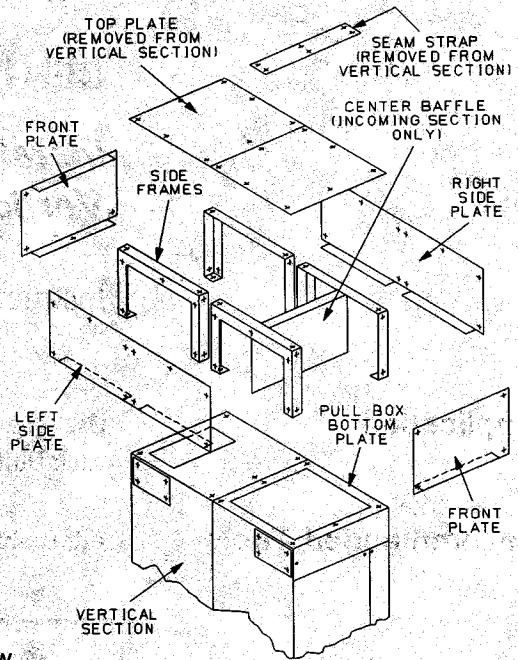
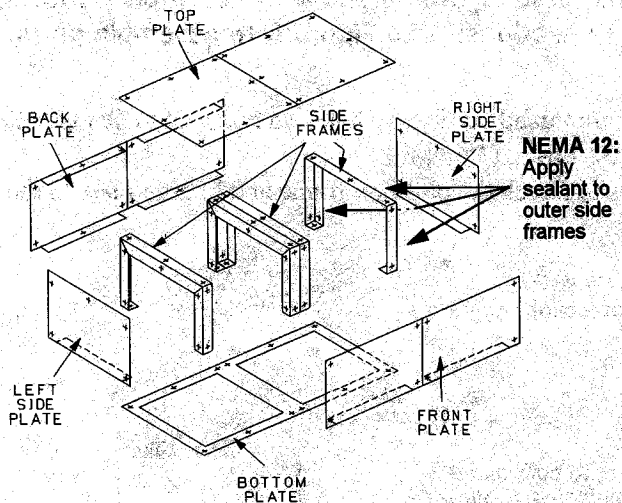


Figure 5
Pull-Box Kit, 40" Wide Sections



NEMA 12:
 Apply sealant to outer side frames



Packaged Control Products
 Milwaukee, Wisconsin 53204 U.S.A.

Publication 2100-5.28 - May, 1995

Copyright© 1995, Allen-Bradley Company, Inc.
 Printed in U.S.A.