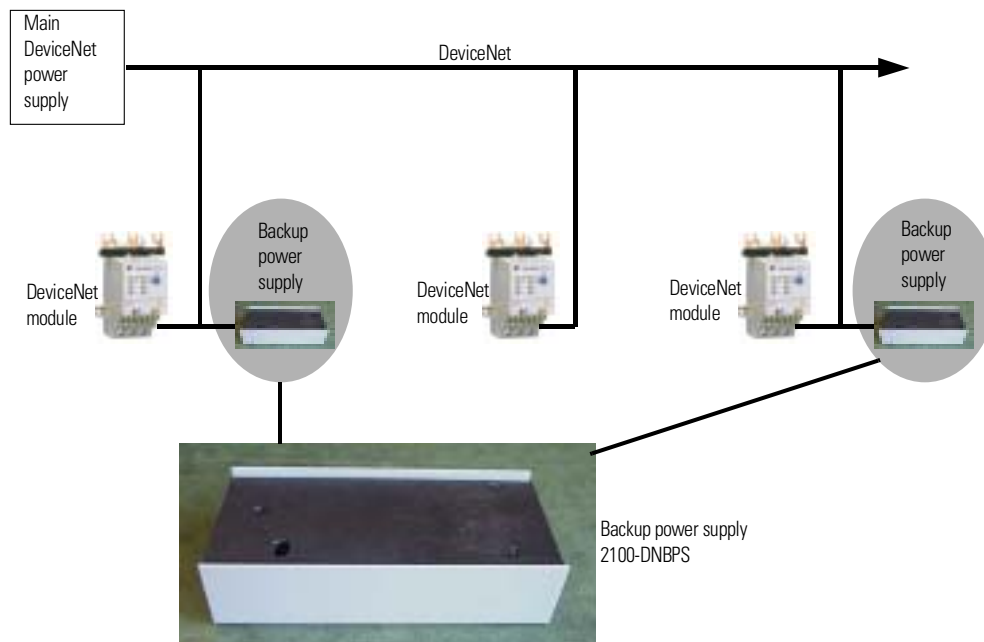


# Backup Power Supply 2100-DNBPS

## General Description



DeviceNet™ devices generally allow the user to pre-select the behavior of the device if communication is lost. Choices typically include “turn ON,” “turn OFF,” and “hold last state.” However, some DeviceNet devices require the 24Vdc which is carried on the DeviceNet cable to maintain the ability to pre-select the behavior the user desires.

The 2100-DNBPS backup power supply provides a temporary secondary 24Vdc source for individual DeviceNet nodes, thereby

allowing the user to define the behavior (turn ON, turn OFF, or hold last state) of the device when the DeviceNet connection is lost due to

- Main DeviceNet power supply failure
- Severed DeviceNet trunk line
- Severed DeviceNet drop line
- Shorted DeviceNet network cable
- Poor DeviceNet cable connections

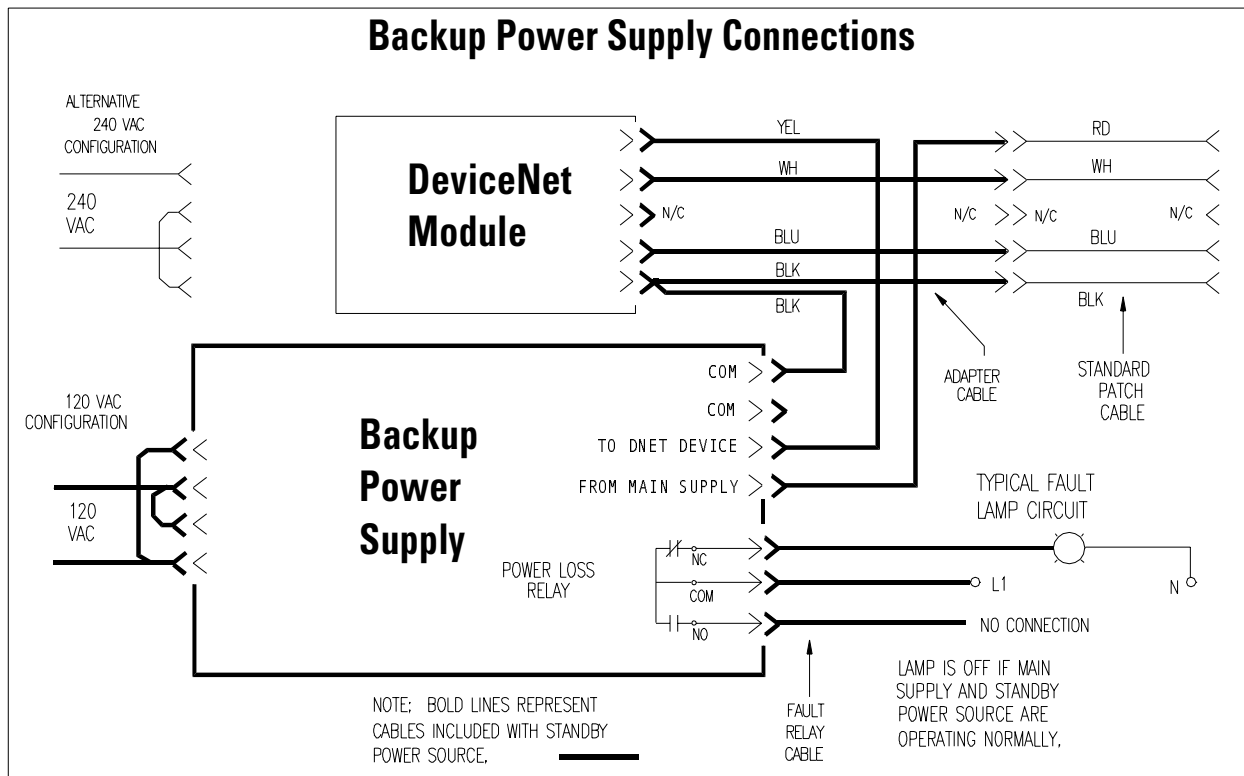
In the case of motor control centers (MCCs), the 2100-DNBPS backup power supply can be placed in specific units, allowing those units to behave in the manner the user desires upon DeviceNet power loss. Examples of Allen-Bradley devices enhanced by the 2100-DNBPS include the E3 overload relay, DeviceNet Starter Auxiliary (DSA), and 2100-GK61 communication module.

## Features

The backup power supply provides the following features:

- Automatic seamless transfer of DeviceNet power
- No loss of component function
- Ability to maintain component transfer functions with main DeviceNet power interruption
- Internal isolator to prevent backfeed into network
- Form C fault detection contacts
- Automatic re-transfer when main DeviceNet power recovers

## Applications



## Specifications

- Regulation: 3% or better
- Output volts: 14.7 Vdc
- Output amperes: 250 milliamperes
- Input volts: 120 Vac or 240 Vac
- Ripple/noise: 50mV maximum
- Contact rating: 5 amperes, 240 Vac
- Maximum single wire size for terminals: 12 AWG
- Max # of conductors: 2 with same max cross section of 1.5 mm
- Terminal torque: 0.5-0.6 Nm (5-6 lb./in.)
- Operating temperature: 0 to 60°C
- Non-operating temperature: -40 to 85°C
- Humidity: 0 to 95% non-condensing
- Vibration: 2.5g 5Hz-2kHz
- Shock: 30g 11mS half cycle
- Seismic: UBC zone 4

**[www.rockwellautomation.com](http://www.rockwellautomation.com)**

**Corporate Headquarters**

Rockwell Automation, 777 East Wisconsin Avenue, Suite 1400, Milwaukee, WI 53202-5302 USA, Tel: (1) 414.212.5200, Fax: (1) 414.212.5201

**Headquarters for Allen-Bradley Products, Rockwell Software Products, and Global Manufacturing Solutions**

Americas: Rockwell Automation, 1201 South Second Street, Milwaukee, WI 53204-2496 USA, Tel: (1) 414.382.2000, Fax: (1) 414.382.4444

Europe/Middle East/Africa: Rockwell Automation SA/NV, Vortstlaan/Boulevard du Souverain 36-BP 3A/B, 1170 Brussels, Belgium, Tel: (32) 2 663 0600, Fax: (32) 2 663 0640

Asia Pacific: Rockwell Automation, 27/F Citicorp Centre, 18 Whitfield Road, Causeway Bay, Hong Kong, Tel: (852) 2887 4788, Fax: (852) 2508 1846

**Headquarters for Dodge and Reliance Electric Products**

Rockwell Automation, 6040 Ponders Court, Greenville, SC 29615-4617 USA, Tel: (1) 864.297.4800, Fax: (1) 864.281.2433