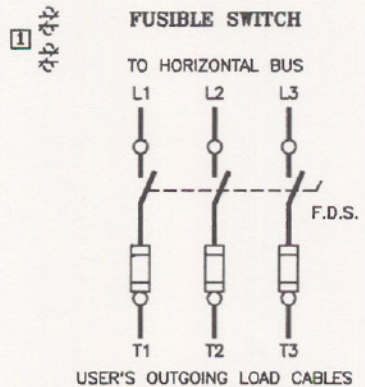




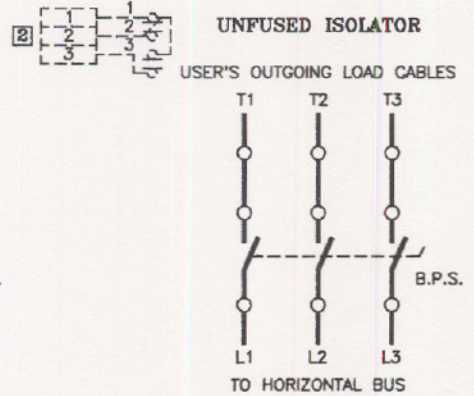
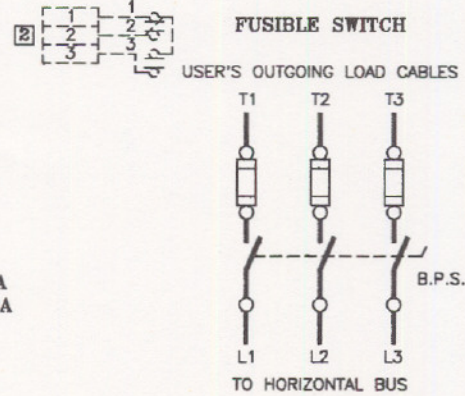
CENTERLINE® MOTOR CONTROL CENTERS

Bulletin 2192F • 3-Pole Feeder Disconnect Switches

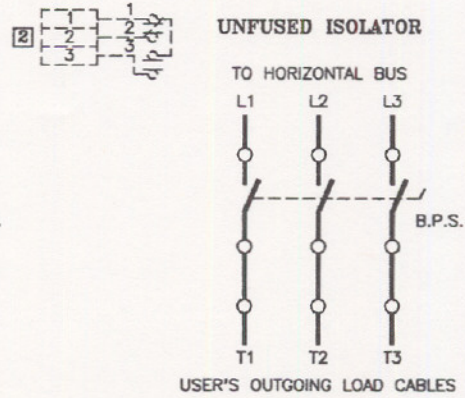
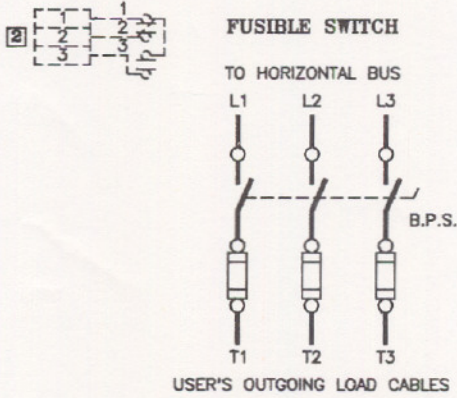


PLUG-IN FEEDERS: 30A, 60A, 100A, 200A
TOP OR BOTTOM MOUNTED FEEDERS: 400A

WARNING
LINE SUPPLY CONNECTED TO
BOTTOM OF SWITCH
DE-ENERGIZE MAIN BUS
BEFORE SERVICING UNIT
DROPPED TOOLS MAY SHORT
LINE TERMINALS



TOP MOUNTED FEEDERS ONLY: 600A, 800A, 1200A



BOTTOM MOUNTED FEEDERS ONLY: 600A, 800A, 1200A

ALLEN-BRADLEY REFERENCES

GENERAL NOTES

1 N.O. or N.C. auxiliary contacts as specified (unwired) for 30A thru 400A switches.

2 N.O./N.C. (form C) auxiliary contact as specified (wired to terminal blocks) for 600A thru 1200A switches.

3 The 30 and 60 Amp fusible disconnect switch is wired to pull-apart power terminal blocks as standard.

Customer _____

User _____

C.O. Number _____

A-B Order Number _____